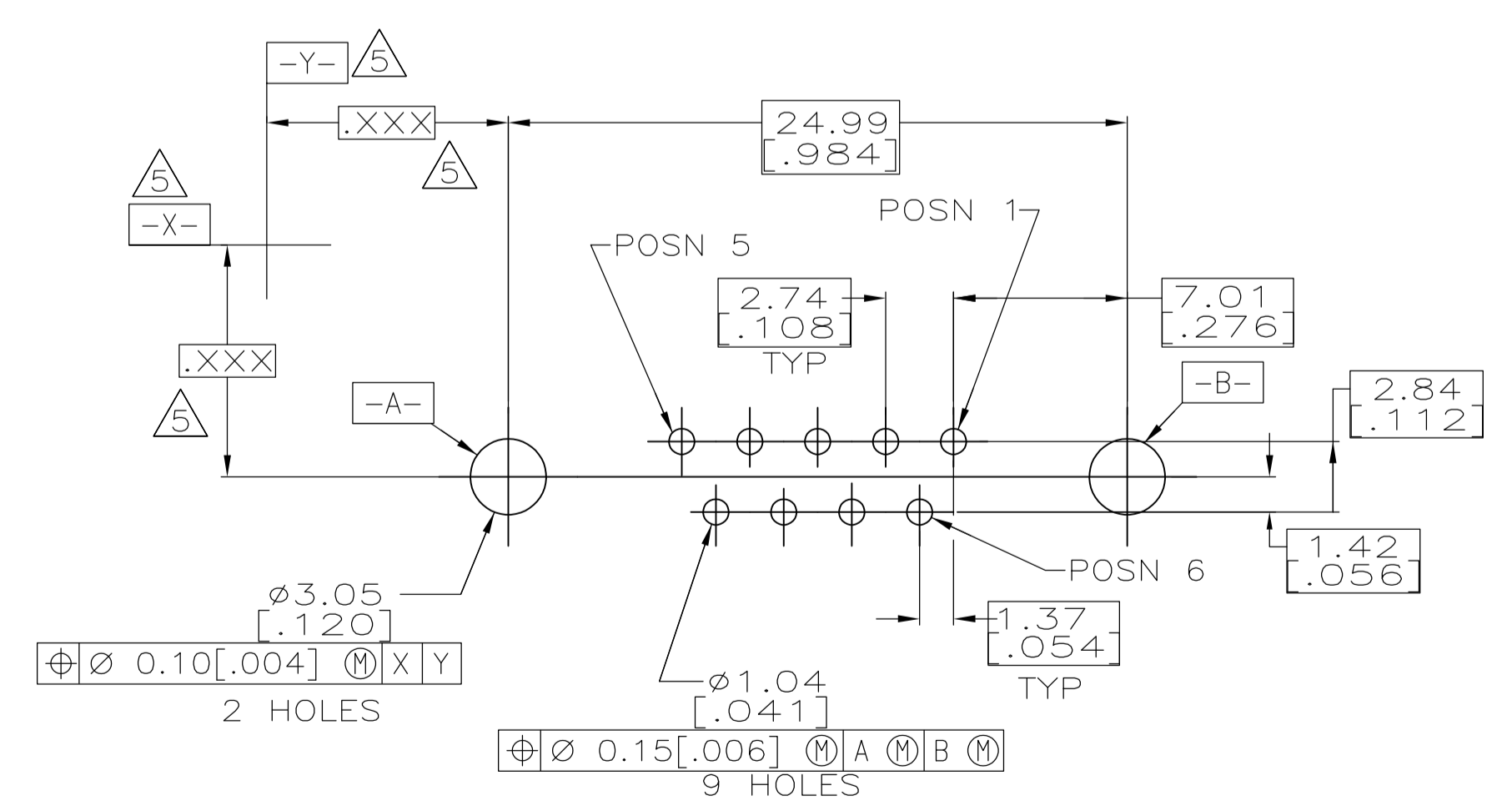
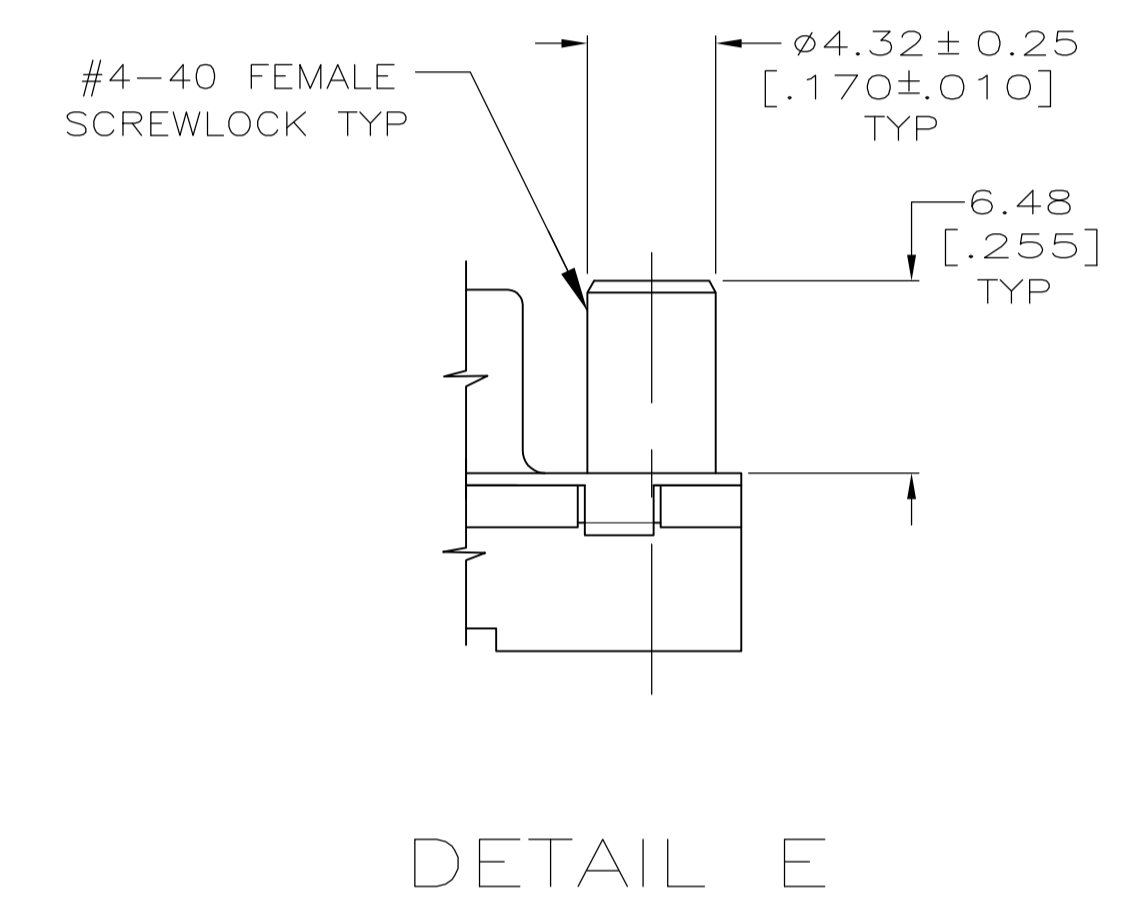
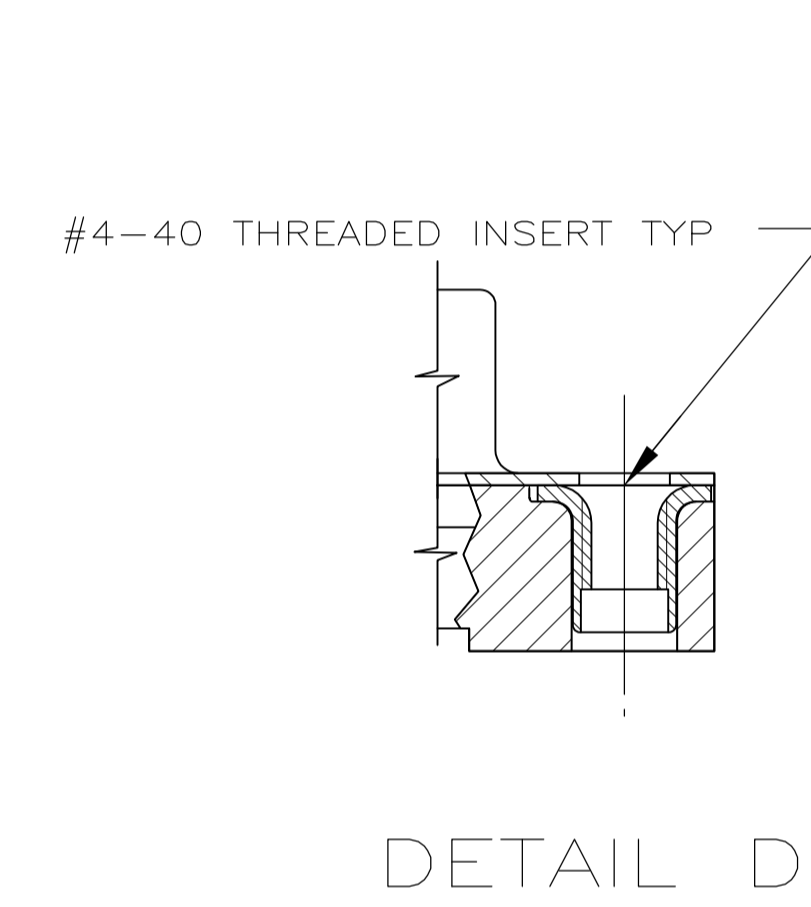
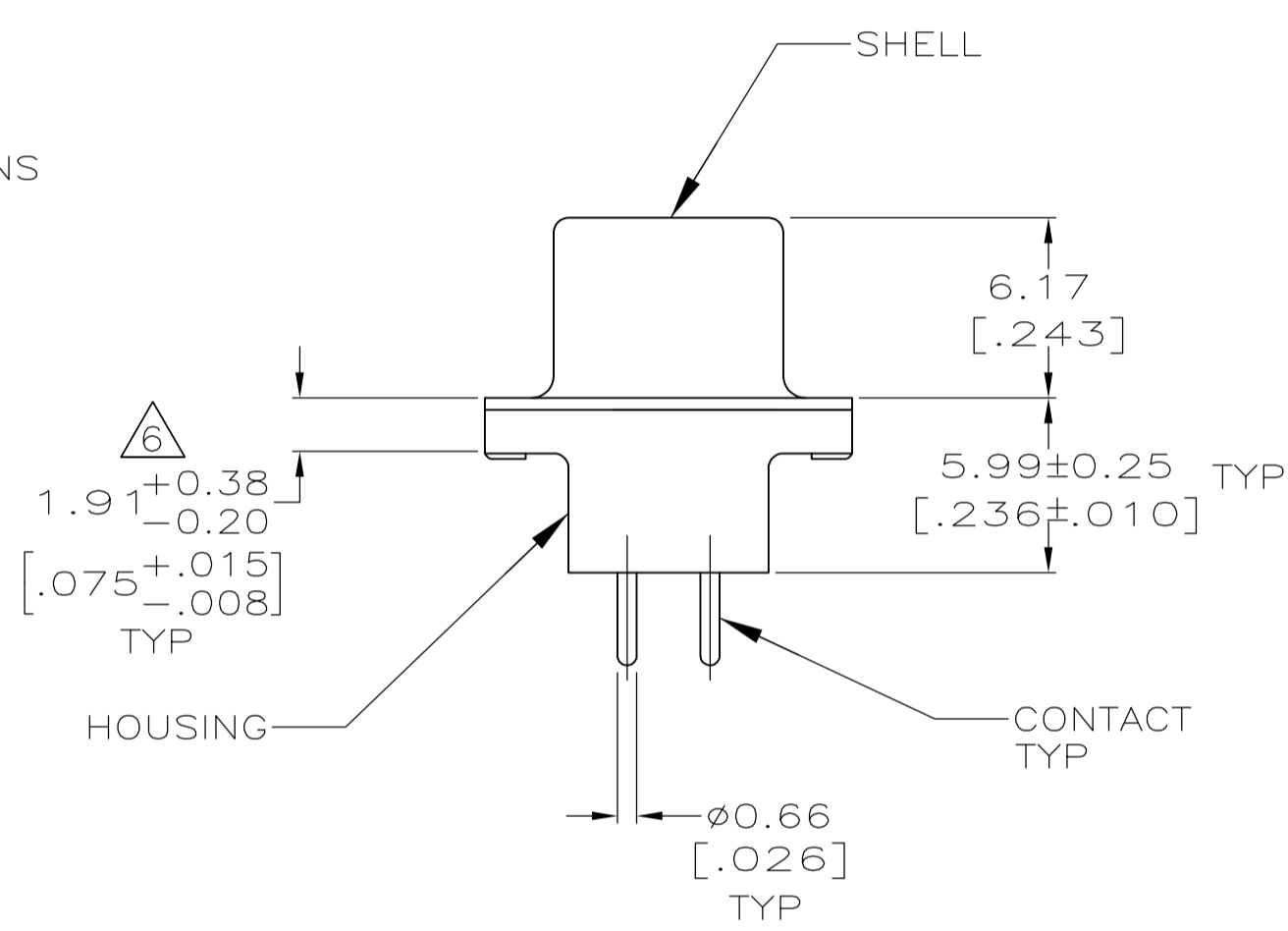
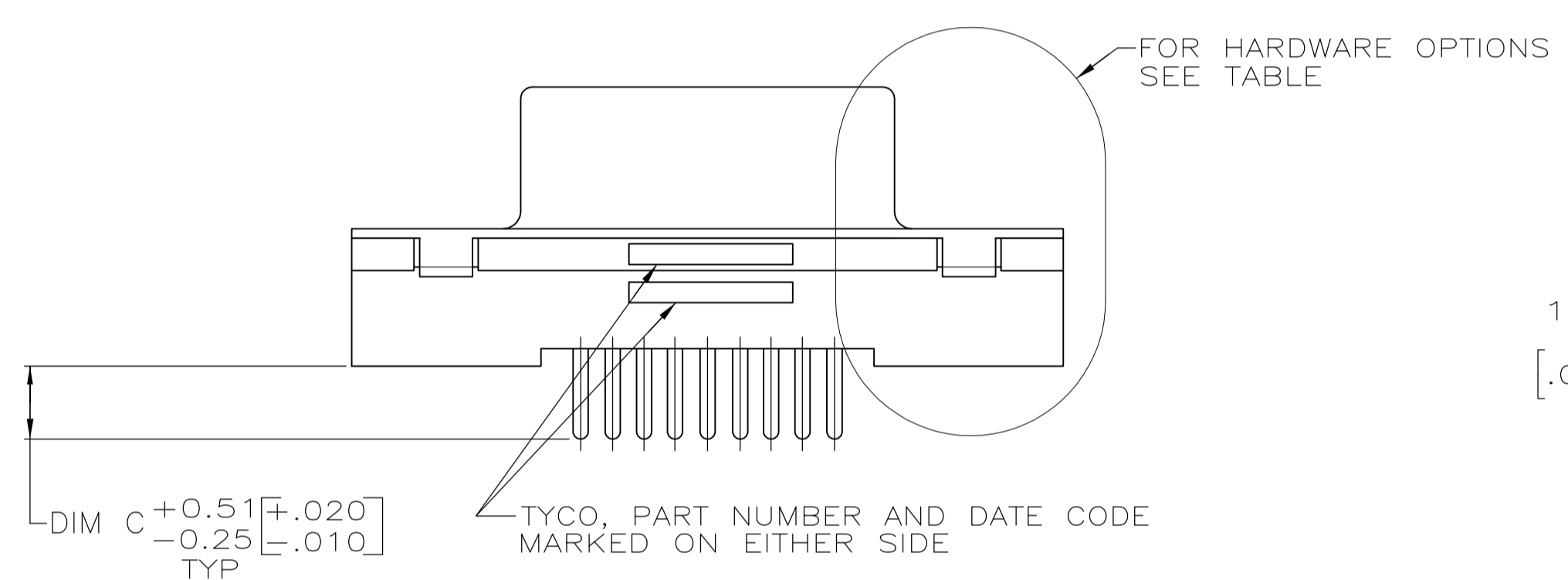
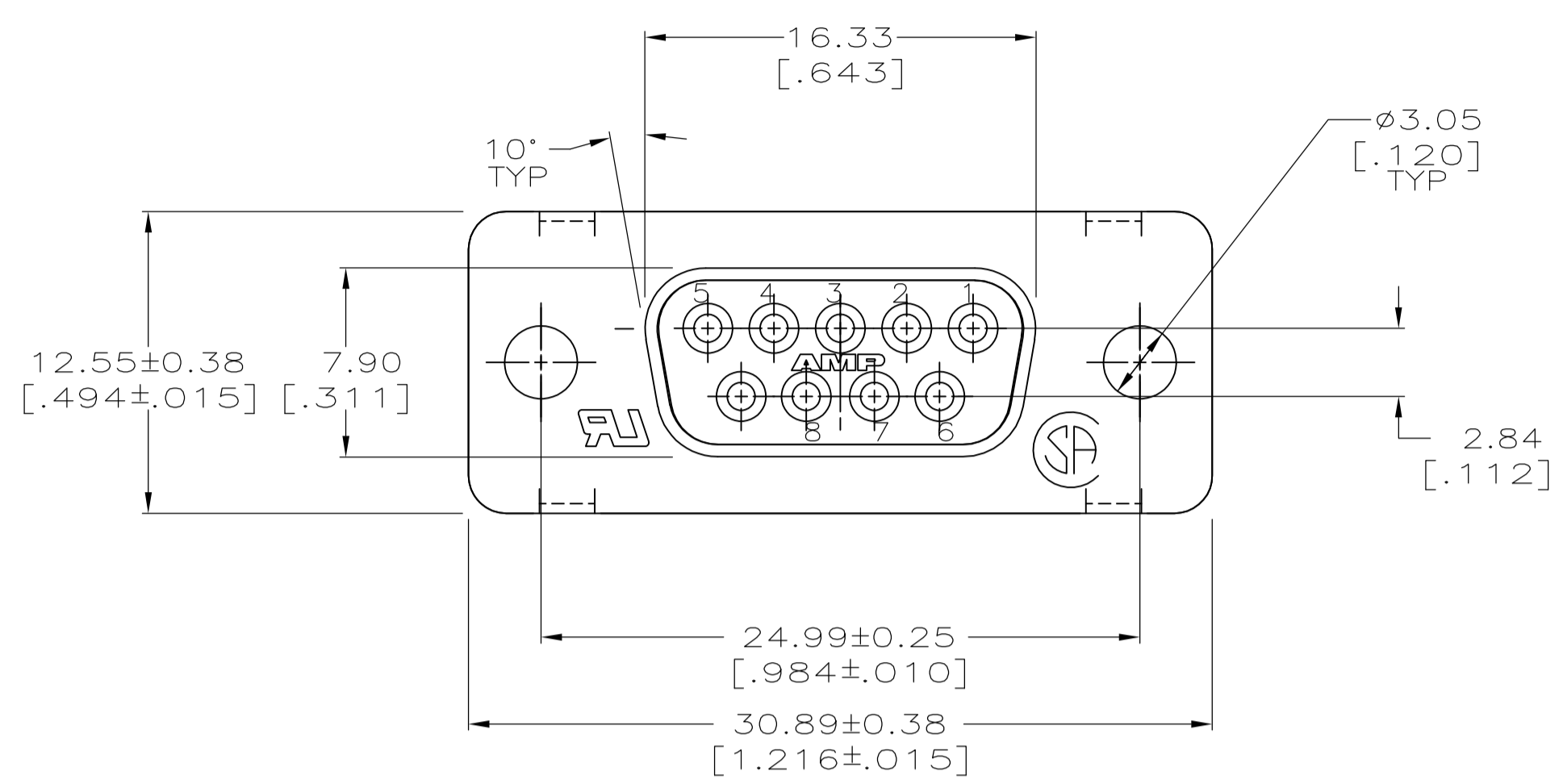


LOC	DIST	REVISIONS				
GP	00	REV	DESCRIPTION	DATE	OWN	APVD
A1		REVISED PER	ECO-11-004835	11MAR11	RK	HMR



RECOMMENDED PC BOARD LAYOUT
CONNECTOR SIDE OF PC BOARD

- ⚠ MATERIAL:
HOUSING: POLYESTER, UL 94V-0 RATED, BLACK.
SHELL: CARBON STEEL.
CONTACTS: PHOS. BRONZE.
SCREWLOCKS: ZINC
INSERTS: BRASS
- ⚠ FINISH:
SHELL: 5.08um [.000200] MIN TIN OVER 2.54um [.000100] MIN COPPER.
CONTACTS: SEE TABLE.
- ⚠ GOLD FLASH FOR A LENGTH OF 2.54[.100] MIN FROM MATING END, 2.54um [.000100] MIN TIN ON OPPOSITE END, OVER 1.27um [.000050] MIN NICKEL.
- ⚠ 0.76um [.000030] MIN GOLD FOR A LENGTH OF 2.54 [.100] MIN FROM MATING END, 2.54um [.000100] MIN TIN ON OPPOSITE END, OVER 1.27um [.000050] MIN NICKEL.
- ⚠ DATUMS AND BASIC DIMENSIONS ESTABLISHED BY CUSTOMER.
- ⚠ 2.79[.110] MAX IN SHELL TAB CLINCH AREAS.

DESCRIPTION	REV	DESCRIPTION	DATE	OWN	APVD
W/FEMALE SCREWLOCKS PER DETAIL E	4	4.32 [.170]	1-5747150-6		
	4	3.18 [.125]	1-5747150-4		
	3	3.18 [.125]	1-5747150-3		
W/THREADED INSERTS PER DETAIL D	5	4.32 [.170]	5747150-9		
	4	3.18 [.125]	5747150-8		
	3	3.18 [.125]	5747150-7		
WO/FEMALE SCREWLOCKS OR THREADED INSERTS AS SHOWN	4	4.32 [.170]	5747150-4		
	4	3.18 [.125]	5747150-2		
HARDWARE OPTIONS		CONTACTS FINISH	C		PART NO

THIS DRAWING IS A CONTROLLED DOCUMENT.

DIMENSIONS: MM [INCHES]	TOLERANCES UNLESS OTHERWISE SPECIFIED:	DWG: B. MCMASTER 18MAY05	CHK: S. BOLASH 18MAY05	APVD: M. WALMSLEY 18MAY05	NAME: RECEPTACLE ASSEMBLY, SIZE 1, 9 POSITION FRONT METAL SHELL, WITH OR WITHOUT SCREWLOCKS OR INSERTS.
0 PLC ± -	1 PLC ± -	2 PLC ± 0.13 [.005]	3 PLC ± -	4 PLC ± -	ANGLES ± -
MATERIAL	FINISH	WEIGHT	SIZE: A1	CAGE CODE: 00779	DRAWING NO: 5747150
CUSTOMER DRAWING		SCALE: 4:1	SHEET: 1 OF 1	REV: A1	