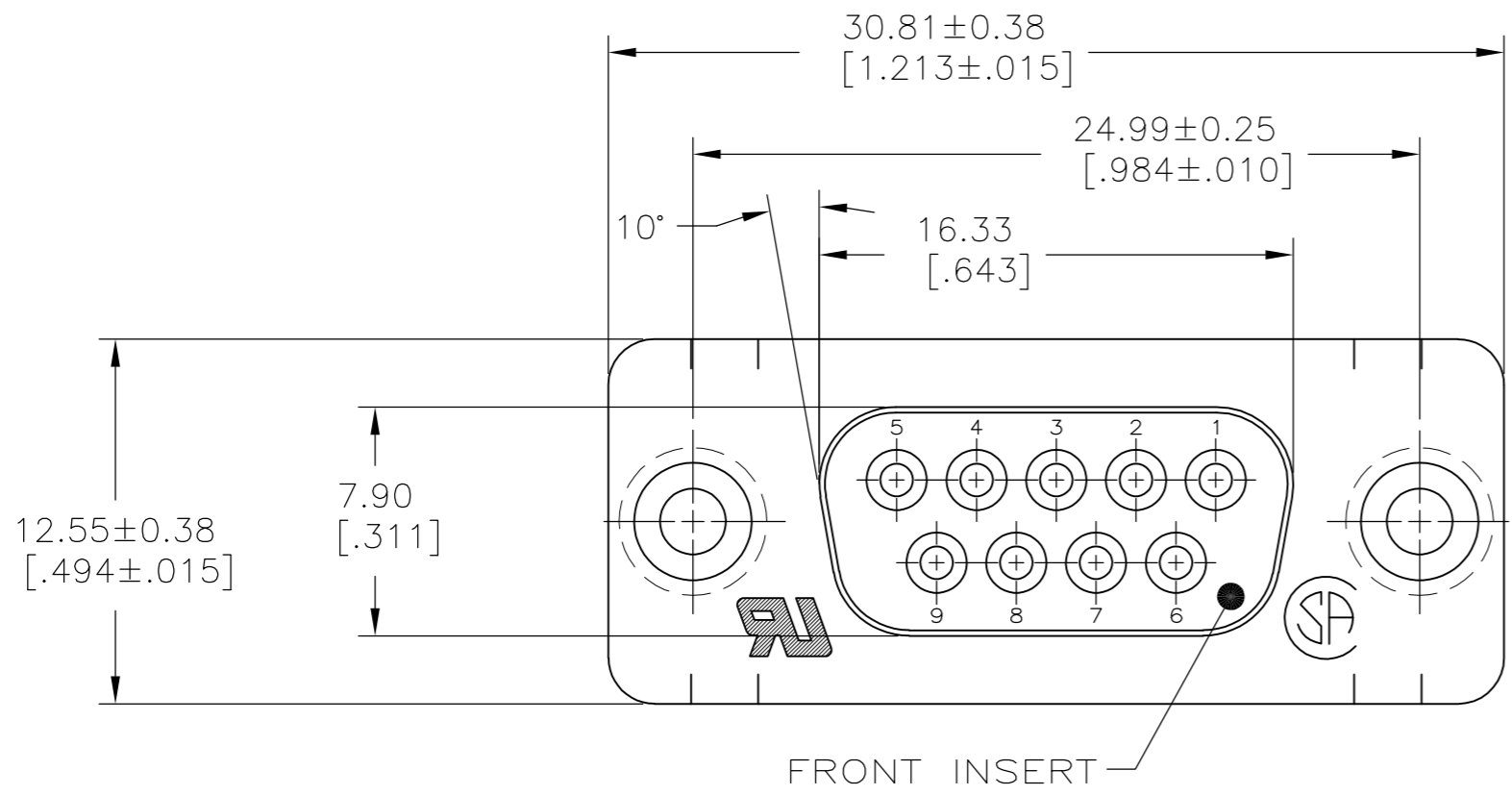
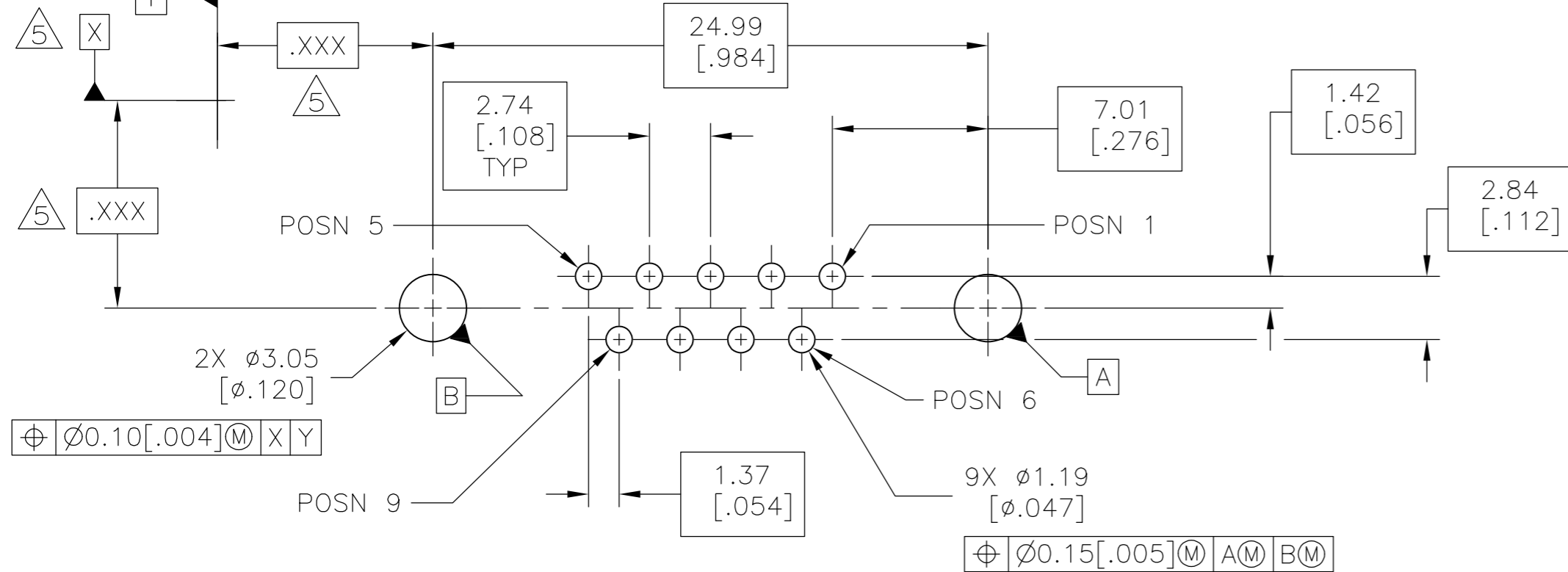
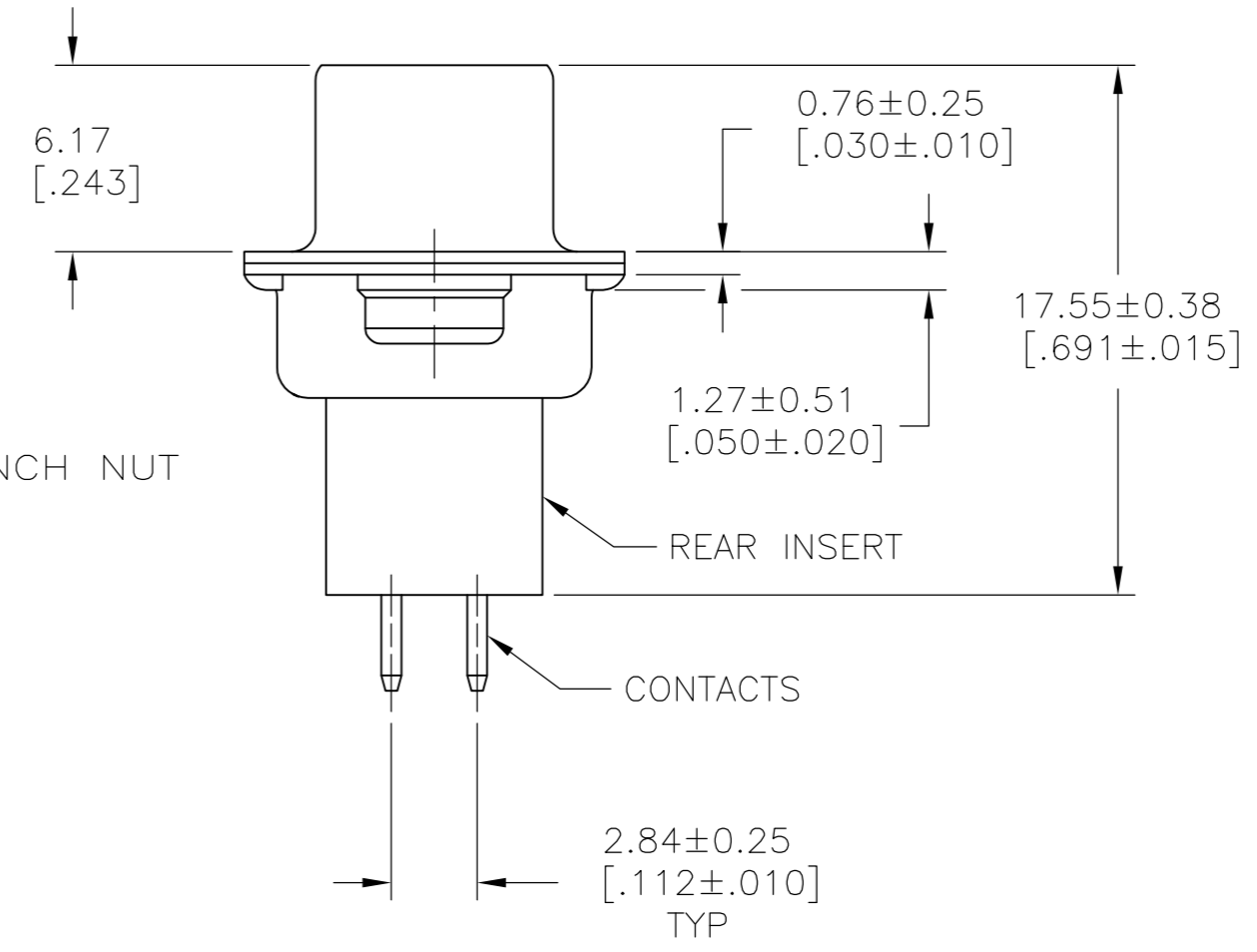
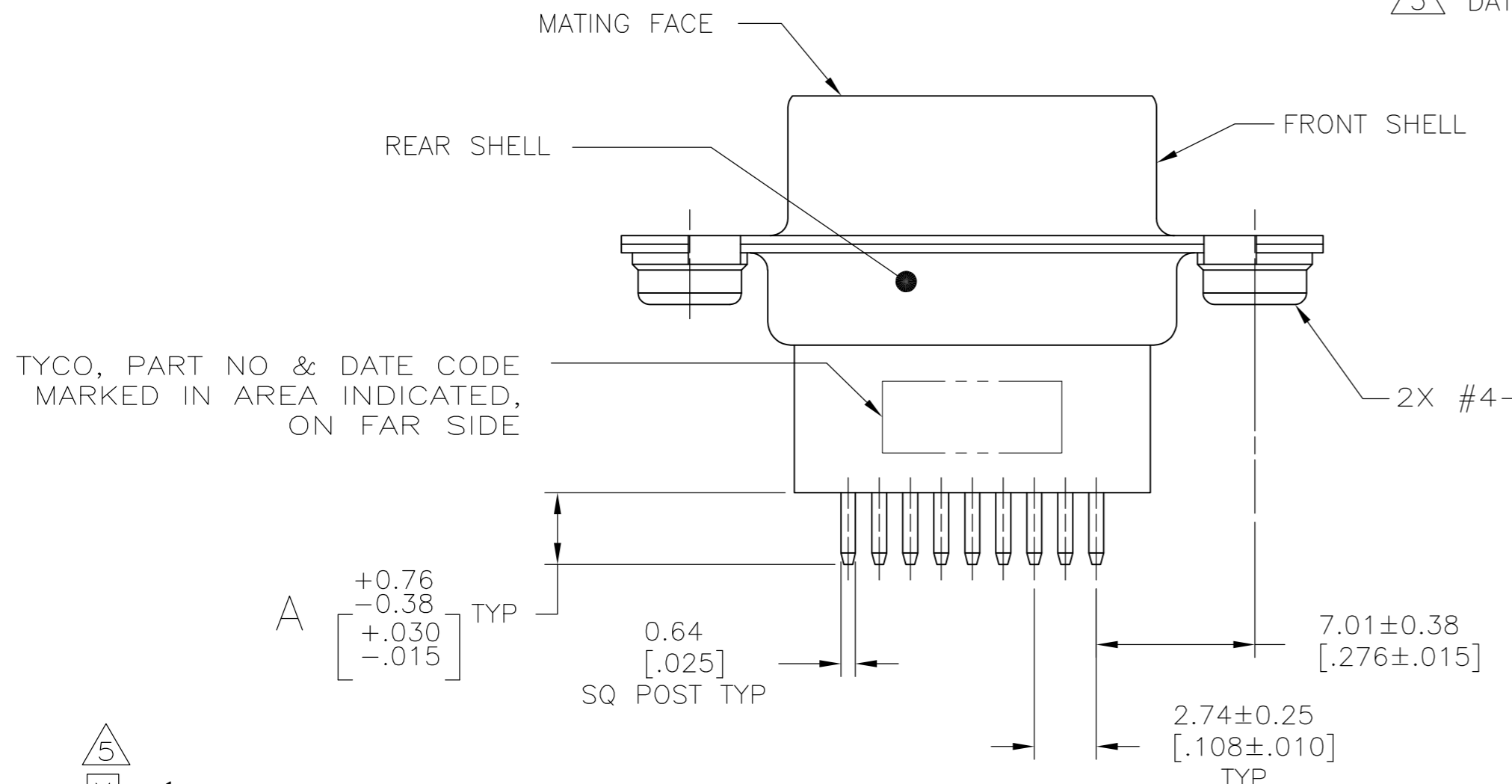


THIS DRAWING IS UNPUBLISHED. RELEASED FOR PUBLICATION  
 © COPYRIGHT - E ALL RIGHTS RESERVED.

LOC		DIST		REVISIONS			
P	LTR	DESCRIPTION		DATE	DWN	APVD	
GP	00	E		REVISED PER ECO-14-011808	12AUG2014	AP	SB



- 1 MOLDED PARTS: GLASS-FILLED PBT OR GLASS-FILLED NYLON, UL94V-0 RATED. COLOR: BLACK.  
SHELLS: CARBON STEEL  
CLINCH NUTS: CARBON STEEL  
CONTACTS: PHOSPHOR BRONZE
- 2 SHELLS: 5.08 μm [.000200] MIN TIN OVER 2.54 μm [.000100] MIN COPPER.  
CONTACTS: SEE TABLE  
CLINCH NUTS: CLEAR CHROMATE OVER ZINC PLATING.
- 3 GOLD FLASH FOR A LENGTH OF 1.90 [.075] MIN FROM MATING END, 2.54 μm [.000100] MIN TIN ON OPPOSITE END, BOTH OVER 1.27 μm [.000050] MIN NICKEL.
- 4 0.76 μm [.000030] MIN GOLD FOR A LENGTH OF 1.90 [.075] MIN FROM MATING END, 2.54 μm [.000100] MIN TIN ON OPPOSITE END, BOTH OVER 1.27 μm [.000050] MIN NICKEL.  
-OR-  
GOLD FLASH OVER PALLADIUM-NICKEL 0.76 μm [.000030] MIN TOTAL FOR A LENGTH OF 1.90 [.075] MIN FROM MATING END, 2.54 μm [.000100] MIN TIN ON OPPOSITE END, BOTH OVER 1.27 μm [.000050] MIN NICKEL.
- 5 DATUMS AND BASIC DIMENSIONS ESTABLISHED BY CUSTOMER.



RECOMMENDED PC BOARD LAYOUT  
CONNECTOR SIDE OF BOARD

4	10.85 [.427]	5747190-5
4	4.78 [.188]	5747190-4
4	3.18 [.125]	5747190-2
3	3.18 [.125]	5747190-1
CONTACT FINISH		A PART NO

THIS DRAWING IS A CONTROLLED DOCUMENT.		DWN B. LATTUCA 21SEPT05		
DIMENSIONS: mm [INCHES]		CHK S. BOLASH 21SEPT05		
TOLERANCES UNLESS OTHERWISE SPECIFIED:		APVD M. WALMSLEY 21SEPT05	NAME	
0 PLC ± -		PRODUCT SPEC	RECEPTACLE ASSEMBLY, SIZE 1, 9 POS., VERTICAL, .025 SQ. POSTS, W/CLINCH NUTS, AMPLIMITE HDP	
1 PLC ± -		APPLICATION SPEC	SIZE	CAGE CODE
2 PLC ± .013 [.005]		108-40025	A2	00779
3 PLC ± -		114-40013	DRAWING NO	
4 PLC ± -		WEIGHT	C=5747190	
ANGLES ± -		CUSTOMER DRAWING	SCALE	SHEET
FINISH		1	NTS	1 of 1
MATERIAL		2	REV	E