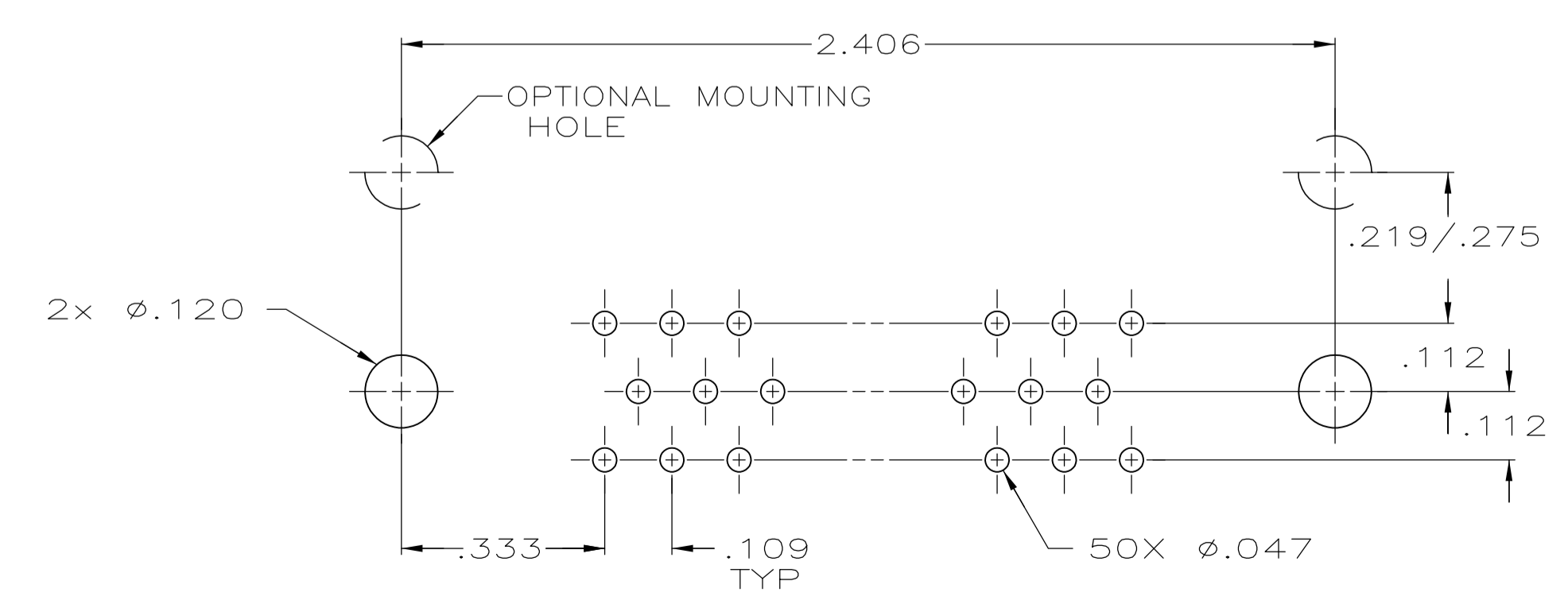
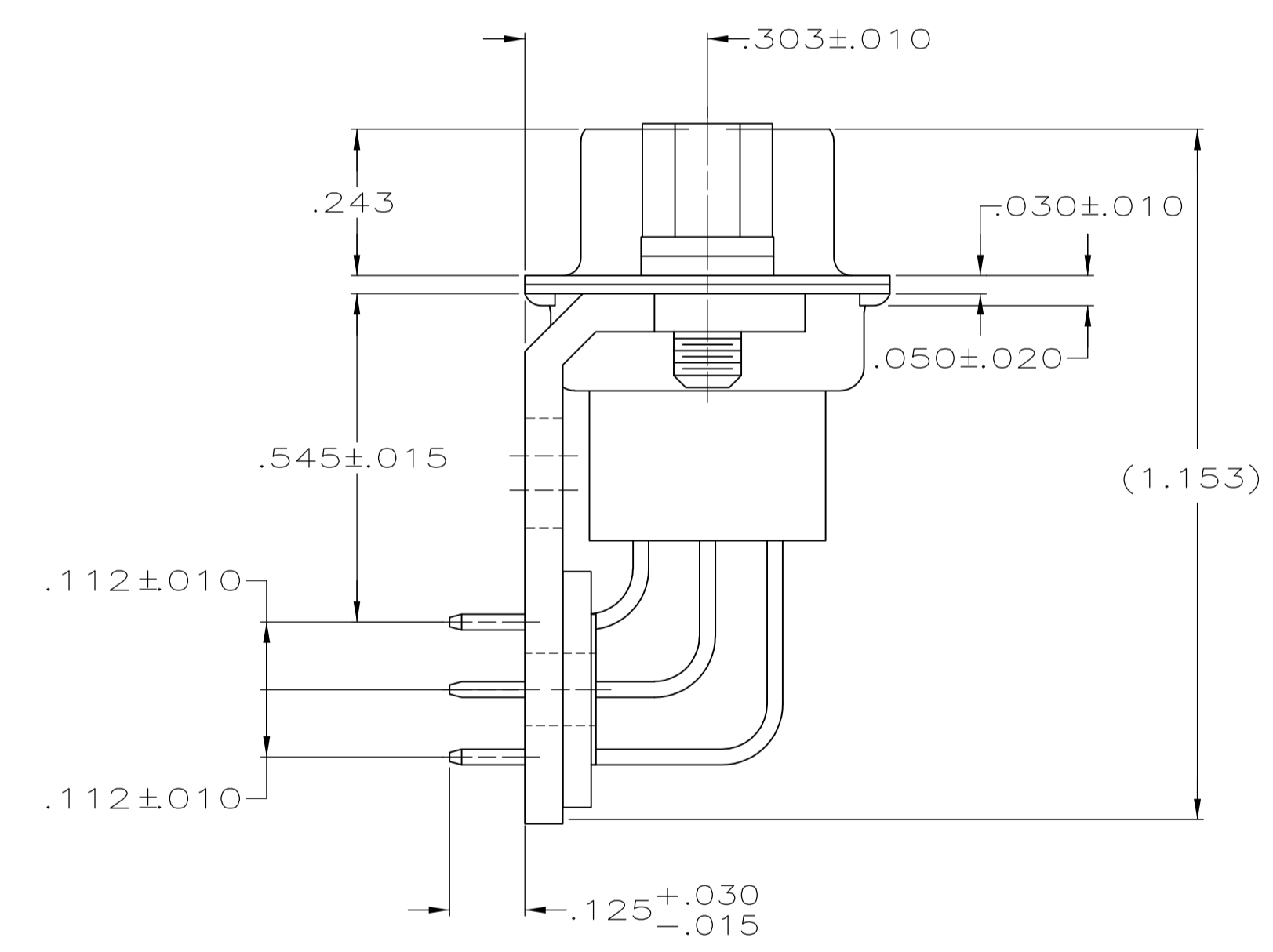
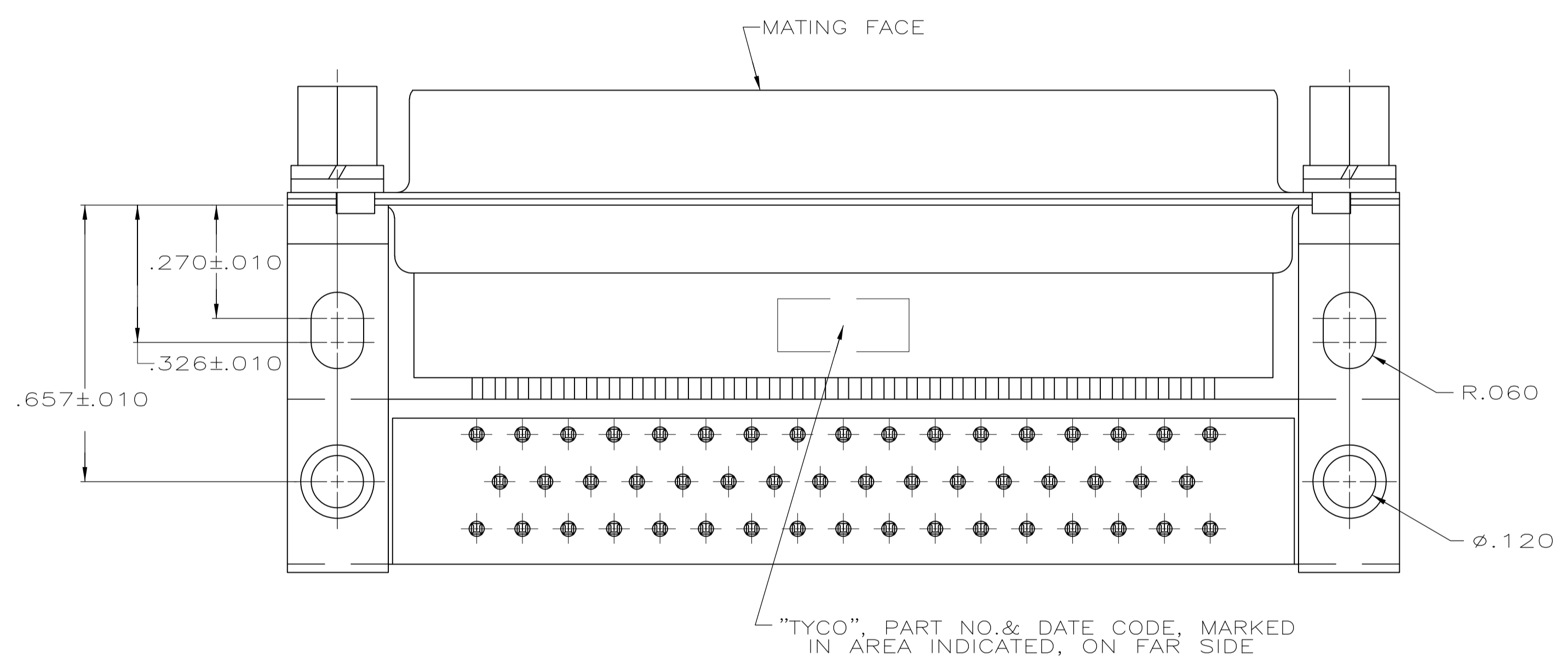


- 1 MOLDED PARTS: GLASS-FILLED PBT OR GLASS-FILLED NYLON, UL94V-0 RATED. COLOR: BLACK.
SHELLS & BRACKETS: CARBON STEEL.
CONTACTS: PHOS BRONZE
SCREWLOCKS AND WASHERS: CARBON STEEL.
- 2 SHELLS: .000200 MIN TIN OVER .000100 MIN COPPER.
BRACKETS: .000200 MIN TIN OVER .000050 MIN COPPER.
SCREWLOCKS AND WASHERS: ZINC PLATED WITH CLEAR CHROMATE COATING.
CONTACTS: SEE TABLE.
- 3 GOLD FLASH FOR A LENGTH OF .100 MINIMUM FROM MATING END, .000100 MINIMUM TIN ON OPPOSITE END, BOTH OVER .000050 MINIMUM NICKEL.
- 4 .000030 MINIMUM GOLD FOR A LENGTH OF .100 MIN FROM MATING END, .000100 MINIMUM TIN ON OPPOSITE END, BOTH OVER .000050 MIN NICKEL.
-OR-
GOLD FLASH OVER .000030 MINIMUM PALLADIUM NICKEL FOR A LENGTH OF .100 MIN FROM MATING END, .000100 MIN TIN ON OPPOSITE END, BOTH OVER .000050 MIN NICKEL.



P.C. BOARD MOUNTING DIMENSIONS

4	5747193-2
3	5747193-1
CONTACT FINISH	PART NUMBER

THIS DRAWING IS A CONTROLLED DOCUMENT.		DIN	D. HENNY	9-4-05
DIMENSIONS: INCHES		CHK	S. BOLASH	9-4-05
TOLERANCES UNLESS OTHERWISE SPECIFIED:		APP'D	M. WALMSLEY	9-4-05
0 PLC ± -		NAME		
1 PLC ± -		RECEPTACLE ASSEMBLY, SIZE 5, 50 POSITION, RIGHT ANGLE, .545 SERIES, .025 SQ. POSTS, WITH SCREWLOCKS, AMPLIMITE HDP		
2 PLC ± -		PRODUCT SPEC		
3 PLC ± .005		108-40025		
4 PLC ± -		APPLICATION SPEC		
ANGLES ± °		114-40013		
MATERIAL	FINISH	SIZE	CAGE CODE	DRAWING NO
1	2	A1	00779	5747193
CUSTOMER DRAWING		SCALE	4:1	SHEET 1 OF 1