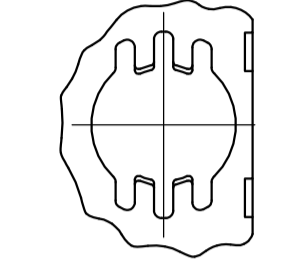
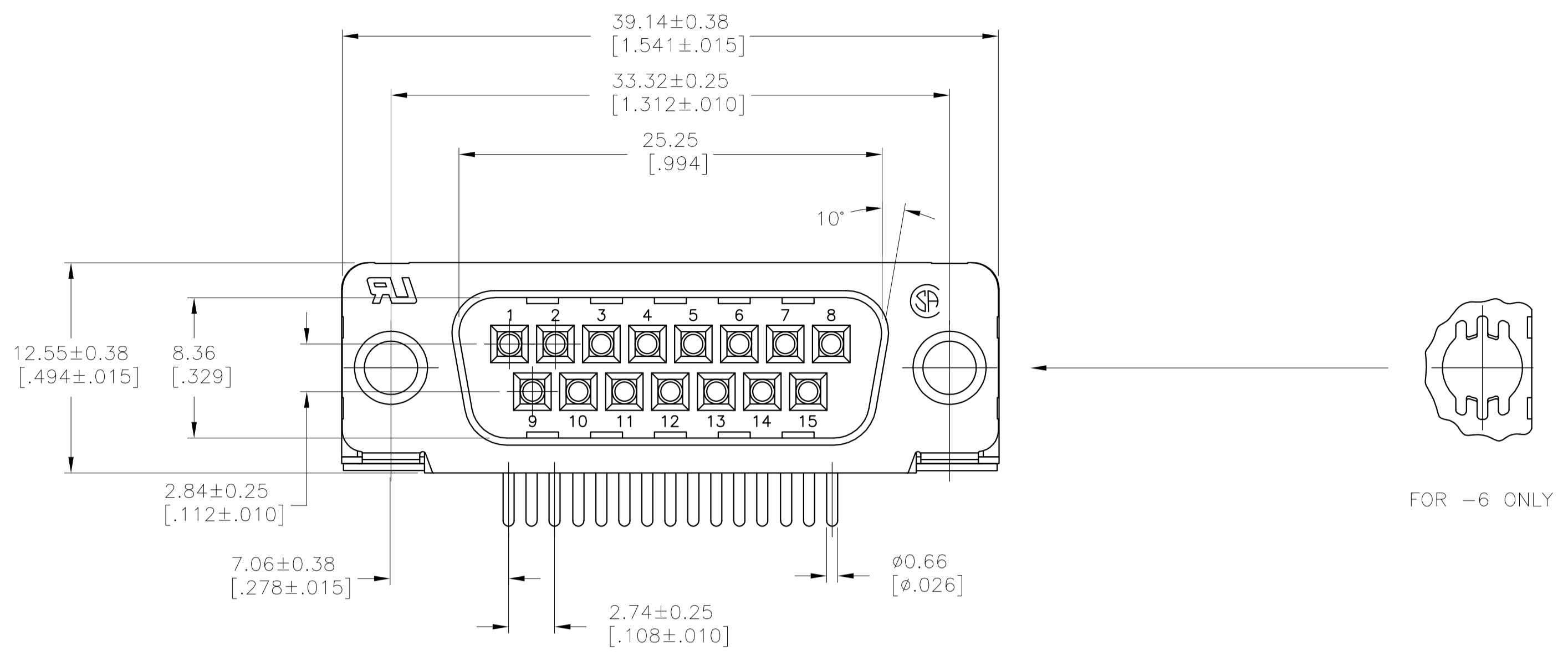


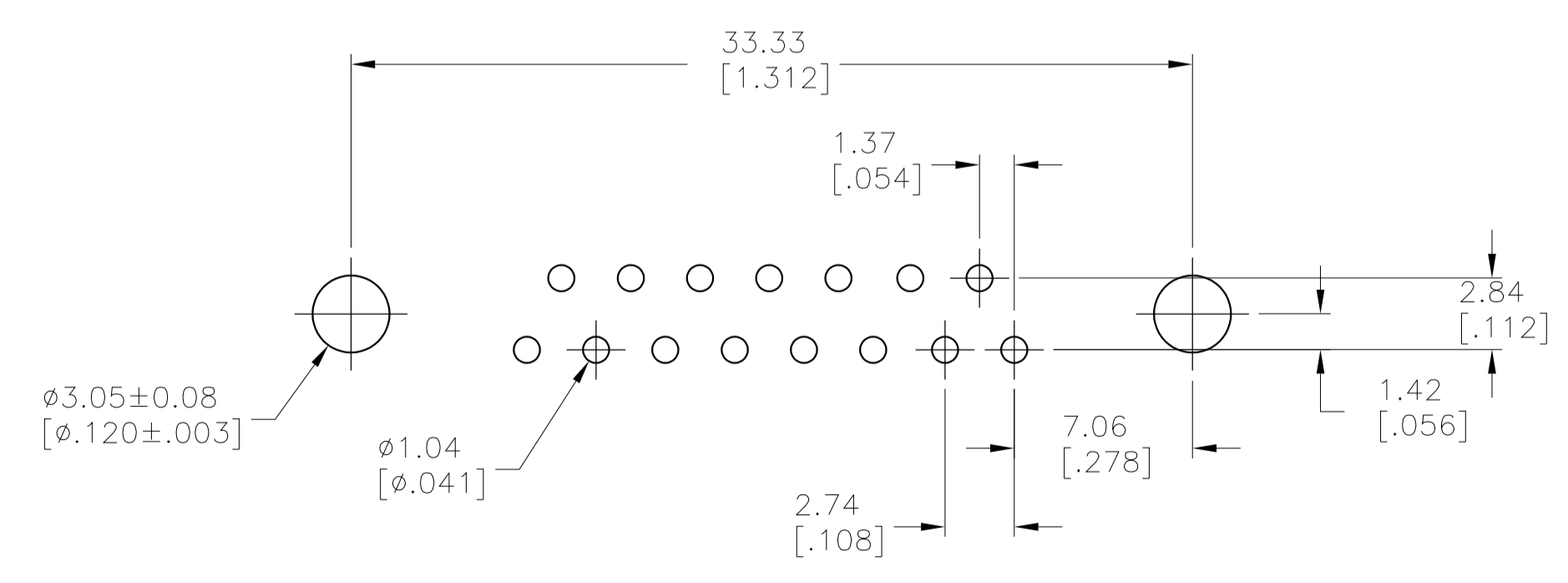
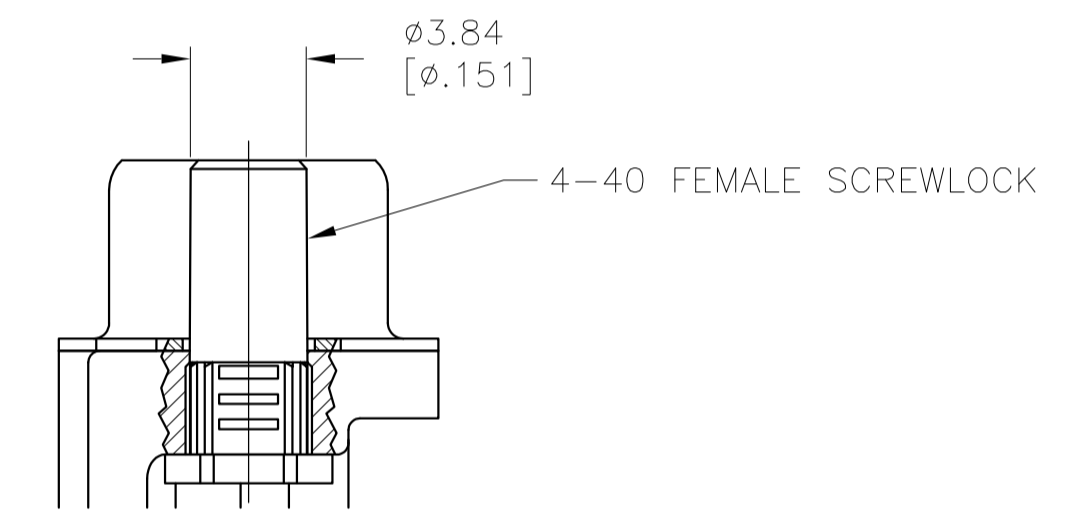
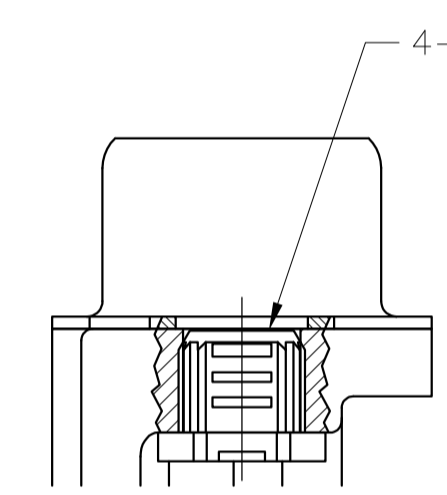
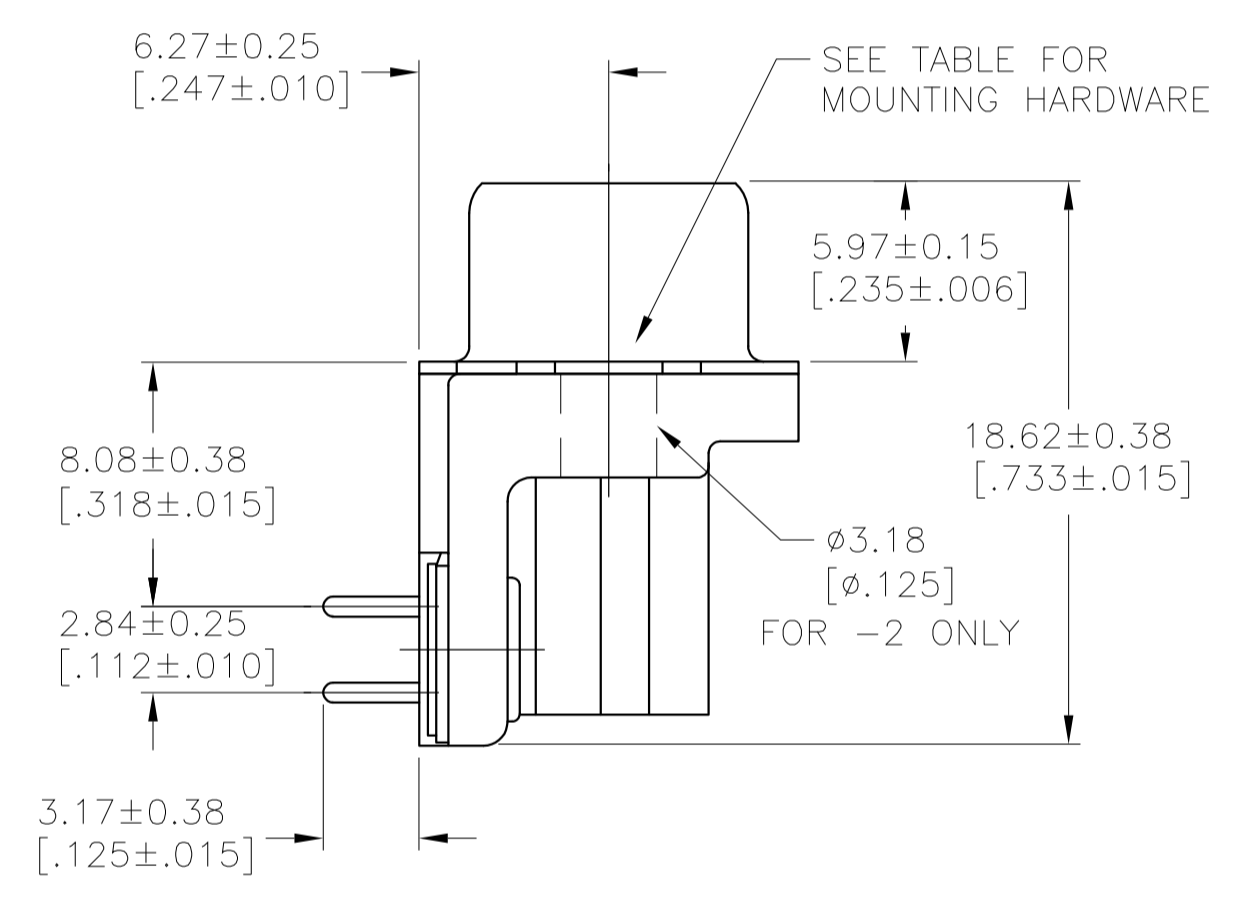
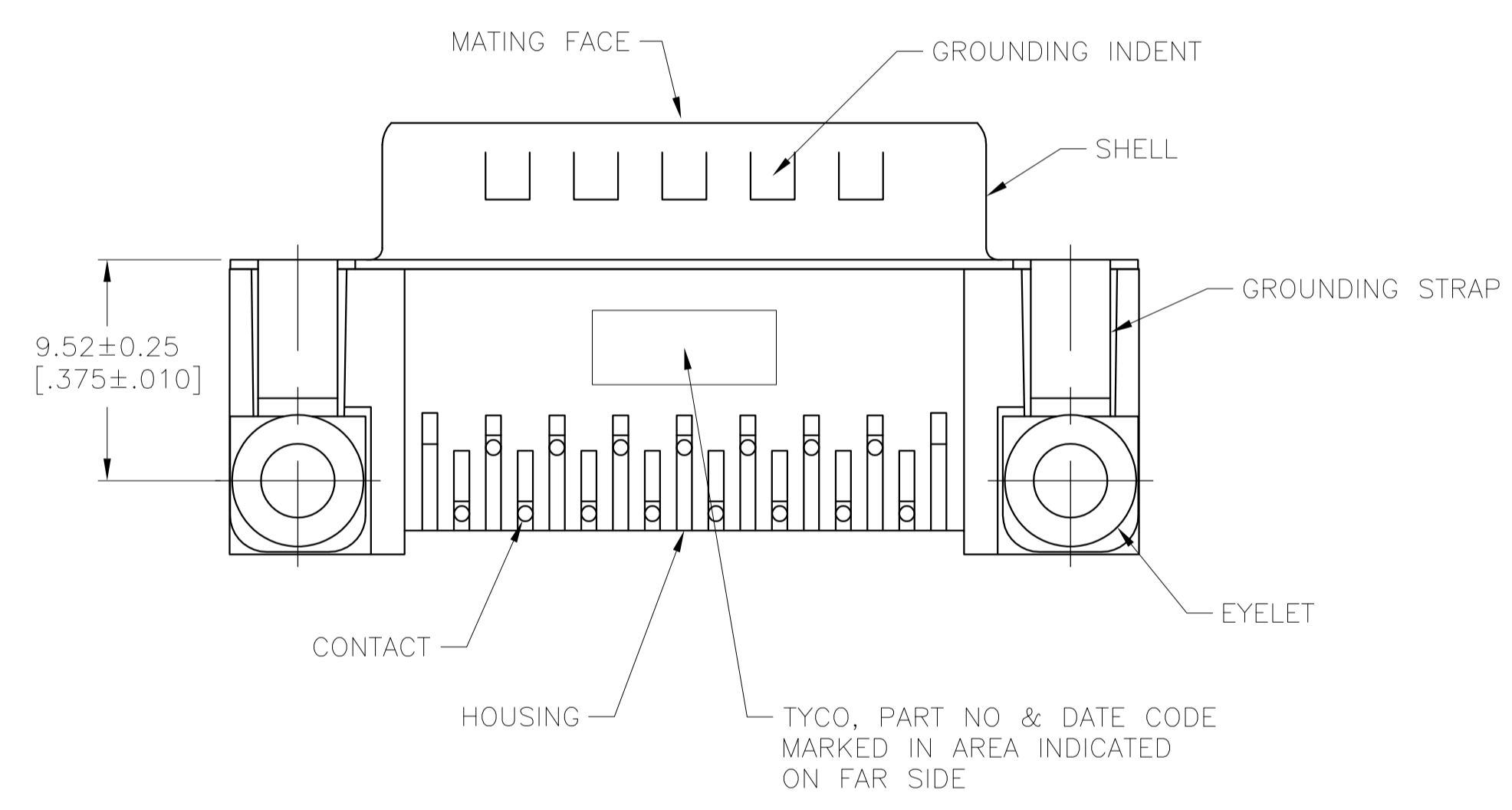
LOC		DIST		REVISIONS			
GP	00	REV	DATE	BY	CHK	APPV	
C		REVISED PER ECO-12-022391	02JAN2013	CJV	SLB		



⚠ HOUSING: NYLON OR POLYESTER, FLAME RETARDANT, 94V-0 RATED, COLOR BLACK.
 SHELL: CARBON STEEL.
 CONTACTS: BRASS.
 EYELETS: BRASS.
 INSERTS: ZINC.
 SCREWLOCKS: ZINC.

⚠ SHELL: 0.00254[.000100] MIN TIN OVER 0.00127[.000050] MIN COPPER.
 CONTACTS: 0.76µm (.000030) MIN GOLD PLATE ON THE MATING SURFACES, 2.54µm (.000100) MIN TIN PLATE ON THE SOLDER END, 1.27µm (.000050) MIN NICKEL UNDERPLATE ON THE ENTIRE CONTACT
 -OR-
 GOLD FLASH OVER PALLADIUM-NICKEL PLATE, 0.76µm (.000030) MIN TOTAL ON THE MATING SURFACES, 2.54µm (.000100) MIN TIN PLATE ON THE SOLDER END, 1.27µm (.000050) MIN NICKEL UNDERPLATE ON THE ENTIRE CONTACT.

EYELETS: 0.00508[.000200] MIN TIN OVER COPPER FLASH.
 INSERTS: CLEAR CHROMATE.
 SCREWLOCKS: CLEAR CHROMATE.



SEE DETAIL B	5747236-6
SEE DETAIL A	5747236-4
NONE	5747236-2
MOUNTING HARDWARE	PART NUMBER

**COPYRIGHT 2005
 TYCO ELECTRONICS CORP
 ALL RIGHTS RESERVED**

THIS DRAWING IS A CONTROLLED DOCUMENT. DIMENSIONING AND TOLERANCING PER ASME Y14.5M-2009		DWG: J.GERACE 14JAN05	DATE: 14JAN05	TE Connectivity
DIMENSIONS: mm(INCHES)		CHK: S.BOLASH 14JAN05	NAME: M.WALMSLEY 14JAN05	
TOLERANCES UNLESS OTHERWISE SPECIFIED:		APPROD: M.WALMSLEY 14JAN05		PRODUCT SPEC: 108-40025 APPLICATION SPEC: 114-40010
0. PLC ± - 1. PLC ± - 2. PLC ± - 3. PLC ± 0.13[.005] 4. PLC ± - ± ° ANGLES ± - ± °		SIZE: A1 CAGE CODE: 00779 DRAWING NO: 5747236		
MATERIAL: ⚠		WEIGHT: -		RESTRICTED TO: -
FINISH: ⚠		CUSTOMER DRAWING		SCALE: 4:1 SHEET: 1 OF 1 REV: C