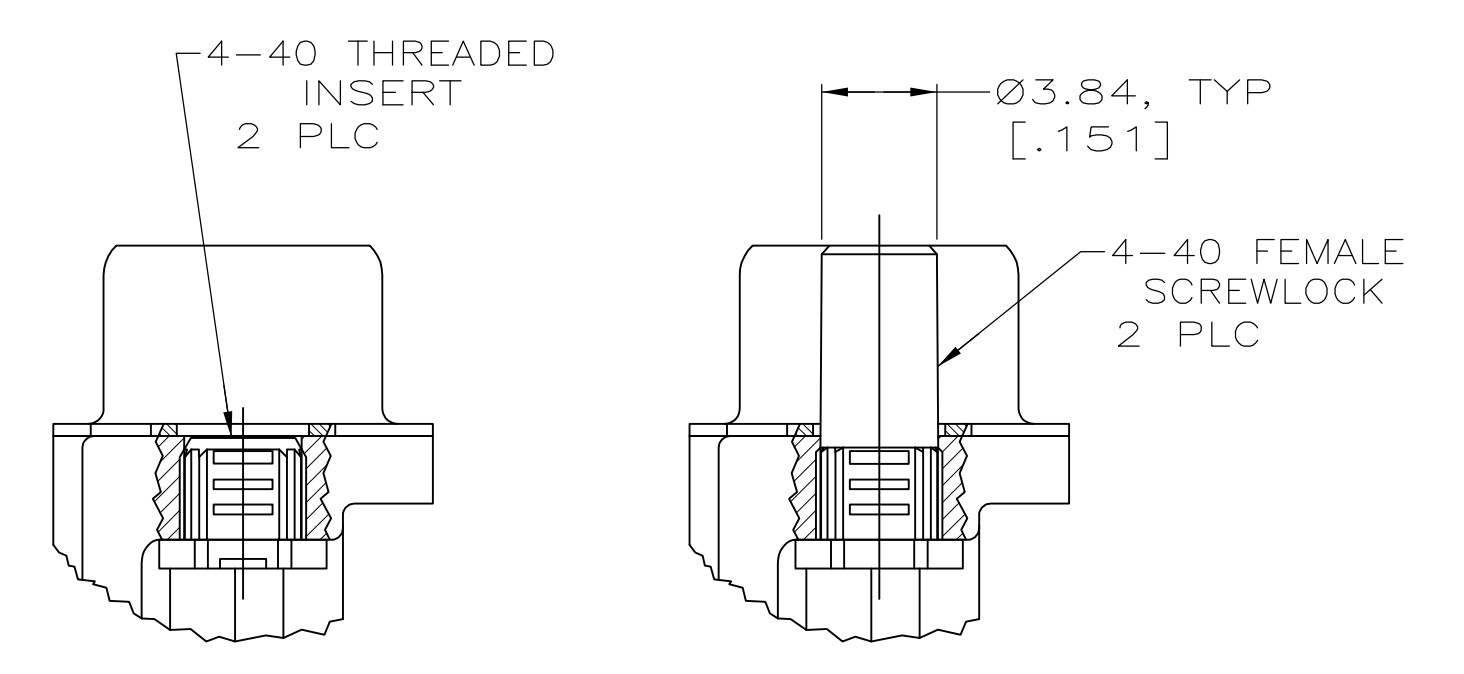
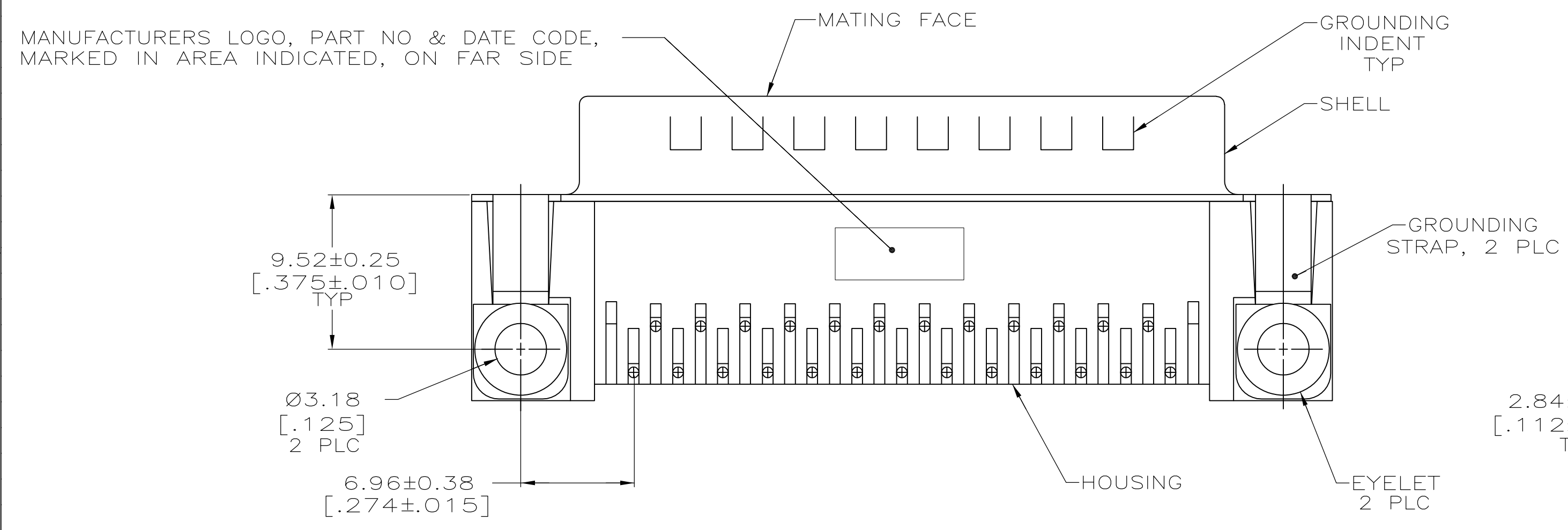
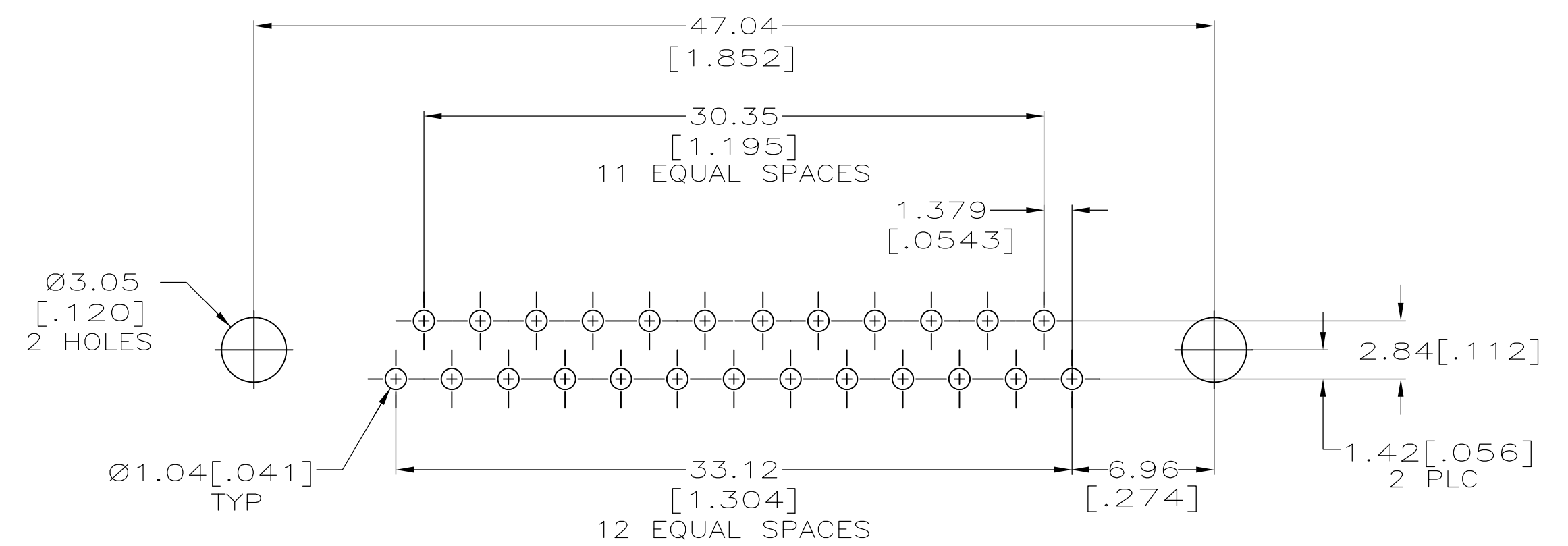


- 1 HOUSING: NYLON OR POLYESTER, FLAME RETARDANT, UL 94V-0 RATED, GLASS FILLED, BLACK.
 CONTACTS: BRASS
 SHELL: CARBON STEEL
 EYELETS: BRASS
 SCREWLOCKS AND INSERTS: ZINC
- 2 SHELL: 2.54µm [.000100] MIN TIN OVER 1.27µm [.000050] MIN COPPER.
 CONTACTS: SEE TABLE
 EYELETS: 2.54µm [.000100] MIN TIN OVER COPPER FLASH.
 SCREWLOCKS & INSERTS: CLEAR CHROMATE
- 3 GOLD FLASH ON THE MATING SURFACES, 2.54µm (.000100) MIN TIN PLATE ON THE SOLDER END, 1.27µm (.000050) MIN NICKEL UNDERPLATE ON THE ENTIRE CONTACT.
- 4 0.76µm (.000030) MIN GOLD PLATE ON THE MATING SURFACES, 2.54µm (.000100) MIN TIN PLATE ON THE SOLDER END, 1.27µm (.000050) MIN NICKEL UNDERPLATE ON THE ENTIRE CONTACT
 -OR-
 GOLD FLASH OVER PALLADIUM-NICKEL PLATE, 0.76µm (.000030) MIN TOTAL ON THE MATING SURFACES, 2.54µm (.000100) MIN TIN PLATE ON THE SOLDER END, 1.27µm (.000050) MIN NICKEL UNDERPLATE ON THE ENTIRE CONTACT.



DETAIL D DETAIL E



RECOMMENDED P.C. BOARD MOUNTING DIMENSIONS

| | | |
|-------------------|----------------|-------------|
| SEE DETAIL E | △ | 5747238-6 |
| SEE DETAIL D | △ | 5747238-4 |
| - | △ | 5747238-3 |
| - | △ | 5747238-2 |
| OBSOLETE | △ | 5747238-1 |
| MOUNTING HARDWARE | CONTACT FINISH | PART NUMBER |

| | | | | | | | |
|--|--|--|--|-----------------------------------|--|--|--|
| THIS DRAWING IS A CONTROLLED DOCUMENT. DIMENSIONING AND TOLERANCING PER ASME Y14.5M-2009 | | DIN A FERNANDEZ-DOCKS 04-12-05 CJL S. BOLASH 04-12-05 | | APVD M. WALMSLEY 04-12-05 NAME | | TE Connectivity | |
| DIMENSIONS: mm [INCHES] | | TOLERANCES UNLESS OTHERWISE SPECIFIED: | | PRODUCT SPEC 108-40025 | | PLUG ASSEMBLY, SIZE 3, 25 POSITION, RIGHT ANGLE, FRONT METAL SHELL, .318 SERIES, AMPLIMITE HD-20 | |
| MATERIAL | | FINISH | | APPLICATION SPEC 114-40010 | | RESTRICTED TO | |
| 1 | | 2 | | SIZE A1 00779 C=5747238 | | SCALE 4:1 SHEET 1 OF 1 REV D | |
| CUSTOMER DRAWING | | | | WEIGHT | | | |