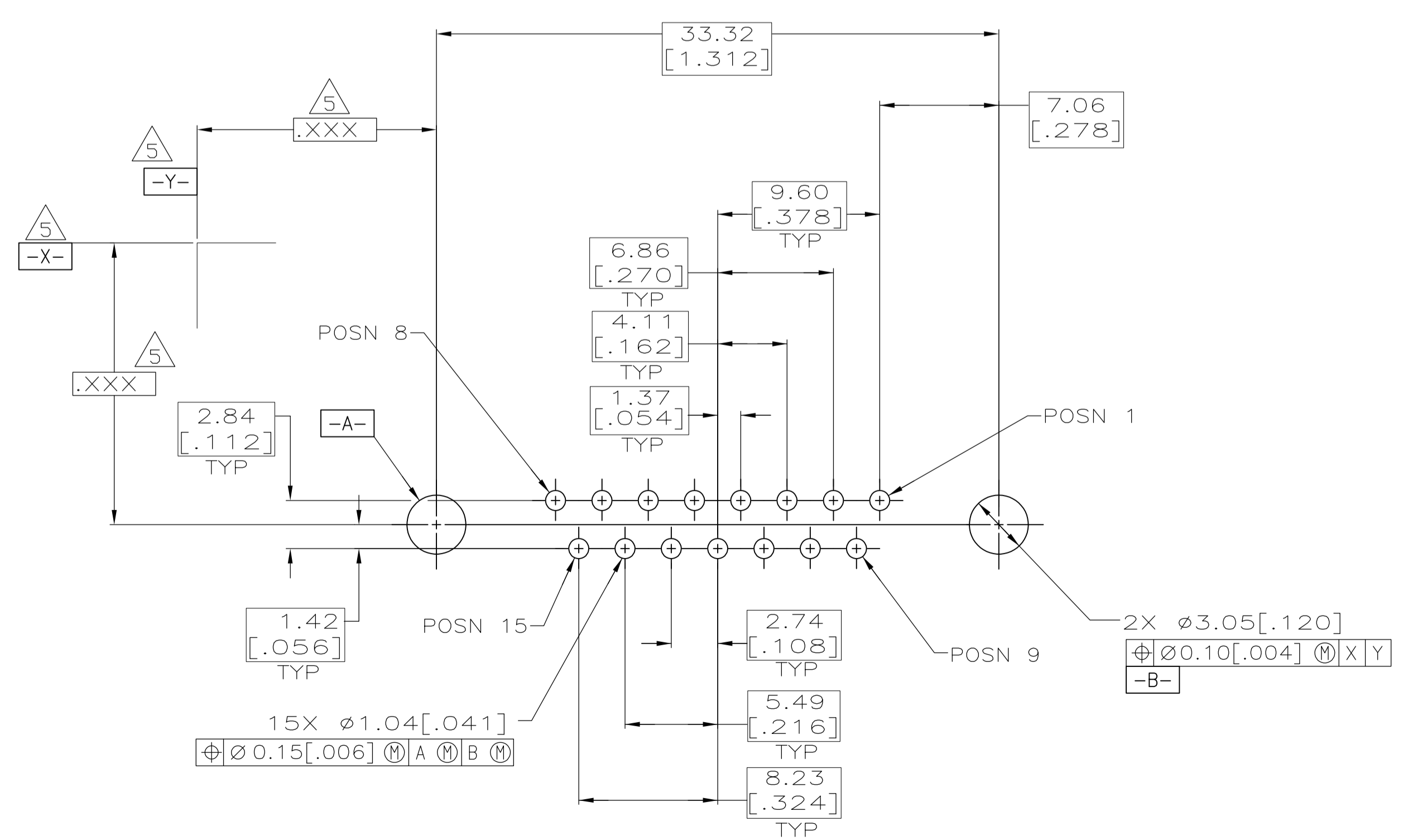
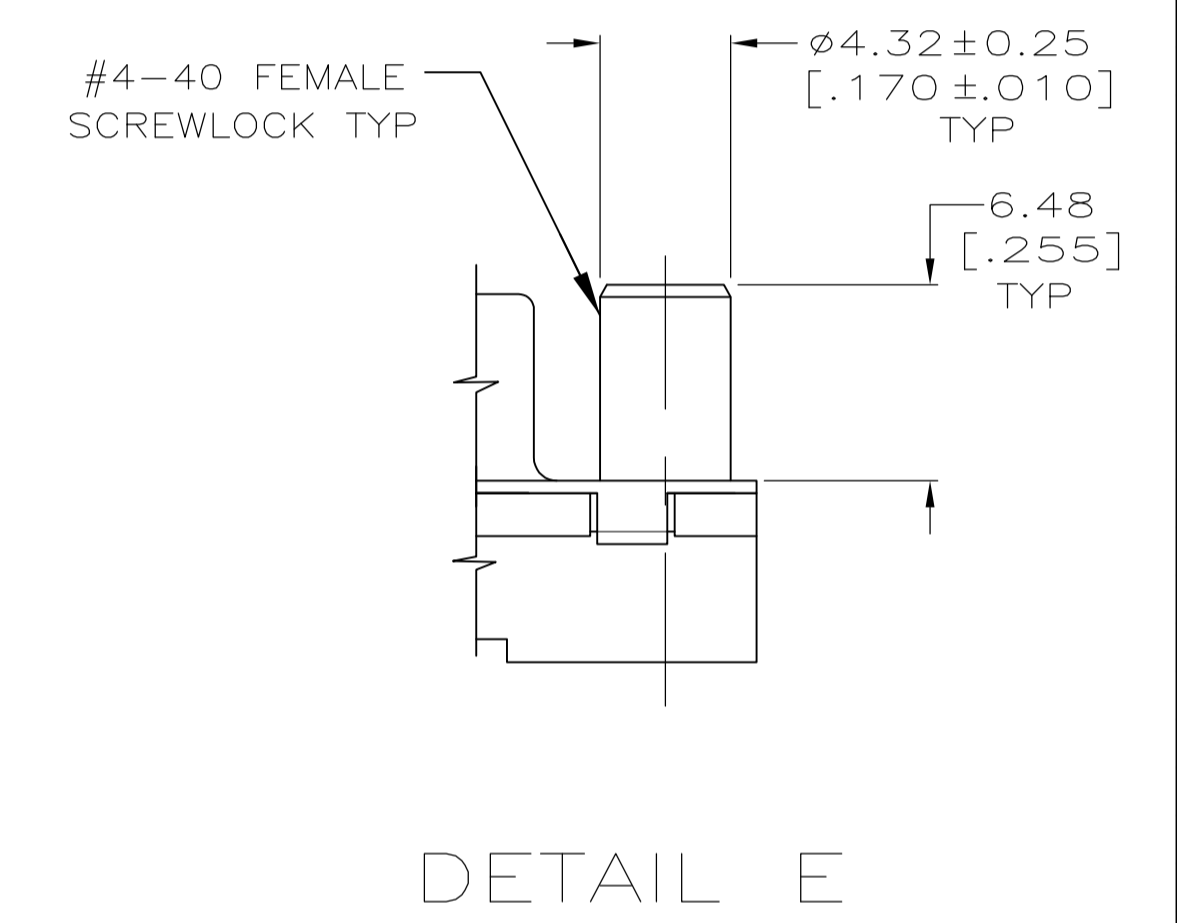
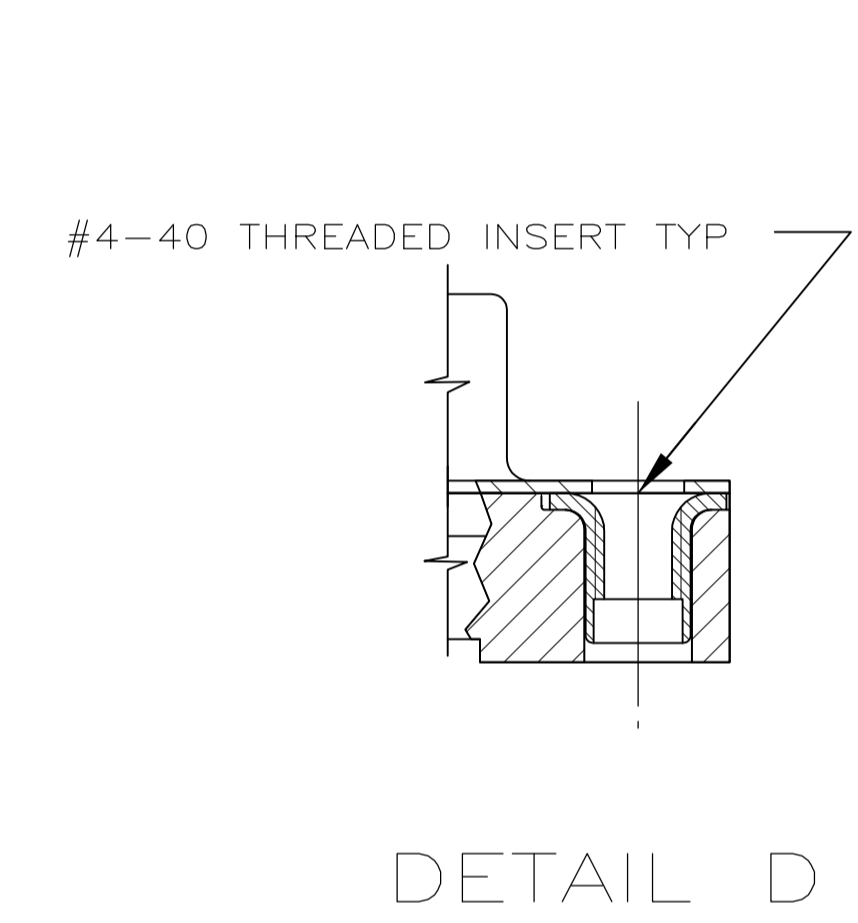
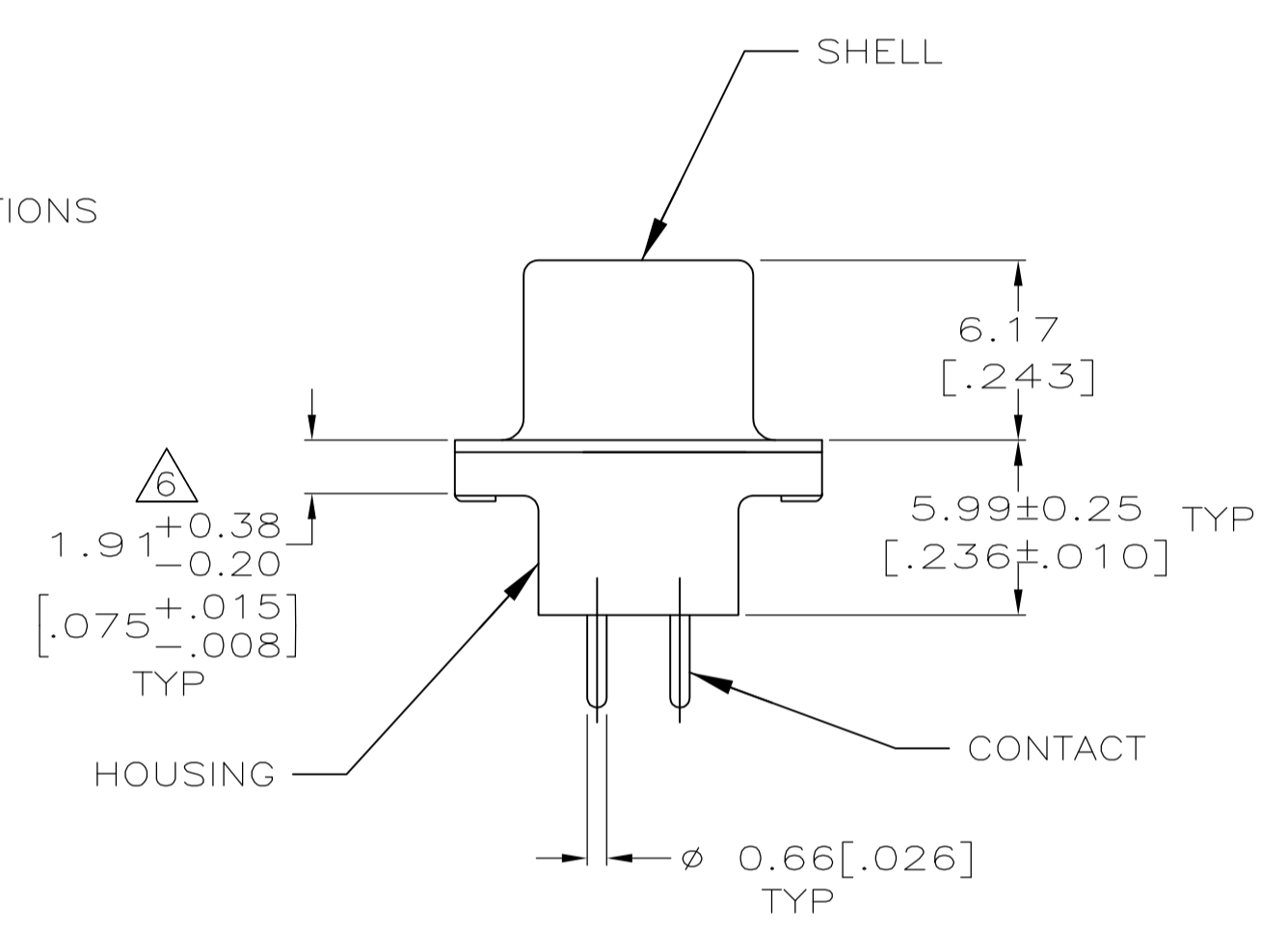
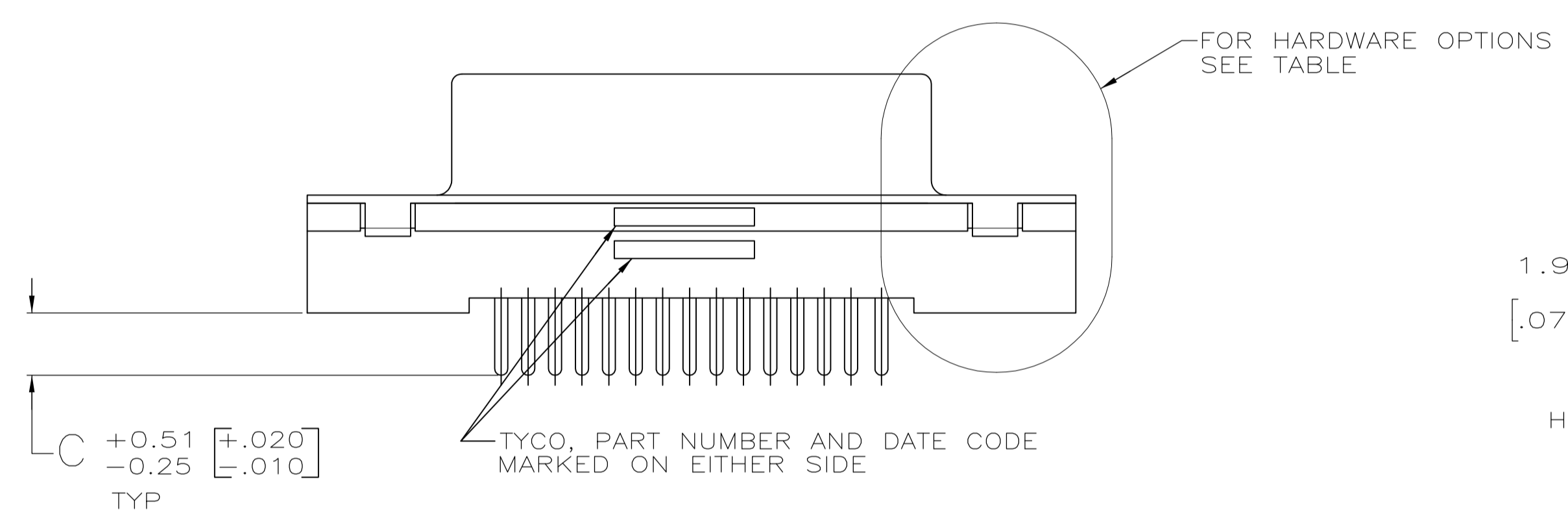


- ① HOUSING: POLYESTER, UL 94V-0 RATED, COLOR BLACK.  
SHELL: CARBON STEEL.  
CONTACTS: PHOS BRONZE.  
INSERTS: BRASS.  
SCREWLOCKS: ZINC.
- ② SHELL: 5.08μm[.000200] MIN TIN OVER 2.54μm[.000100] MIN COPPER.  
CONTACTS: SEE TABLE.  
INSERTS: UNPLATED.  
SCREWLOCKS: CLEAR CHROMATE COATING.
- ③ GOLD FLASH FOR A LENGTH OF 2.54[.100] MIN FROM MATING END, 2.54μm[.000100] MIN TIN ON BOTH END, BOTH OVER 1.27μm[.000050] MIN NICKEL.
- ④ 0.76μm[.000030] MIN GOLD FOR A LENGTH OF 2.54[.100] MIN FROM MATING END, 2.54μm[.000100] MIN TIN ON OPPOSITE END, BOTH OVER 1.27μm[.000050] MIN NICKEL.
- ⑤ DATUMS AND BASIC DIMENSIONS ESTABLISHED BY CUSTOMER.
- ⑥ 2.79[.110] MAX IN SHELL TAB CLINCH AREAS.



OBSOLETE	PER DETAIL E	④	4.32 [.170]	1-5747299-6
	PER DETAIL E	④	3.18 [.125]	1-5747299-4
	PER DETAIL E	③	3.18 [.125]	1-5747299-3
	PER DETAIL D	③	3.18 [.125]	5747299-7
AS SHOWN		④	4.32 [.170]	5747299-4
AS SHOWN		④	3.18 [.125]	5747299-2
HARDWARE OPTIONS		CONTACTS		
HARDWARE OPTIONS		FINISH	C	PART NO

THIS DRAWING IS A CONTROLLED DOCUMENT.		DIN B LATTUCA 22SEPT05	STE TE Connectivity	
DIMENSIONS: INCHES		CIK S BOLASH 22SEPT05	RECEPTACLE ASSEMBLY, SIZE 2, 15 POSITION, FRONT METAL SHELL, WITH OR WITHOUT SCREWLOCKS OR INSERTS, AMPLIMITE HD-20	
TOLERANCES UNLESS OTHERWISE SPECIFIED:		APVD M WALMSLEY 22SEPT05	NAME	
0 PLC ± -	1 PLC ± -	PRODUCT SPEC		
2 PLC ± 0.13 [.005]	3 PLC ± -	108-40025		
4 PLC ± -	ANGLES ± -	APPLICATION SPEC		
MATERIAL		114-40023	SIZE	CAGE CODE DRAWING NO
①	②	WEIGHT	A1	00779 C=5747299
CUSTOMER DRAWING		SCALE 4:1	SHEET 1 of 1	REV B1

RECOMMENDED PC BOARD MOUNTING DIMENSIONS