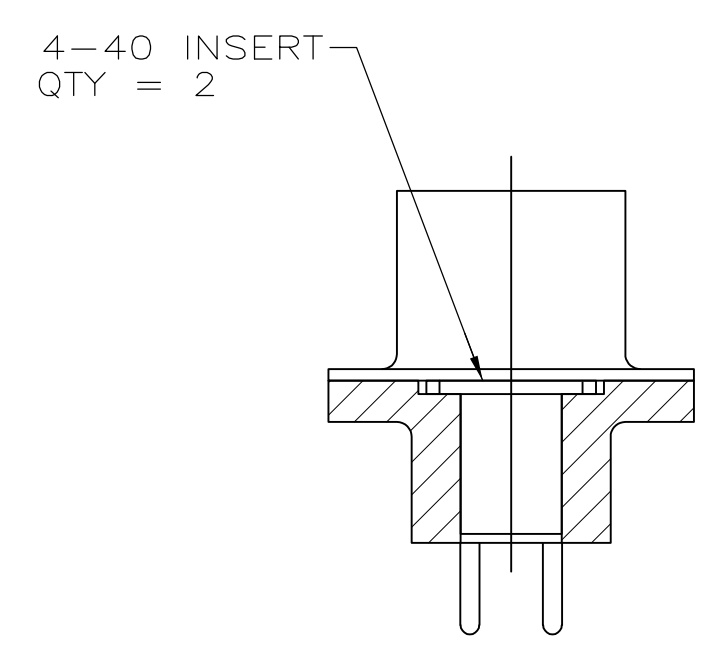
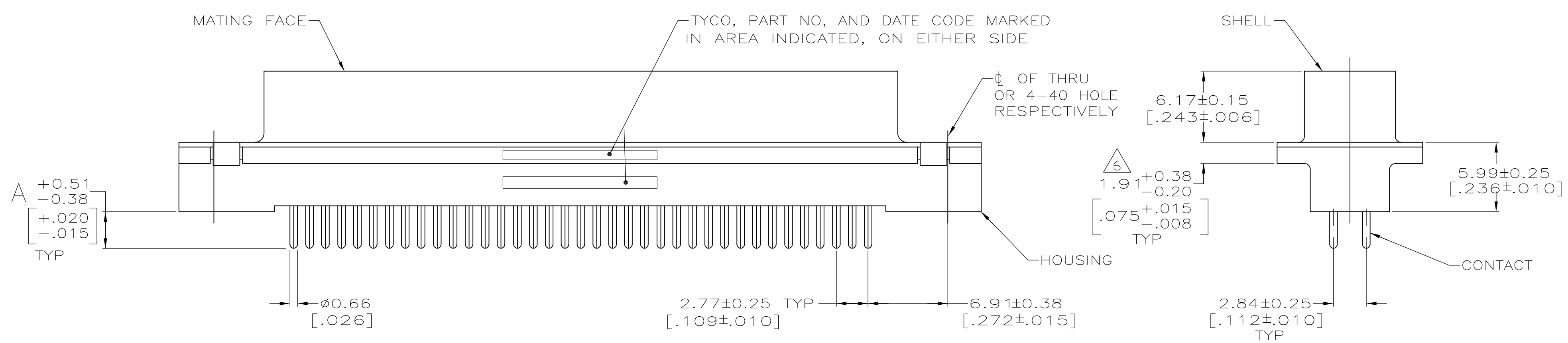
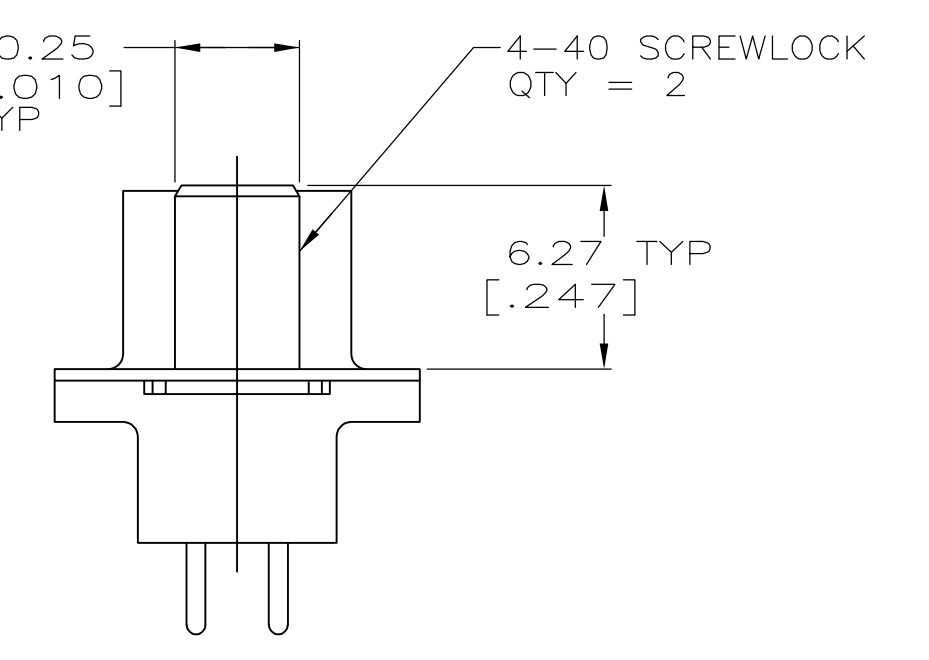


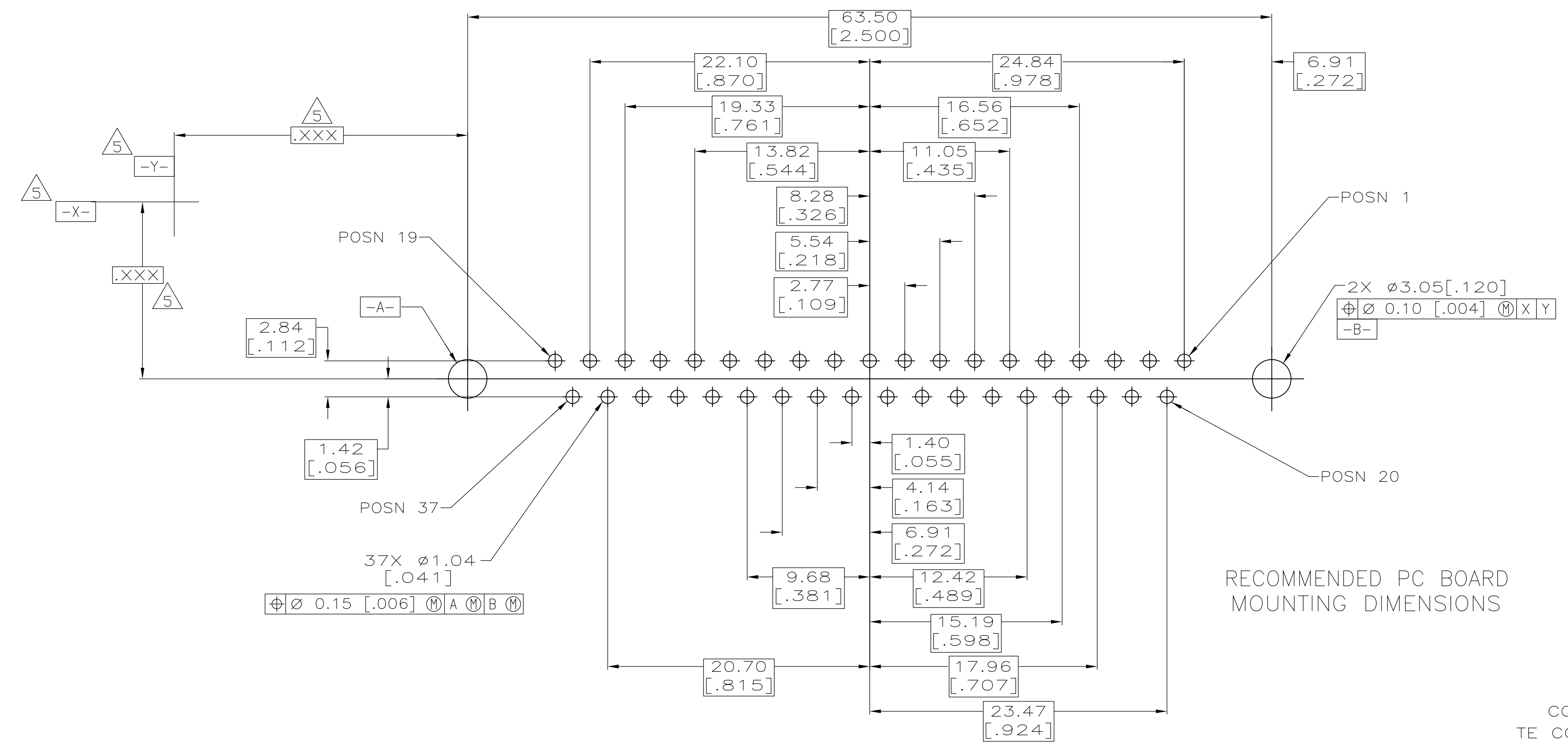
- 1 HOUSING: BLACK POLYESTER, UL 94V-0 RATED
CONTACTS: PHOSPHOR BRONZE
SHELL: CARBON STEEL
SCREWLOCKS: ZINC
INSERTS: BRASS
- 2 SHELL: 5.08µm[.000200] MIN TIN OVER 2.54µm[.000100] MIN COPPER.
CONTACTS: SEE TABLE
INSERTS: UNPLATED
SCREWLOCKS: CLEAR CHROMATE.
- 3 GOLD FLASH FOR A LENGTH OF 2.54 [.100] MIN FROM MATING END, 2.54µm[.000100] MIN TIN ON OPPOSITE END, BOTH OVER 1.27µm[.000050] MIN NICKEL.
- 4 0.76µm[.000030] MIN GOLD FOR A LENGTH OF 2.54 [.100] MIN FROM MATING END, 2.54µm[.000100] MIN TIN ON OPPOSITE END, BOTH OVER 1.27µm[.000050] MIN NICKEL.
- 5 DATUMS AND BASIC DIMENSIONS ESTABLISHED BY CUSTOMERS.
- 6 2.79 [.110] MAX IN SHELL TAB CLINCH AREAS.



DETAIL D



DETAIL E



RECOMMENDED PC BOARD MOUNTING DIMENSIONS

COPYRIGHT 2005
TE CONNECTIVITY CORP
ALL RIGHTS RESERVED

4.32 [.170]	4-40 SCREWLOCK (DETAIL E)	4	1-5747301-6
3.18 [.125]	4-40 SCREWLOCK (DETAIL E)	4	1-5747301-4
3.18 [.125]	4-40 INSERT (DETAIL D)	4	5747301-8
3.18 [.125]	4-40 INSERT (DETAIL D)	3	5747301-7
3.18 [.125]	-	1	5747301-2
A	MOUNTING HARDWARE	CONTACT FINISH	PART NO

THIS DRAWING IS A CONTROLLED DOCUMENT.		OWN B. LATTUCA 22SEPT05	TE Connectivity
DIMENSIONS: mm[INCHES]		CHK S. BOLASH 22SEPT05	
TOLERANCES UNLESS OTHERWISE SPECIFIED:		APVD M. WALMSLEY 22SEPT05	
0 PLC ± -		PRODUCT SPEC	
1 PLC ± -		NAME	RECEPTACLE ASSEMBLY, SIZE 4, 37 POSN, VERTICAL, FRONT METAL SHELL, AMPLIMITE HD-20
2 PLC ± 0.13 [005]		PRODUCT SPEC	108-40025
3 PLC ± -		APPLICATION SPEC	114-40023
4 PLC ± -		SIZE	A1
ANGLES ± -		CAGE CODE	00779
MATERIAL		DRAWING NO	C=5747301
FINISH		WEIGHT	-
CUSTOMER DRAWING		SCALE	4:1
		SHEET	1 OF 1
		REV	A1