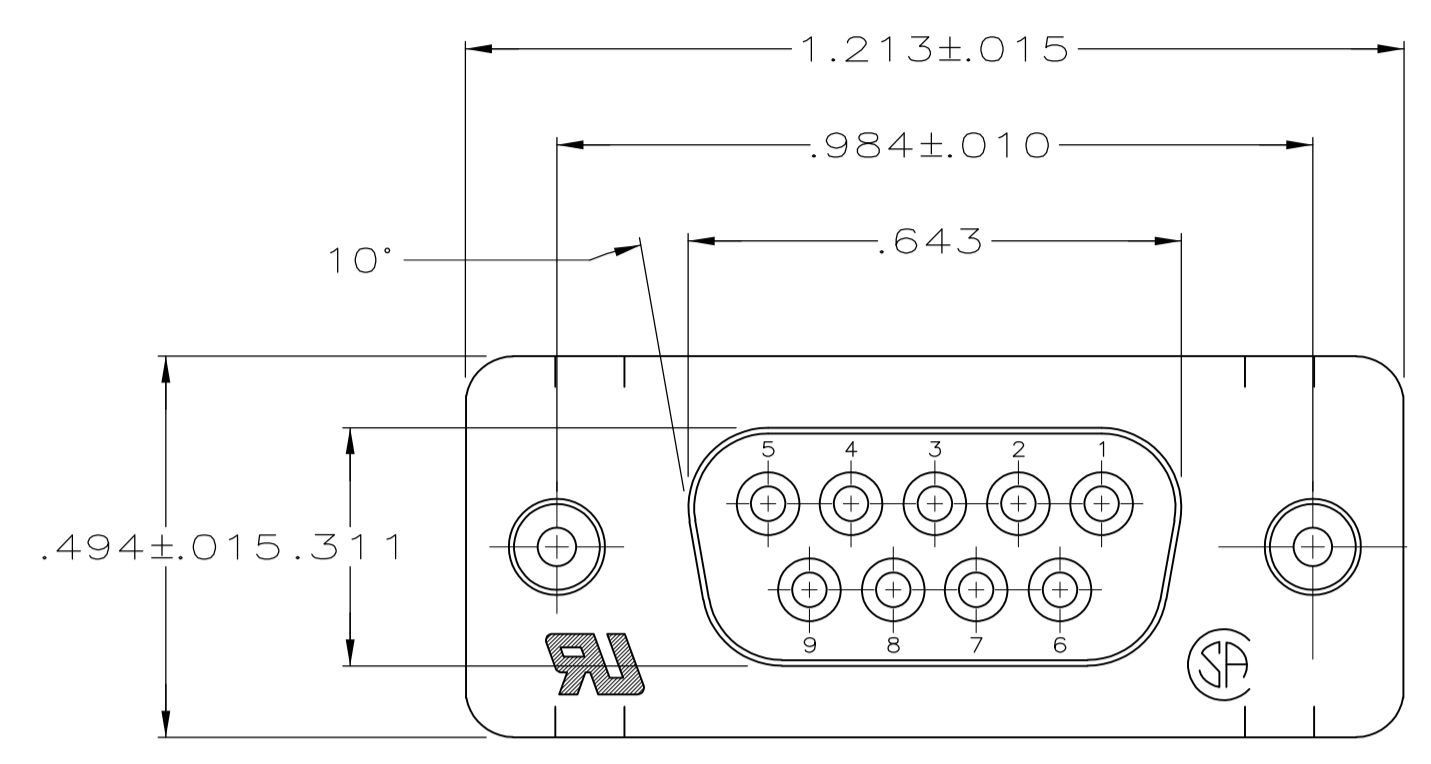
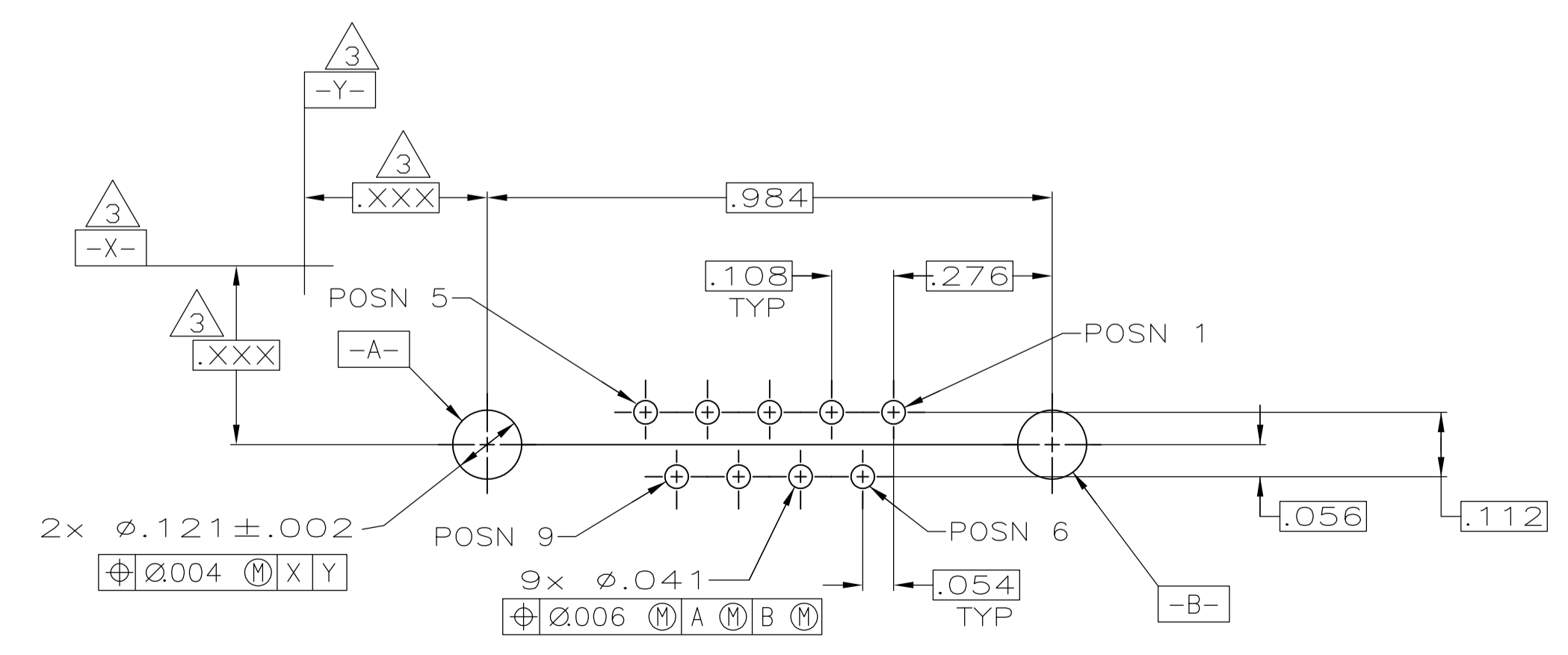
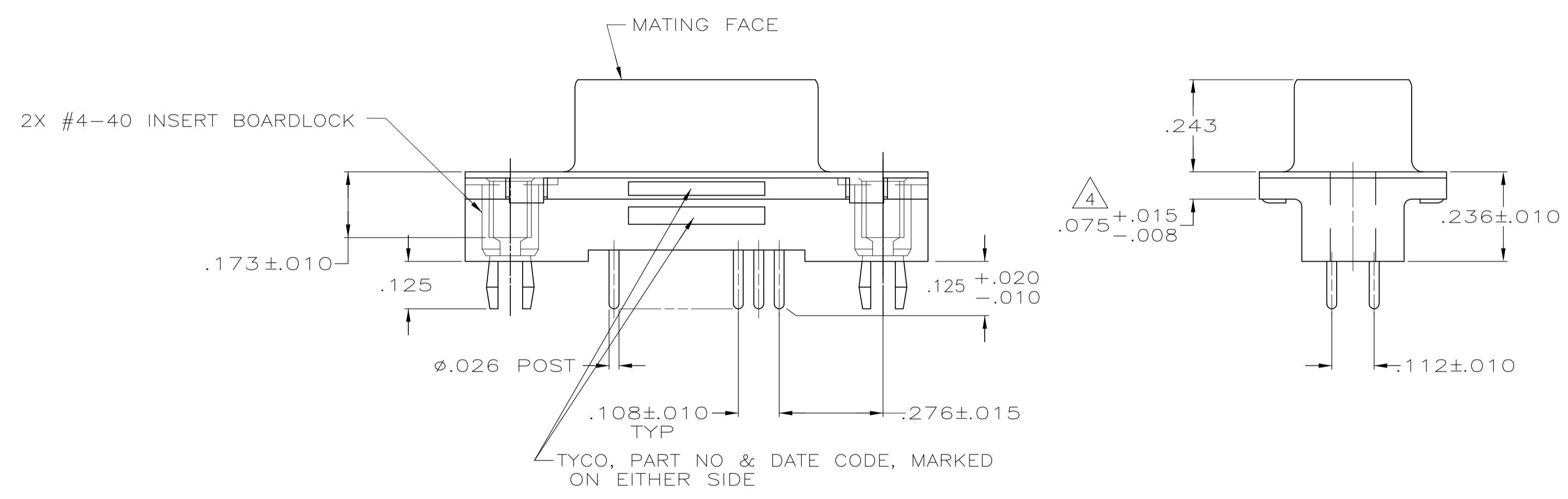


REVISIONS					
P	LTR	DESCRIPTION	DATE	DMN	APVD
B		REVISED PER ECO-16-001548	24FEB2016	AP	DG



- 1 HOUSING: FLAME RETARDANT, 94V-0 RATED, THERMOPLASTIC; COLOR: BLACK.
SHELL: CARBON STEEL.
CONTACTS: PHOS BRONZE.
INSERT BOARDLOCKS: BRASS.
- 2 SHELL: .000200 MIN TIN OVER .000100 MIN COPPER.
CONTACTS: .000030 MIN GOLD FOR LENGTH OF .100 MIN FROM MATING END, .000100 MIN TIN ON TERMINATION END, ALL OVER .000050 MIN NICKEL ON ENTIRE CONTACT.
INSERT BOARDLOCKS: .000150 MIN TIN OVER .000100 MIN COPPER.
- 3 DATUMS AND BASIC DIMENSIONS ESTABLISHED BY CUSTOMER.
- 4 .110 MAX IN SHELL TAB CLINCH AREAS.



PC BOARD MOUNTING DIMENSIONS
CONNECTOR SIDE OF BOARD
.062 PC BOARD THICKNESS

COPYRIGHT 2005
TE CONNECTIVITY CORP
ALL RIGHTS RESERVED

2-5747706-0
PART NO

THIS DRAWING IS A CONTROLLED DOCUMENT.		DIN B LATTUCA 28SEPT05	TE Connectivity
DIMENSIONS: INCHES		CHK S BOLASH 28SEPT05	
TOLERANCES UNLESS OTHERWISE SPECIFIED:		APVD M WALMSLEY 28SEPT05	NAME
0 PLC ± -			RECTACLE ASSEMBLY, SIZE 1, 9 POS.,
1 PLC ± -			VERTICAL, .026 DIA. POSTS, FRONT METAL SHELL,
2 PLC ± -			RETENTION INSERTS, AMPLIMITE HD-20
3 PLC ± .005			PRODUCT SPEC
4 PLC ± -			108-40025
ANGLES ± ±			APPLICATION SPEC
			114-40023
MATERIAL	FINISH	WEIGHT	SIZE CASE CODE DRAWING NO RESTRICTED TO
1	2	-	A1 00779 C=5747706
CUSTOMER DRAWING		SCALE 4:1	SHEET 1 OF 1 REV B