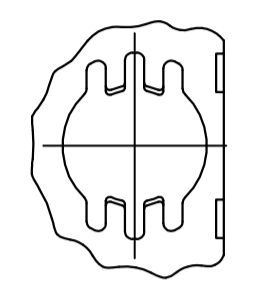
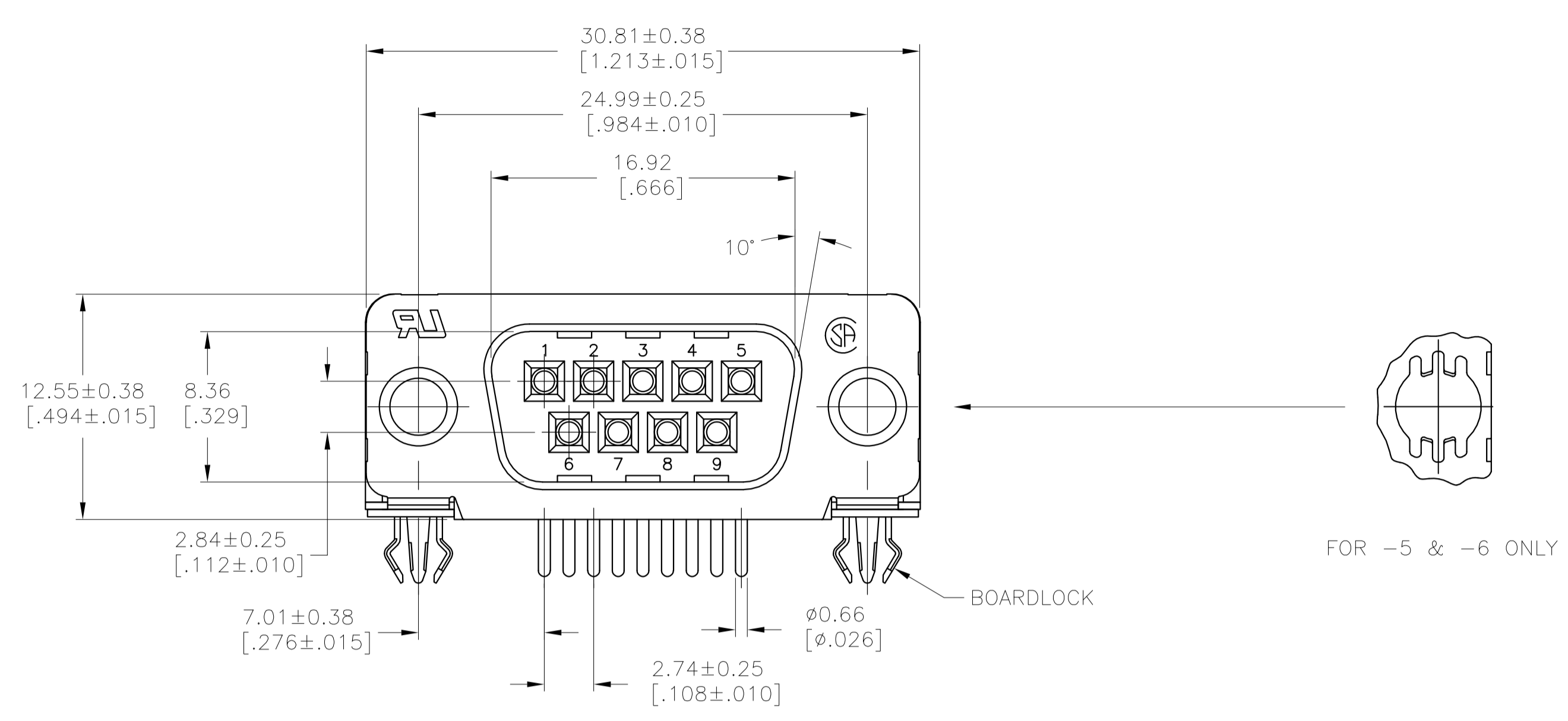
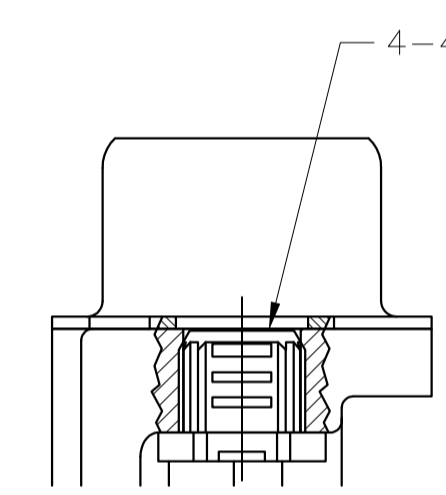
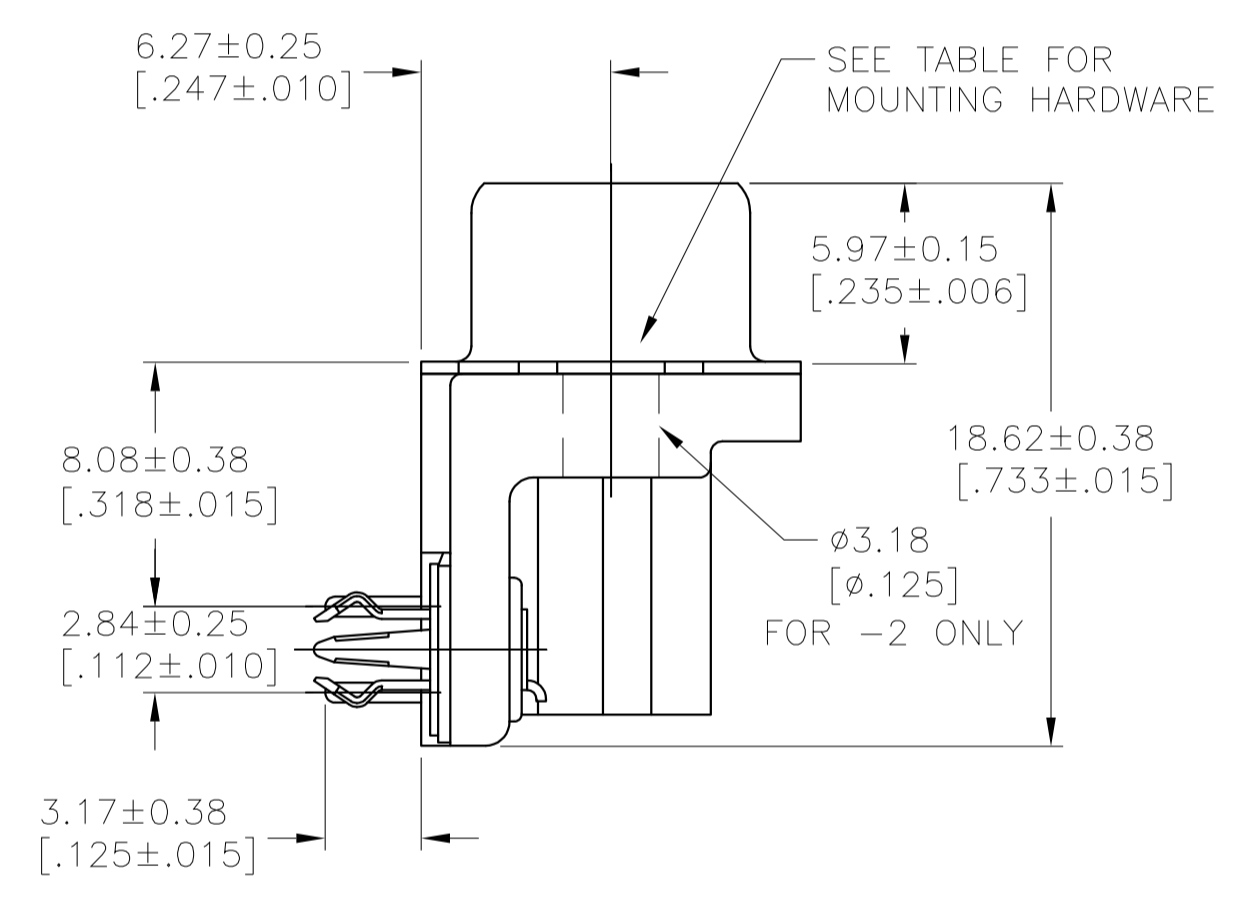
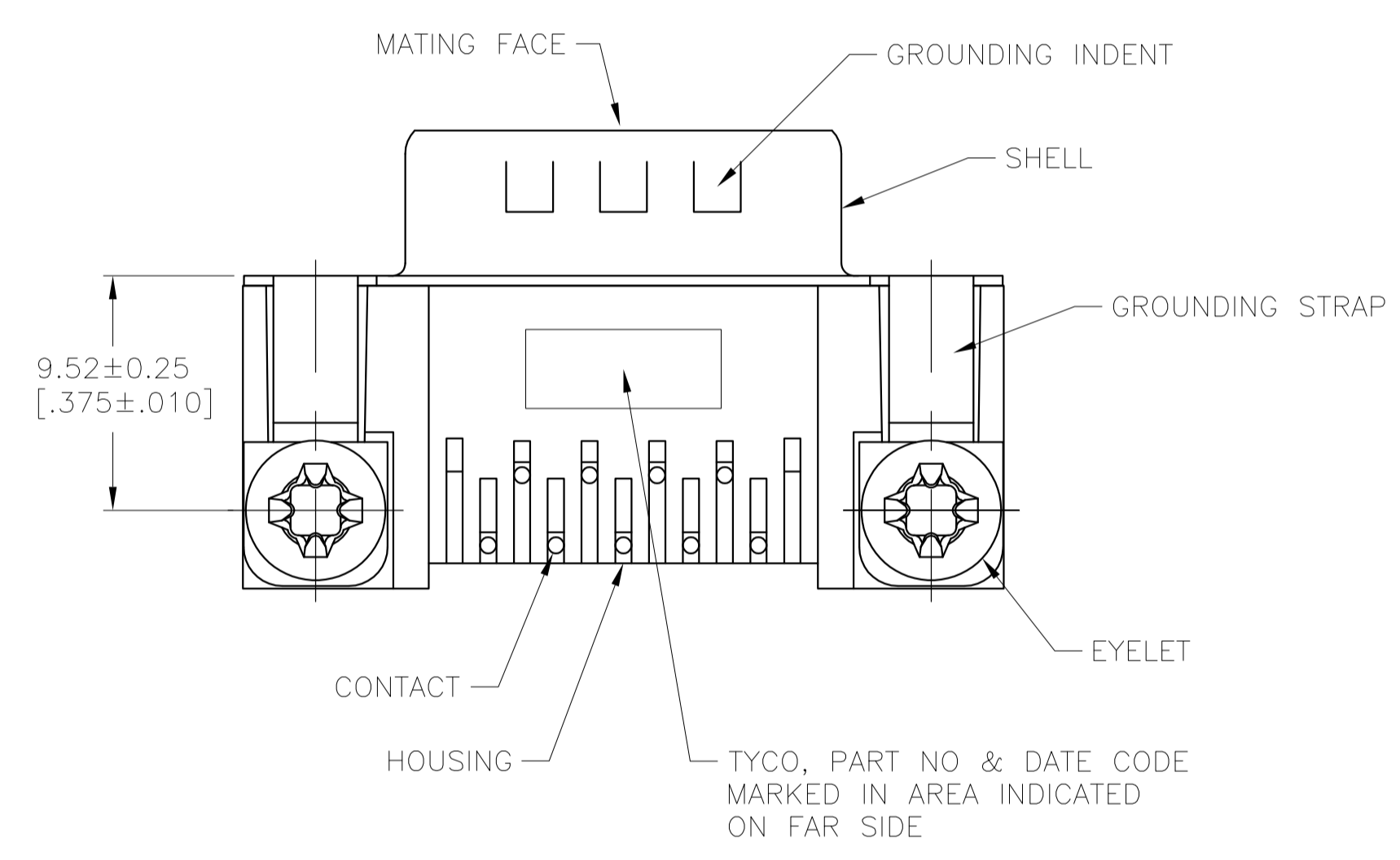


LOC		DIST		REVISIONS			
P	LTR	DESCRIPTION	DATE	DMN	APVD		
D		REVISED PER ECO-12-022391	02JAN2013	CJV	SLB		

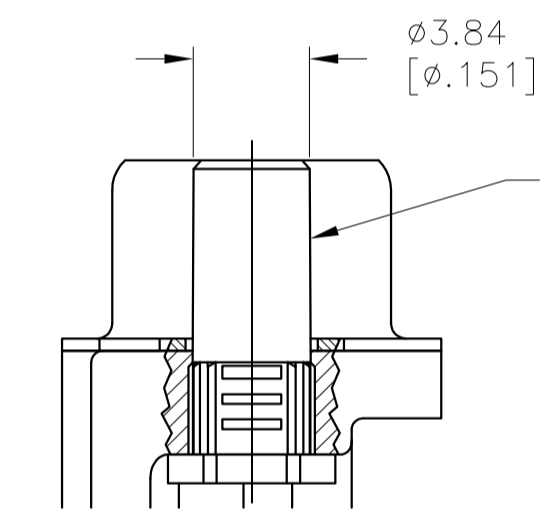


FOR -5 & -6 ONLY

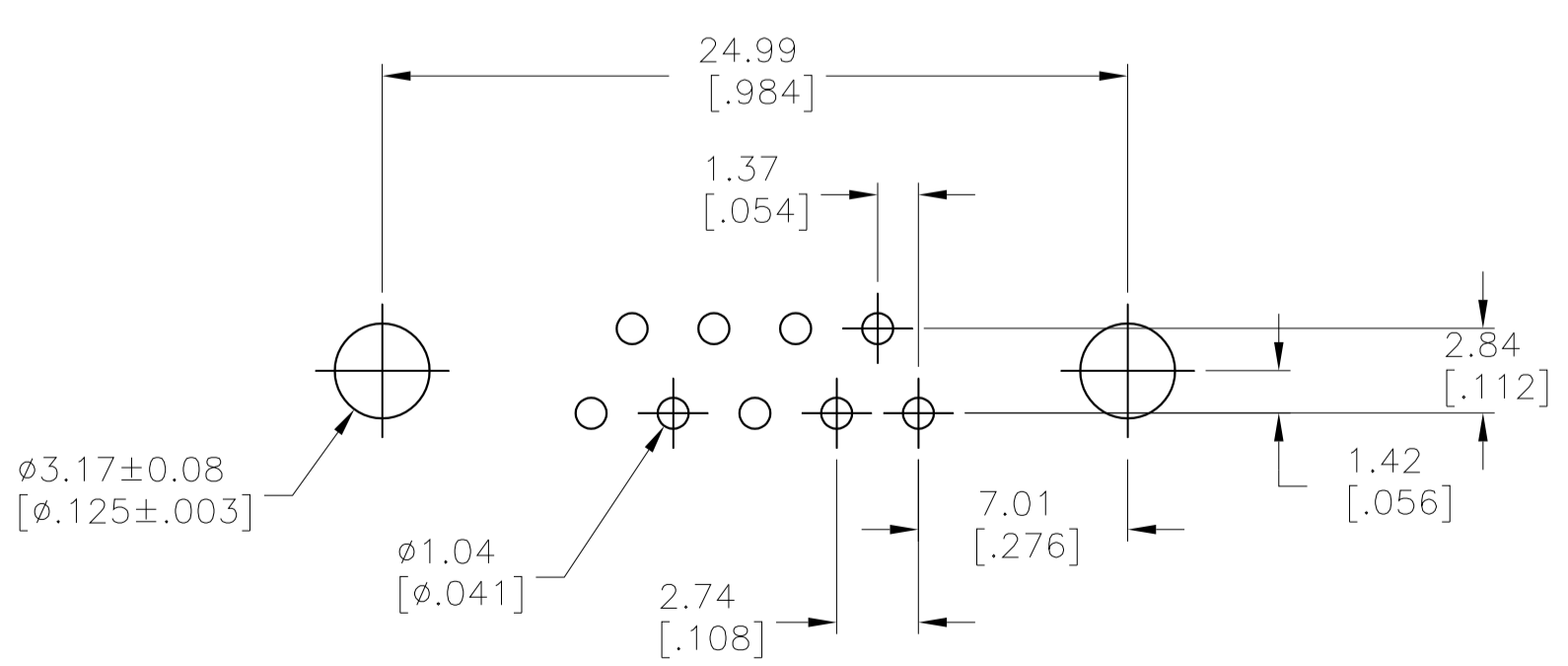
- 1 HOUSING: NYLON OR POLYESTER, FLAME RETARDANT, 94V-0 RATED, COLOR BLACK.
SHELL: CARBON STEEL.
CONTACTS: BRASS.
EYELETS: BRASS.
BOARDLOCKS: COPPER ALLOY.
INSERTS: ZINC.
SCREWLOCKS: ZINC.
- 2 SHELL: .00254μm[.000100] MIN TIN OVER .00127μm[.000050] MIN COPPER.
CONTACTS: SEE TABLE.
EYELETS: .00508μm[.000200] MIN TIN OVER COPPER FLASH.
BOARDLOCKS: .00508μm[.000200] MIN TIN OVER .00127μm[.000050] MIN NICKEL.
INSERTS: CLEAR CHROMATE.
SCREWLOCKS: CLEAR CHROMATE.
- 3 0.76μm[.000030] MIN GOLD PLATE ON THE MATING SURFACES, 2.54μm[.000100] MIN TIN PLATE ON THE SOLDER END, 1.27μm[.000050] MIN NICKEL UNDERPLATE ON THE ENTIRE CONTACT
-OR-
GOLD FLASH OVER PALLADIUM-NICKEL PLATE, 0.76μm[.000030] MIN TOTAL ON THE MATING SURFACES, 2.54μm[.000100] MIN TIN PLATE ON THE SOLDER END, 1.27μm[.000050] MIN NICKEL UNDERPLATE ON THE ENTIRE CONTACT.
- 4 GOLD FLASH ON MATING END, .00254μm[.000100] MIN TIN ON SOLDER END, ALL OVER .00127μm[.000050] MIN NICKEL.



DETAIL A



DETAIL B



RECOMMENDED PC BOARD LAYOUT
1.57 [.062] PC BOARD
(VIEWED FROM CONNECTOR SIDE)

1	SEE DETAIL B	5747840-6
2	SEE DETAIL B	5747840-5
3	SEE DETAIL A	5747840-4
4	SEE DETAIL A	5747840-3
	NONE	5747840-2
	CONTACT FINISH	MOUNTING HARDWARE
		PART NUMBER

**COPYRIGHT 2005
TYCO ELECTRONICS CORP
ALL RIGHTS RESERVED**

THIS DRAWING IS A CONTROLLED DOCUMENT. DIMENSIONING AND TOLERANCING PER ASME Y14.5M-2009.

DIMENSIONS: INCHES	TOLERANCES UNLESS OTHERWISE SPECIFIED:	0 PLC ± -	1 PLC ± -	2 PLC ± -	3 PLC ± 0.13(.005)	4 PLC ± - ± .2	ANGLES ± - ± .2
--------------------	--	-----------	-----------	-----------	--------------------	----------------	-----------------

MATERIAL	FINISH	APPROVED: J. GERACE 07FEB05	CHK: S. BOLASH 07FEB05	NAME: M. WALMSLEY 07FEB05		
APPROVED: M. WALMSLEY 07FEB05	PRODUCT SPEC: 108-40025	APPLICATION SPEC: 114-40010	SIZE: A1	CAGE CODE: 00779	DRAWING NO: 5747840	RESTRICTED TO: -
CUSTOMER DRAWING		SCALE: 4:1	SHEET: 1 OF 1	REV: D		

STE TE Connectivity

PLUG ASSEMBLY, SIZE 1, 9 POS, RIGHT ANGLE, FRONT METAL SHELL, 8.08 [.318] SERIES, AMPLIMITE HD-20