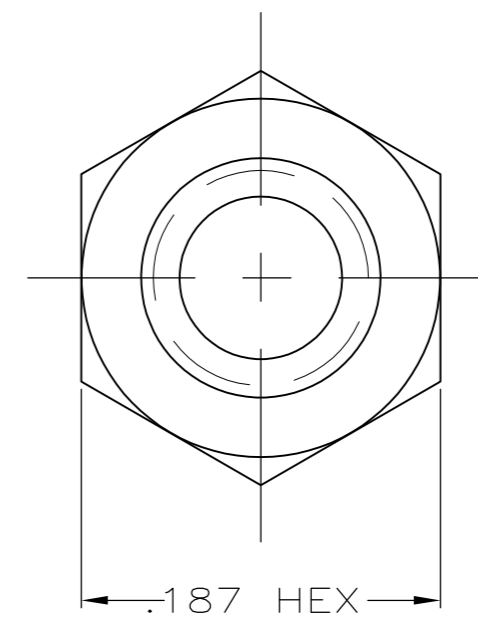
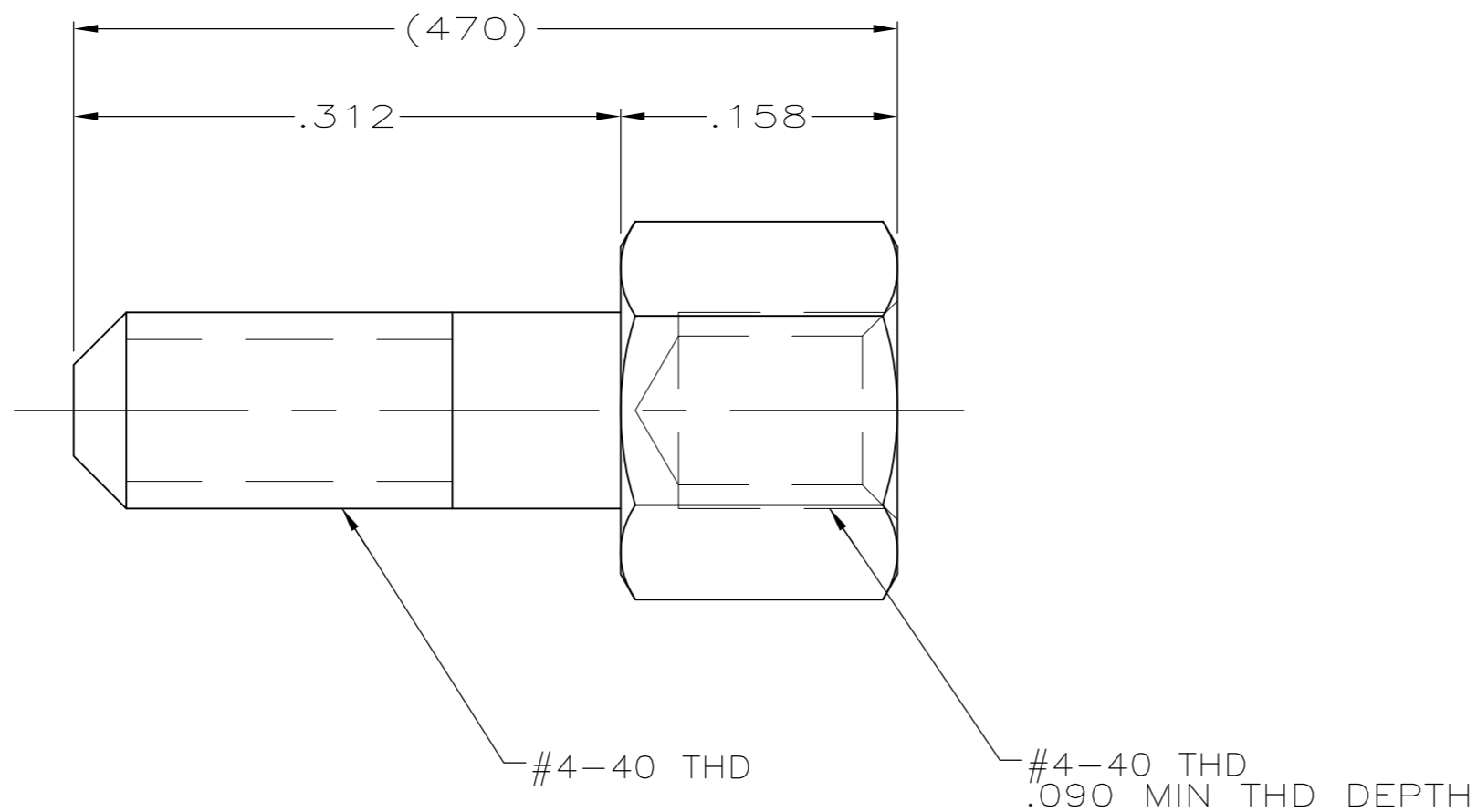


THIS DRAWING IS UNPUBLISHED. RELEASED FOR PUBLICATION  
 © COPYRIGHT - By - ALL RIGHTS RESERVED.

LOC	DIST	REVISIONS			
P	LTR	DESCRIPTION	DATE	DWN	APVD
GP	00				
	P1	REVISED PER ECO-14-005702	07MAY2014	CJV	PAR

- ① COLD ROLLED STEEL PER ASTM A108.
- ② ZINC PLATED .000200-.000400 THICK, YELLOW CHROMATE COATING.
- ③ ZINC PLATE .000200-.000400, CLEAR CHROMATE COATING.



③	5748270-3
②	5748270-2
FINISH	PART NUMBER

THIS DRAWING IS A CONTROLLED DOCUMENT.		DWN R.RICHARDSON 17JUN05	<b>STE</b> TE Connectivity	
DIMENSIONS: INCHES		CHK C.ROHDE 17JUN05		
TOLERANCES UNLESS OTHERWISE SPECIFIED:		APVD M. WALMSLEY 17JUN05	NAME	
0 PLC ± -		PRODUCT SPEC	SCREWLOCK, FEMALE, SHORT HEAD, .090 PANEL, AMPLIMITE	
1 PLC ± -		APPLICATION SPEC	SIZE	CAGE CODE
2 PLC ± -			A2	00779
3 PLC ± .005			DRAWING NO	RESTRICTED TO
4 PLC ± -			C=5748270	-
ANGLES ± -		WEIGHT	SCALE	SHEET
MATERIAL		FINISH	10:1	1 of 1
①		SEE TABLE	CUSTOMER DRAWING	REV P1