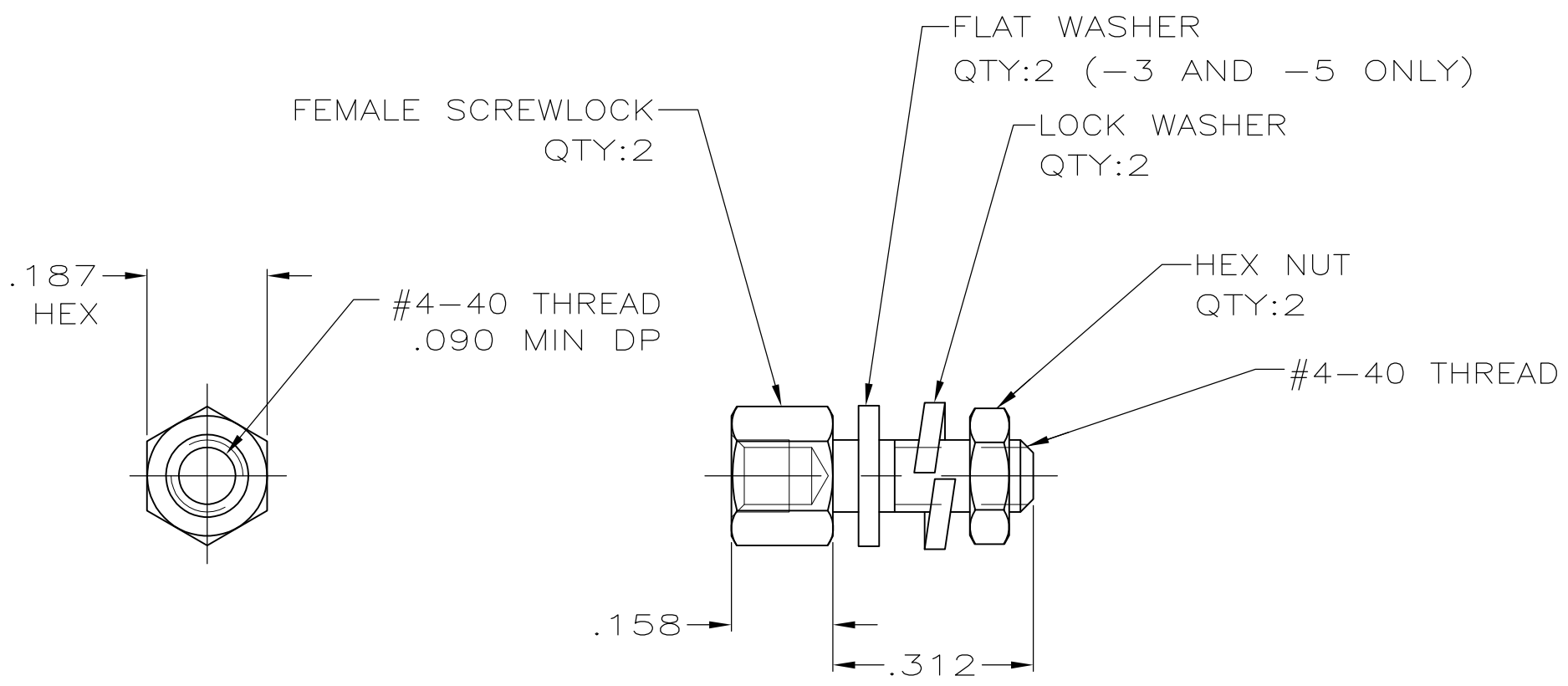


THIS DRAWING IS UNPUBLISHED. RELEASED FOR PUBLICATION
 © COPYRIGHT - By - ALL RIGHTS RESERVED.

LOC	DIST	REVISIONS					
GP	00	P	LTR	DESCRIPTION	DATE	DWN	APVD
		R		REVISED PER ECO-15-002171	04MAR2015	AP	PR



- PARTS PACKAGED UNASSEMBLED.
 - PARTS PACKAGED AS A UNIT KIT.
- 3 ZINC PLATING .000200-.000400 THICK, YELLOW CHROMATE COATING.
 4 ZINC PLATING .000200-.000400 THICK, CLEAR CHROMATE COATING.

4	W/ FLAT WASHER	5748271-5
	W/O FLAT WASHER	5748271-4
3	W/ FLAT WASHER	5748271-3
	W/O FLAT WASHER	5748271-1
FINISH	REMARKS	PART NUMBER

THIS DRAWING IS A CONTROLLED DOCUMENT.		DWN	S.WAITMAN	12JUL05	STE TE Connectivity		
DIMENSIONS: INCHES		CHK	C.ROHDE	12JUL05			
TOLERANCES UNLESS OTHERWISE SPECIFIED:		APVD	M.WALMSLEY	12JUL05	NAME		
0 PLC ± - 1 PLC ± - 2 PLC ± - 3 PLC ± .005 4 PLC ± - ANGLES ± -		PRODUCT SPEC		FEMALE SCREWLOCK KIT, SHORT HEAD, .090 PANEL, AMPLIMITE			
MATERIAL		APPLICATION SPEC		RESTRICTED TO			
STEEL		FINISH		SIZE			
		3		CAGE CODE		DRAWING NO	
		CUSTOMER DRAWING		A3 00779		C-5748271	
		SCALE		SHEET		REV	
		4:1		1 OF 1		R	