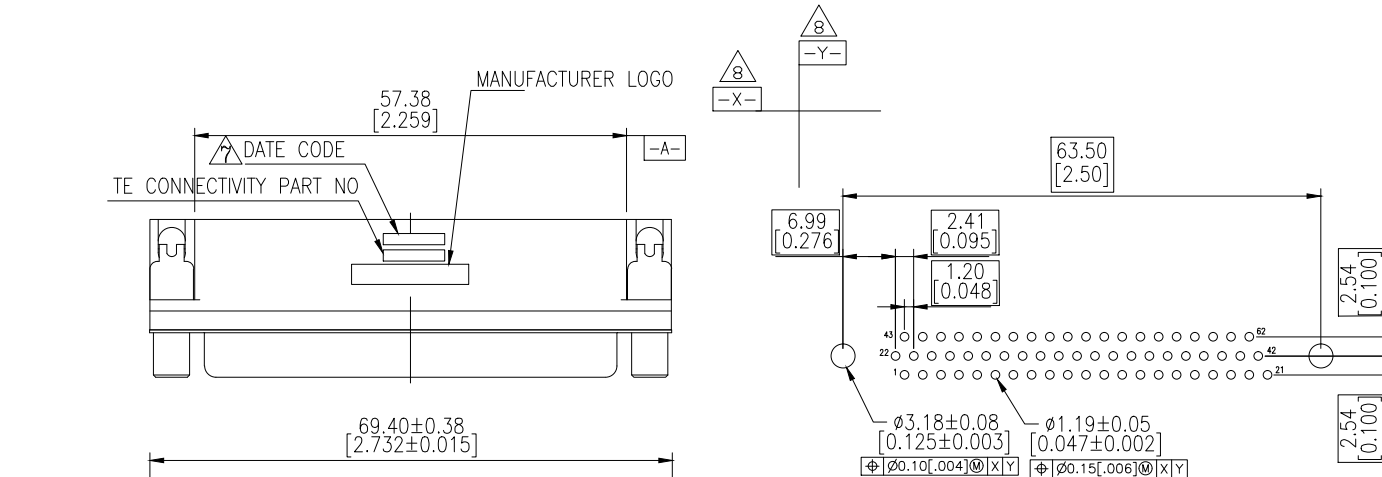


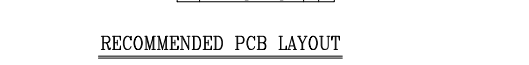
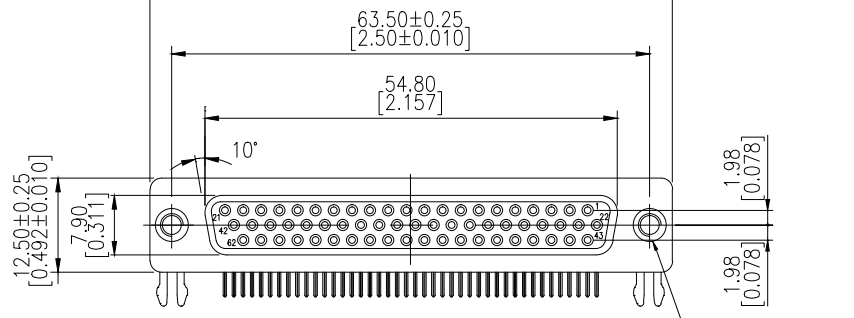
| LOC | | DIST | | REVISIONS | | | |
|-----|-----|---------------------------|-----------|-----------|------|--|--|
| P | LTR | DESCRIPTION | DATE | DWN | APVD | | |
| | B3 | REVISED PER ECR-14-000726 | 30APR2014 | S.C | H.L | | |



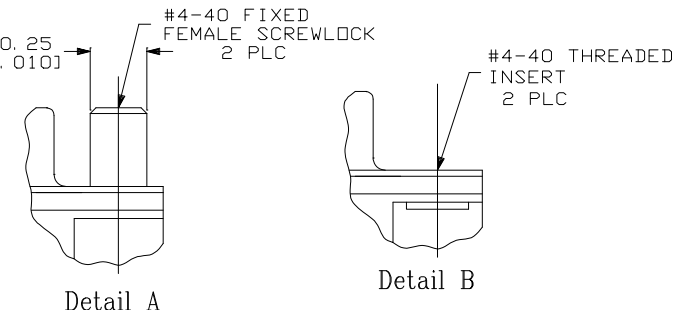
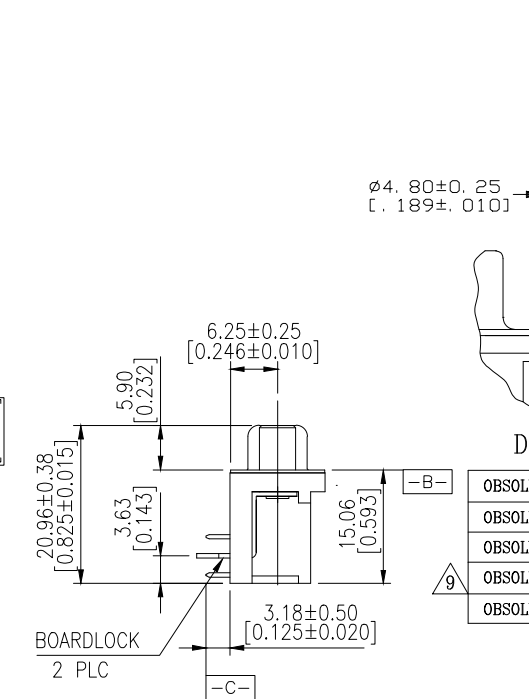
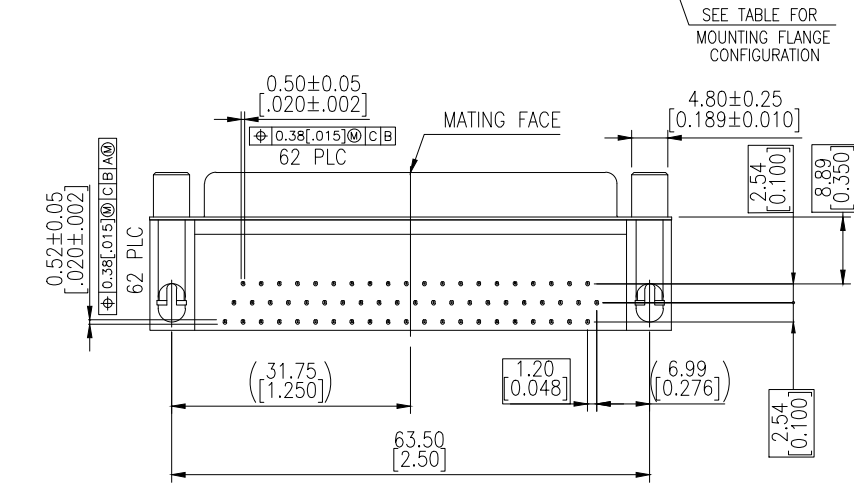
1. HOUSING MATERIAL: PBT, GLASS FILLED, BLACK, UL 94V-0 RATED.
2. CONTACT MATERIAL: PHOSPHOR BRONZE.
3. CONTACT FINISH: GOLD PLATE IN MATING AREA (SEE TABLE), 120µ" MIN TIN PLATE ON SOLDER TAIL, BOTH OVER 50µ" MIN NICKEL UNDERPLATE.
4. SHELL: STEEL, NICKEL PLATE.
5. BOARDLOCK: BRASS, 100µ" MIN TIN PLATE.
6. FEMALE SCREWLOCKS/ THREADED INSERTS: BRASS, NICKEL PLATE.

△ FOUR DIGIT DATE CODE IN THIS FORMAT.
 Year 01 45 Manufacturing Week

△ DATUMS -X- & -Y- TO BE ESTABLISHED BY CUSTOMER.
 △ OBSOLETE PARTS: OBSOLETE CIS STREAMLINING PER D.RENAUD/D.SINISI



RECOMMENDED PCB LAYOUT



| | | | | |
|----------|-----------|-------------------------------|----------------------------|-------------|
| OBsolete | Tray | Detail A | Gold flash | 2-5748394-6 |
| OBsolete | Tray | Detail A | 15µ" MIN | 2-5748394-5 |
| OBsolete | Tray | Detail B | Gold flash | 2-5748394-4 |
| OBsolete | Tray | Detail B | 15µ" MIN | 2-5748394-3 |
| OBsolete | Tray | Detail A | 30µ" MIN | 5748394-6 |
| OBsolete | Tray | Detail B | 30µ" MIN | 5748394-5 |
| | Packaging | Mounting Flange Configuration | Contact Mating Area Finish | Part NO. |

5748394-6, 2--5, & 2--6, SHOWN

| DIMENSIONS: | | TOLERANCES UNLESS OTHERWISE SPECIFIED: | | MATERIAL | | FINISH | | APPLIC. SPEC | | SIZE | | CAGE CODE | | DRAWING NO | | RESTRICTED TO | | | |
|--|----------|--|-----|----------|--------|--------|--------|--------------|--------|-------|-----|------------------|------|------------|------------|---------------|--|--------|--|
| mm | [INCHES] | 0 PLC | ± - | 1 PLC | ± 0.30 | 2 PLC | ± 0.20 | 3 PLC | ± 0.10 | 4 PLC | ± - | WEIGHT | SIZE | CAGE CODE | DRAWING NO | RESTRICTED TO | | | |
| | | | | | | | | | | | | | A2 | 00779 | C=5748394 | | | | |
| THIS DRAWING IS A CONTROLLED DOCUMENT. | | | | | | | | | | | | CUSTOMER DRAWING | | SCALE 2:1 | | SHEET 1 of 1 | | REV B3 | |