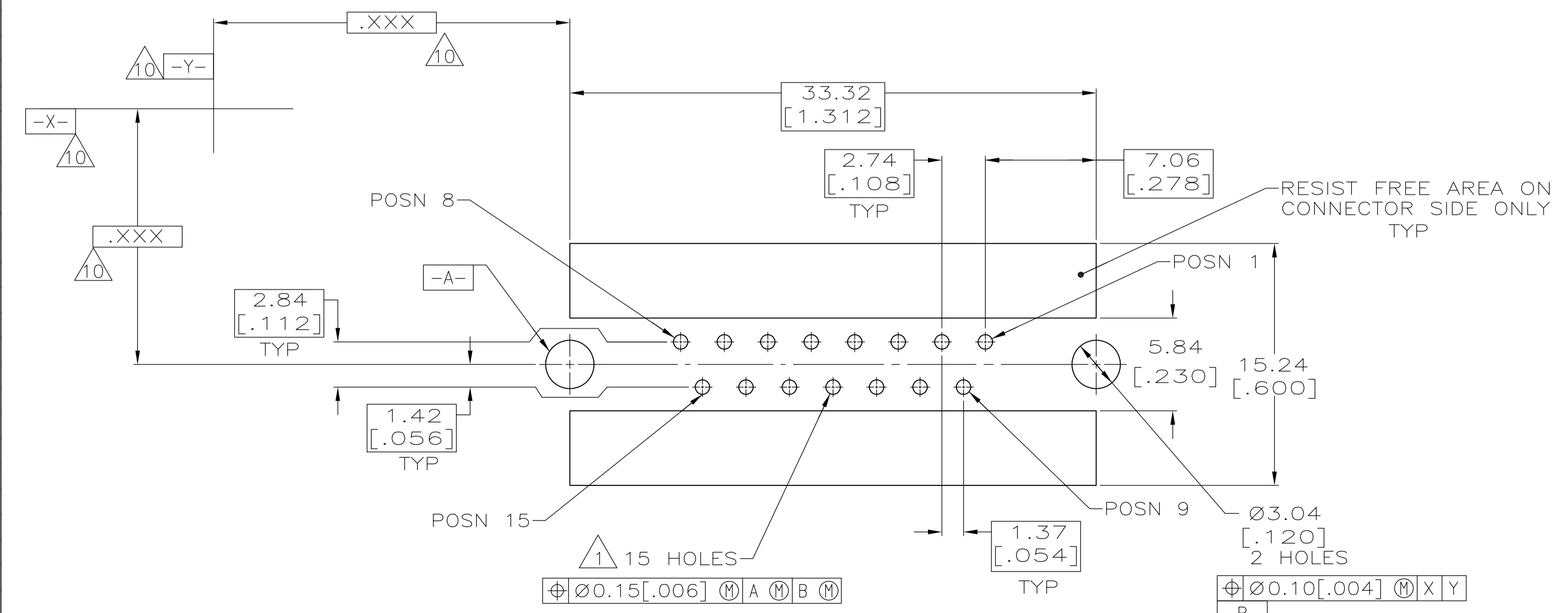
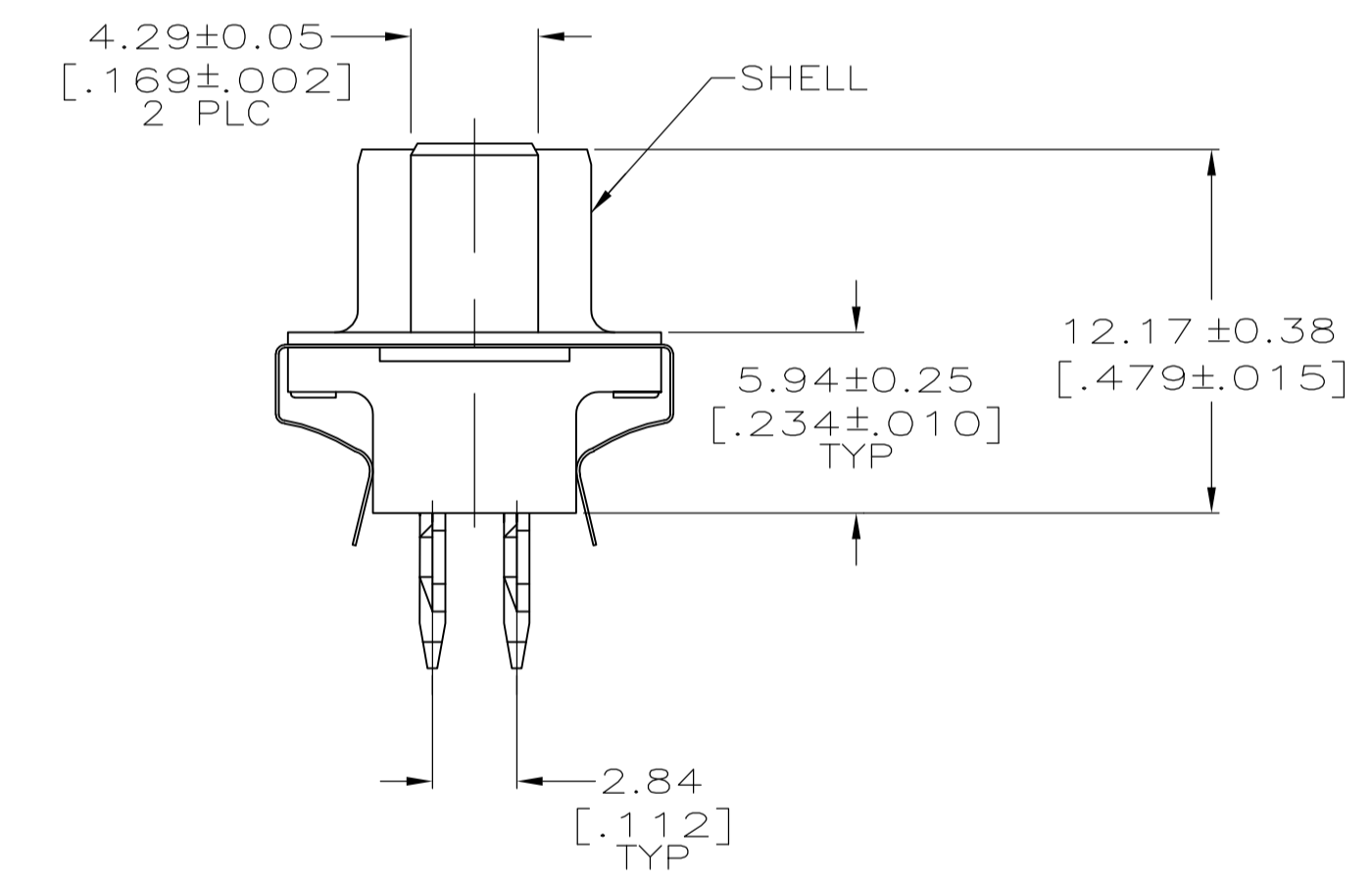
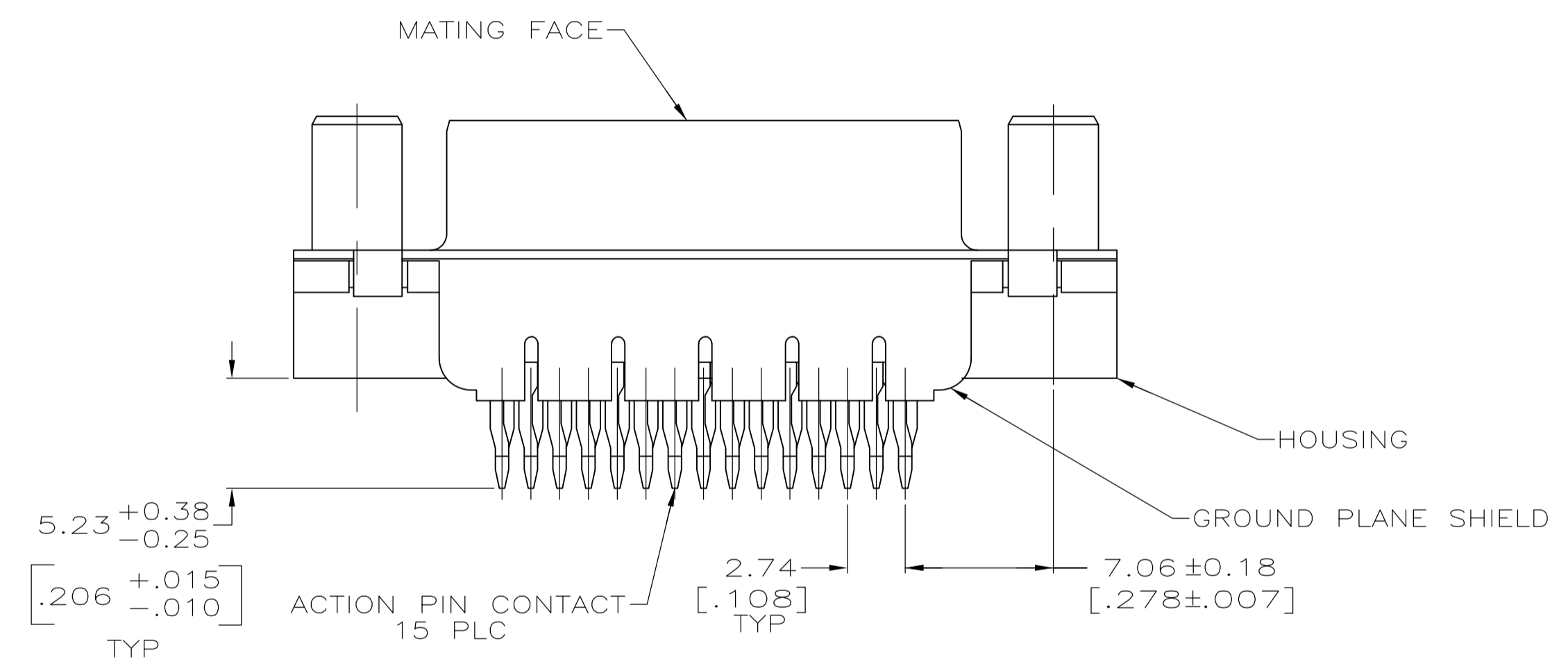
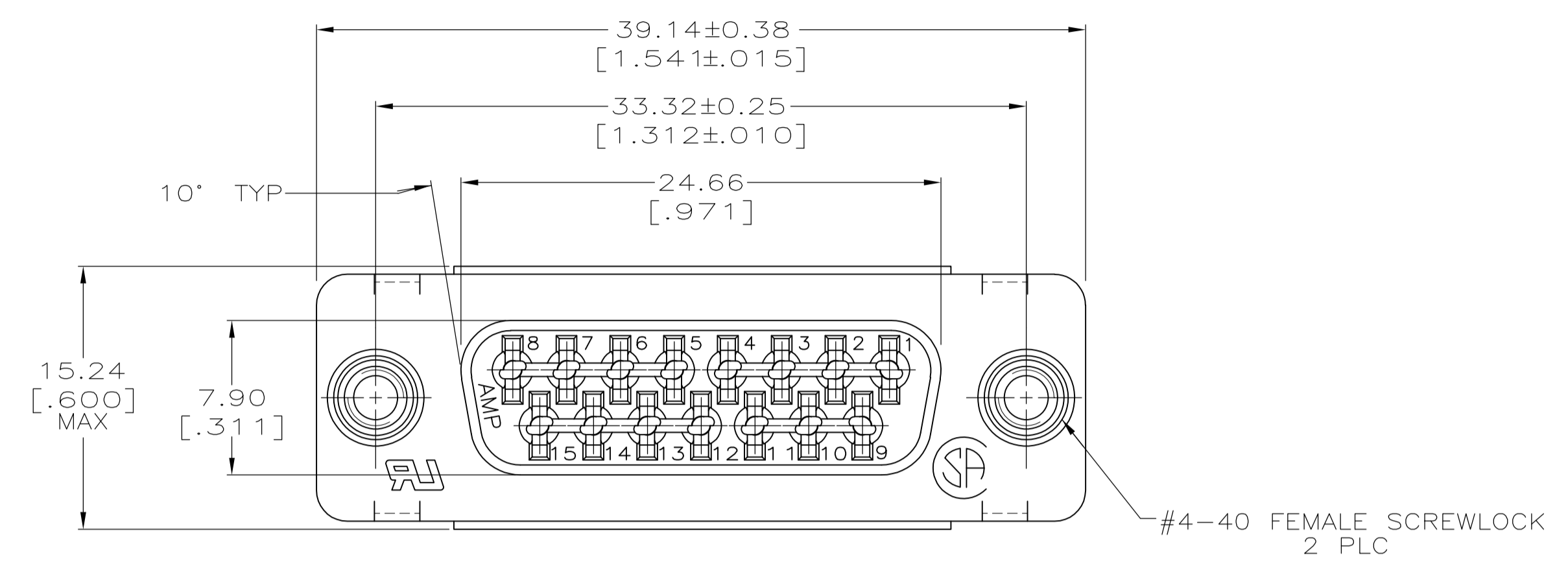


| LOC |     | DIST                      |           | REVISIONS |      |  |  |
|-----|-----|---------------------------|-----------|-----------|------|--|--|
| P   | LTR | DESCRIPTION               | DATE      | DN        | APVD |  |  |
| C   |     | REVISED PER ECO-12-000090 | 26JAN2012 | CJV       | SLB  |  |  |

- 1 FOR USE WITH 2.36 [.093] MINIMUM THICK PRINTED CIRCUIT BOARD. REFER TO APPLICATION SPECIFICATION FOR HOLE SIZE AND FINISH RECOMMENDATIONS.
- 2 HOUSING: NYLON OR POLYESTER, UL 94V-0 RATED, BLACK.
- 3 CONTACTS: COPPER ALLOY.
- 4 SHELL: CARBON STEEL.
- 5 SCREWLOCKS: ZINC.
- 6 SHIELD: 1.27±m [.000050] MIN TIN OVER 0.13µm [.000005] MIN NICKEL STRIKE.
- 7 SHELL: 5.08µm [.000200] MIN TIN OVER 2.54µm [.000100] MIN COPPER.
- 8 CONTACTS:  
0.76 MICRO METERS [.000030] MINIMUM GOLD IN MATING AREA.  
2.54 MICRO METERS [.000100] MINIMUM TIN ON COMPLIANT PIN.  
ALL OVER 1.27 MICRO METERS [.000050] MINIMUM NICKEL.  
OR  
GOLD FLASH OVER PALLADIUM NICKEL.  
0.76 MICRO METERS [.000030] MINIMUM TOTAL IN MATING AREA.  
2.54 MICRO METERS [.000100] MINIMUM TIN ON COMPLIANT PIN.  
ALL OVER 1.27 MICRO METERS [.000050] MINIMUM NICKEL.
- 9 SHIELD: STAINLESS STEEL
- 10 DATUMS AND BASIC DIMENSIONS ESTABLISHED BY CUSTOMERS.
- 11 SCREWLOCKS: CLEAR CHROMATE



RECOMMENDED PC BOARD MOUNTING DIMENSIONS 1  
CONNECTOR SIDE OF BOARD

**COPYRIGHT 2005  
TYCO ELECTRONICS CORP  
ALL RIGHTS RESERVED**

|  |  |   |                          |   |                      |
|--|--|---|--------------------------|---|----------------------|
| THIS DRAWING IS A CONTROLLED DOCUMENT. DIMENSIONING AND TOLERANCING PER ASME Y14.5M-2009 |  | DIN A FERNANDEZ-DOCKS 04-01-05<br>CHK S BOLASH 04-01-05                                 | APVD M WALMSLEY 04-01-05 | NAME  | 5748440-2<br>PART NO |
| DIMENSIONS: INCHES   |  | TOLERANCES UNLESS OTHERWISE SPECIFIED:  |                          | STE TE Connectivity   |                      |
|  |  | 0 PLC ± -<br>1 PLC ± -<br>2 PLC ± 0.13 [.005]<br>3 PLC ± -<br>4 PLC ± -<br>ANGLES ± ± ° |                          | RECEPTACLE ASSEMBLY, SIZE 2,<br>15 POSITION, ACTION PIN, FRONT METAL<br>SHELL AMPLIMITE HD-20 |                      |
| MATERIAL   |  | FINISH  |                          | SIZE  | RESTRICTED TO        |
|  |  |   |                          | A1  | 000779               |
| CUSTOMER DRAWING   |  | SCALE 4:1   |                          | SHEET 1 OF 1  | REV C                |