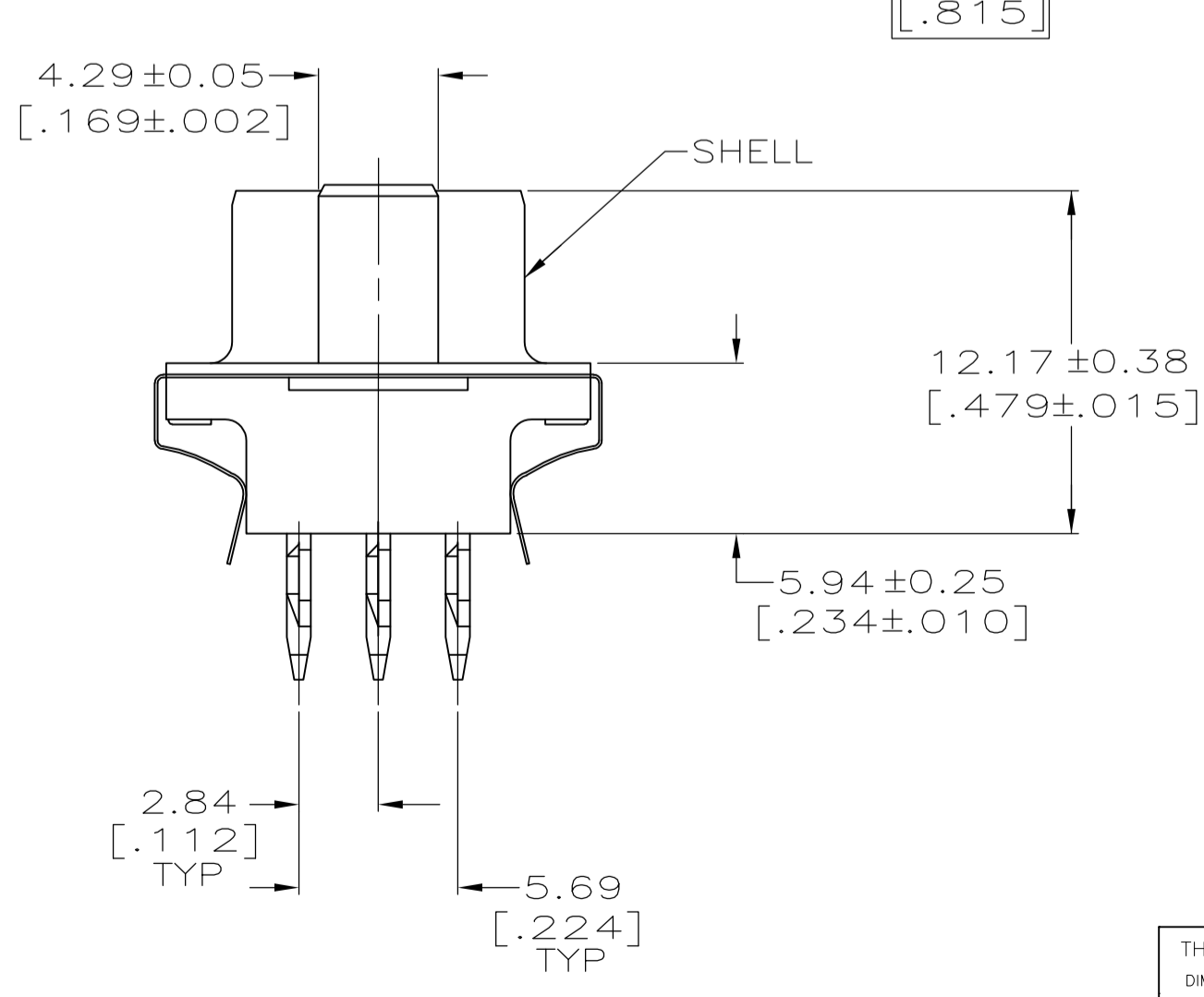
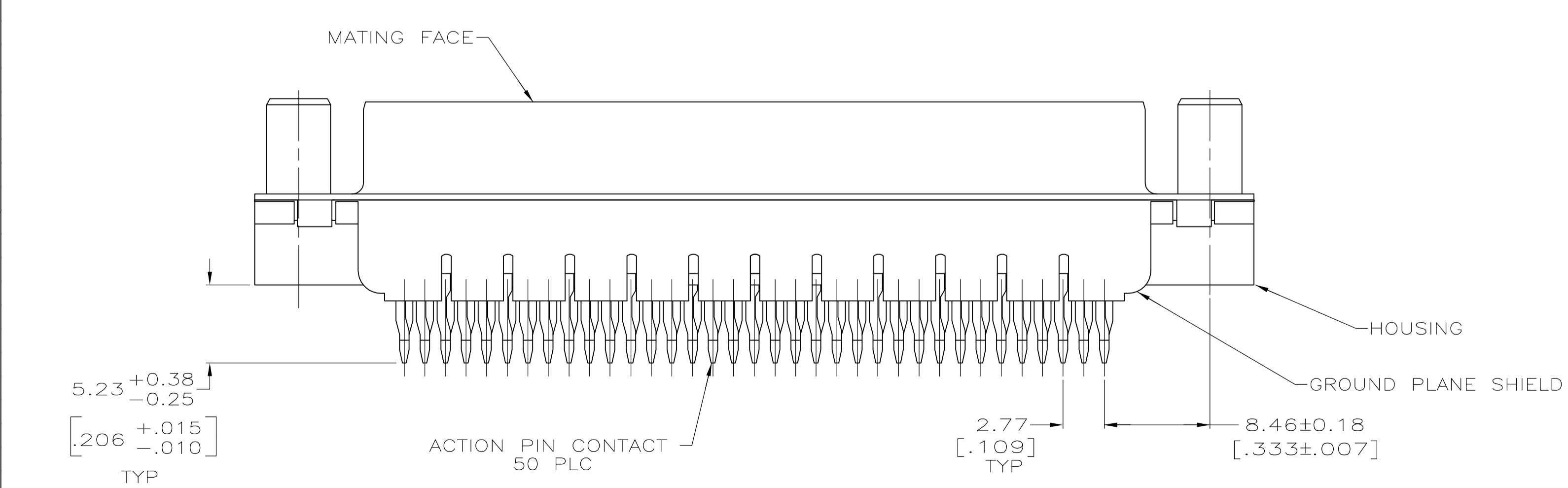
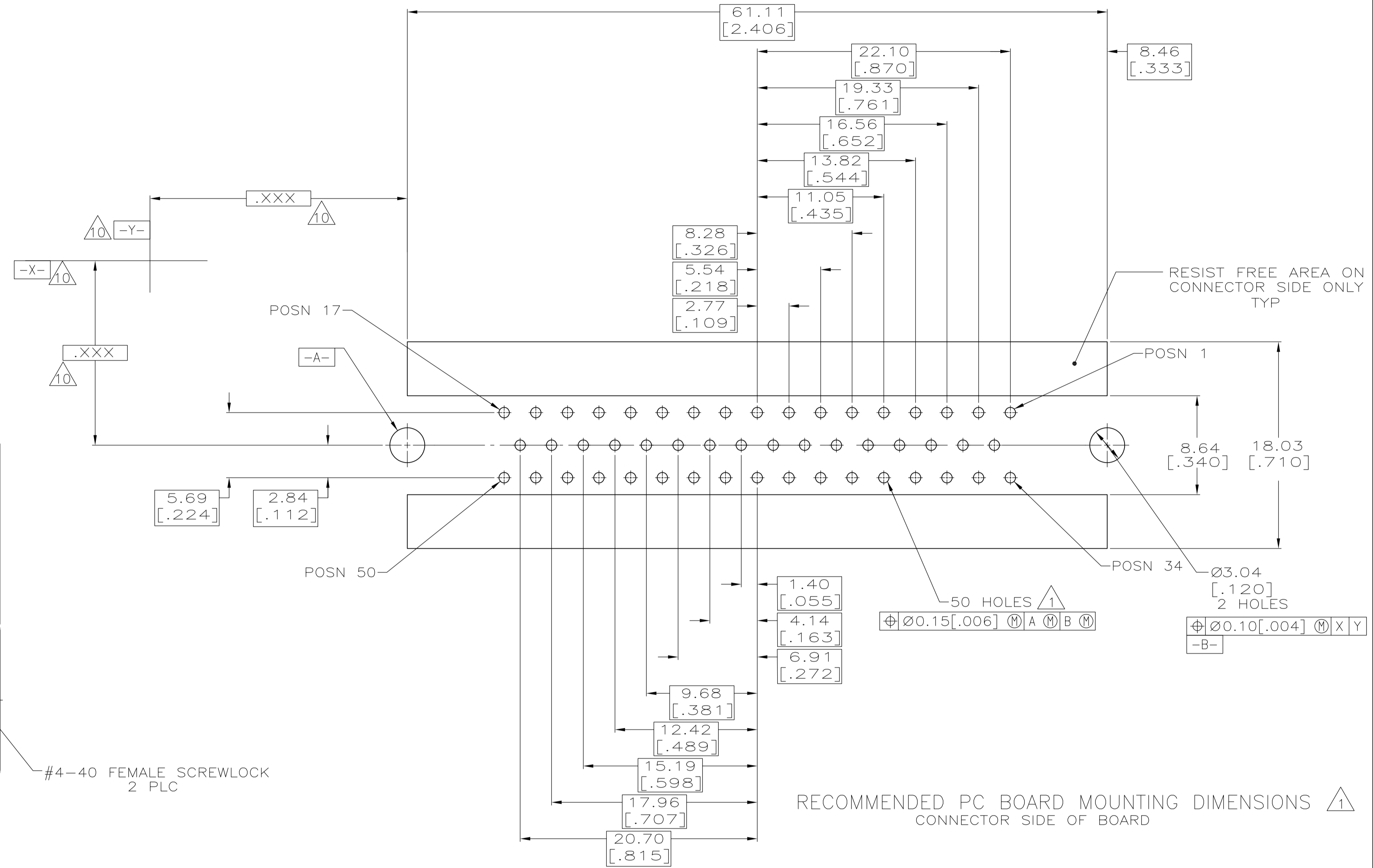
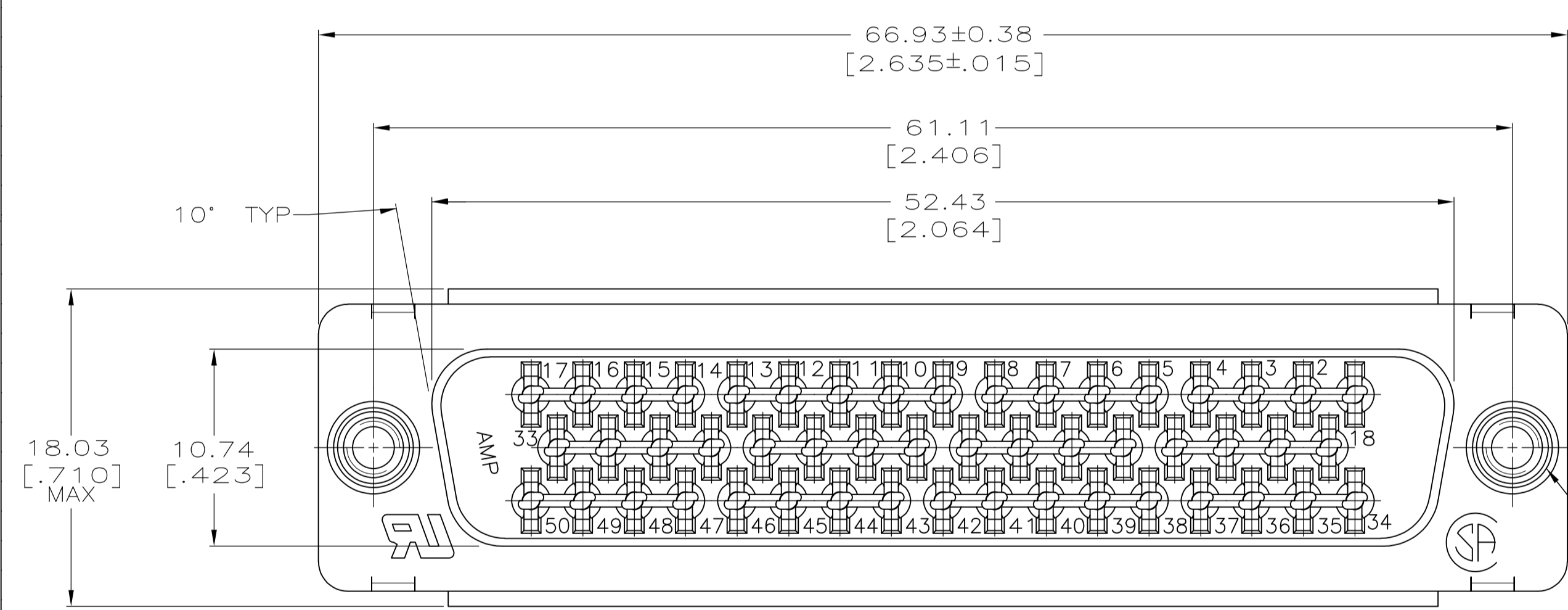


- 1 FOR USE WITH 2.36 [.093] MINIMUM THICK PRINTED CIRCUIT BOARD. REFER TO APPLICATION SPECIFICATION FOR HOLE SIZE AND FINISH RECOMMENDATIONS.
- 2 HOUSING: NYLON OR POLYESTER, UL 94V-0 RATED, BLACK.
- 3 CONTACTS: COPPER ALLOY.
- 4 SHELL: CARBON STEEL.
- 5 SCREWLOCKS: ZINC.
- 6 SHIELD: 1.27µm [.000050] MIN TIN OVER 0.13µm [.000005] MIN NICKEL STRIKE.
- 7 SHELL: 5.08µm [.000200] MIN TIN OVER 2.54µm [.000100] MIN COPPER.
- 8 CONTACTS:
0.76 MICRO METERS [.000030] MINIMUM GOLD IN MATING AREA.
2.54 MICRO METERS [.000100] MINIMUM TIN ON COMPLIANT PIN.
ALL OVER 1.27 MICRO METERS [.000050] MINIMUM NICKEL.
OR
GOLD FLASH OVER PALLADIUM NICKEL.
0.76 MICRO METERS [.000030] MINIMUM TOTAL IN MATING AREA.
2.54 MICRO METERS [.000100] MINIMUM TIN ON COMPLIANT PIN.
ALL OVER 1.27 MICRO METERS [.000050] MINIMUM NICKEL.
- 9 STAINLESS STEEL
- 10 DATUMS AND BASIC DIMENSIONS ESTABLISHED BY CUSTOMERS.
- 11 SCREWLOCKS: CLEAR CHROMATE



RECOMMENDED PC BOARD MOUNTING DIMENSIONS 1
CONNECTOR SIDE OF BOARD

**COPYRIGHT 2005
TYCO ELECTRONICS CORP
ALL RIGHTS RESERVED**

THIS DRAWING IS A CONTROLLED DOCUMENT. DIMENSIONING AND TOLERANCING PER ASME Y14.5M-2009		DIN J. ALCORTA 04-04-05		5748443-2	
DIMENSIONS: INCHES		CHK S. BOLASH 04-04-05		PART NO	
TOLERANCES UNLESS OTHERWISE SPECIFIED:		APVD M. WALMSLEY 04-04-05		TE Connectivity	
0 PLC ± -	1 PLC ± -	NAME		RECEPTACLE ASSEMBLY, SIZE 5, 50 POSITION, ACTION PIN, FRONT METAL SHELL	
2 PLC ± 0.13 [.005]	3 PLC ± -	PRODUCT SPEC		AMPLIMITE HD-20	
4 PLC ± -	ANGLES ± ±	APPLICATION SPEC		108-40014	
MATERIAL		114-40026 1		RESTRICTED TO	
FINISH		SIZE		SCALE	
2 3 4 5 9		A1		4:1	
6 7 8 11		CAGE CODE		SHEET	
CUSTOMER DRAWING		00779		1 OF 1	
		5748443		REV C	