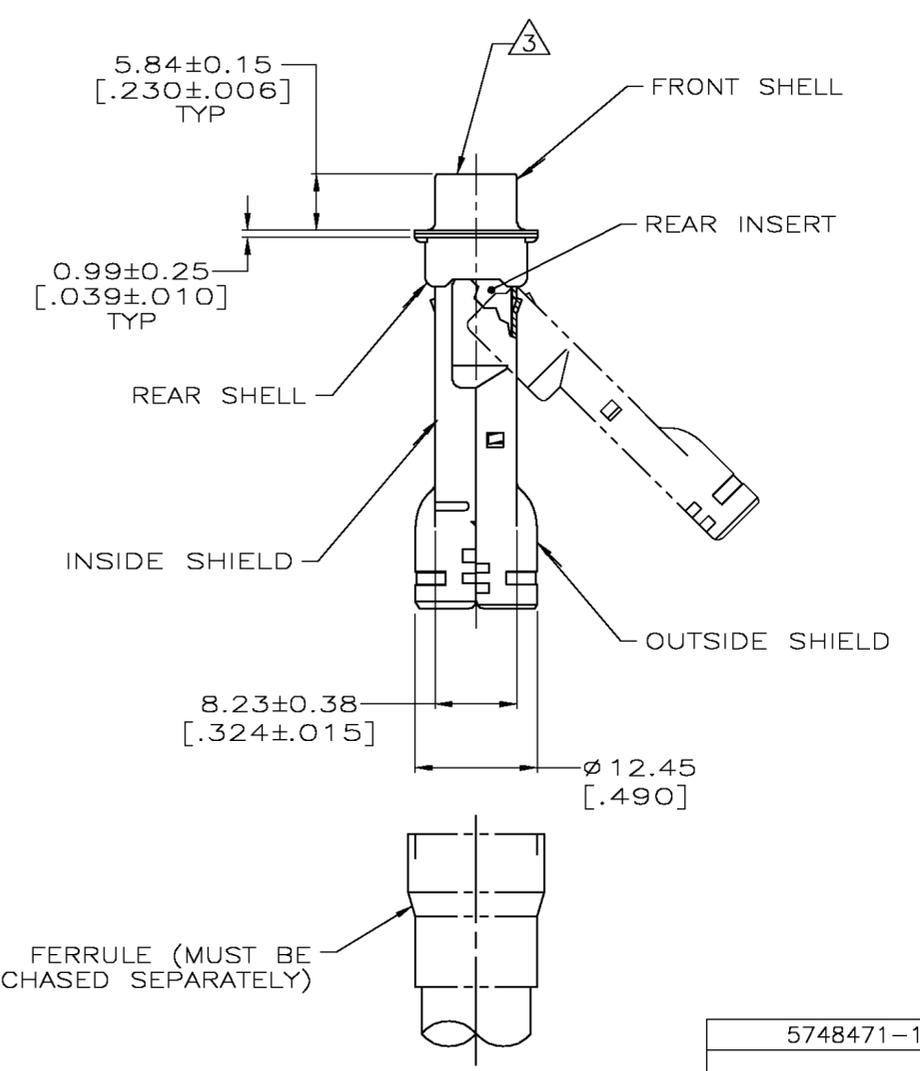
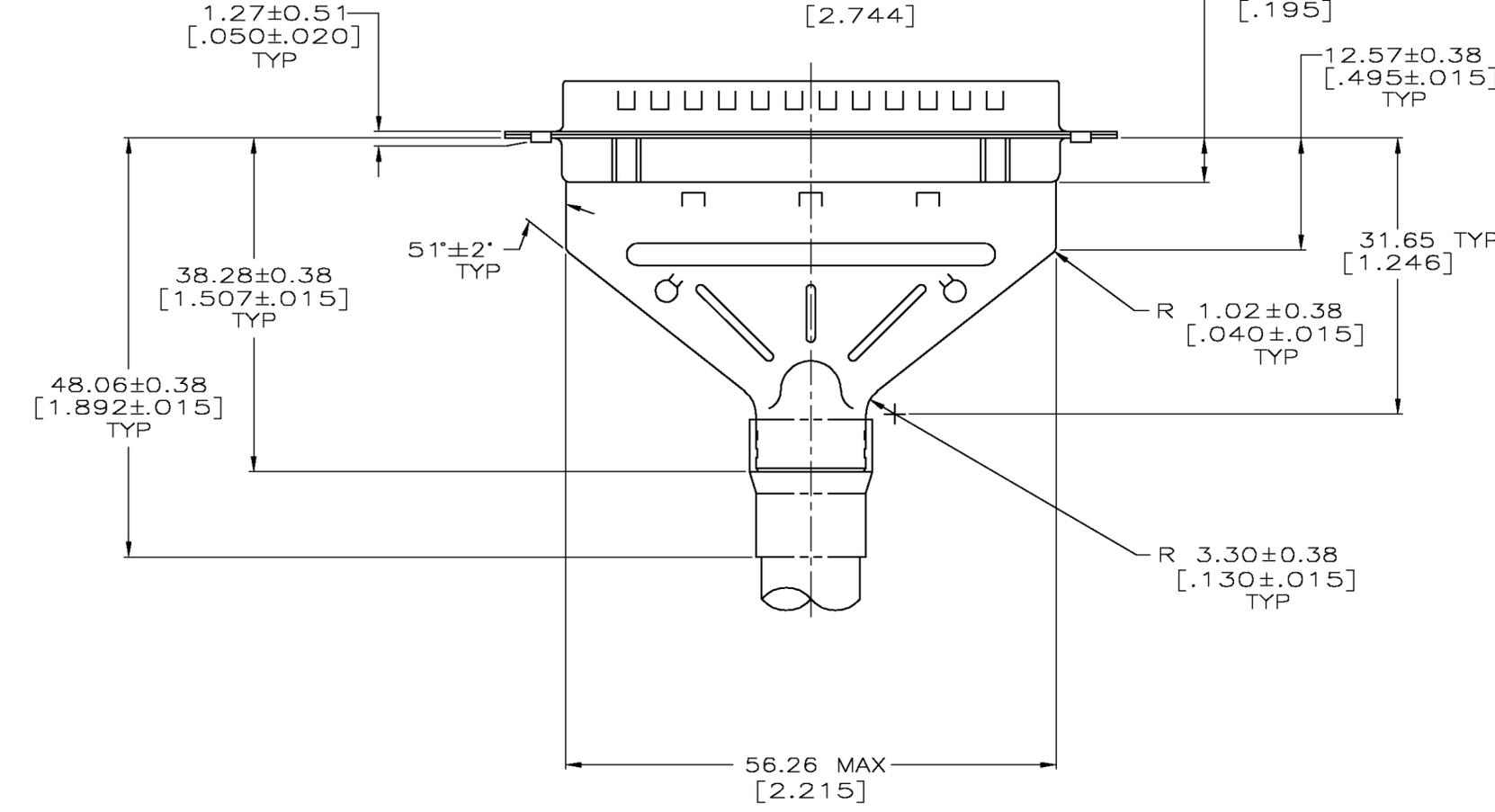
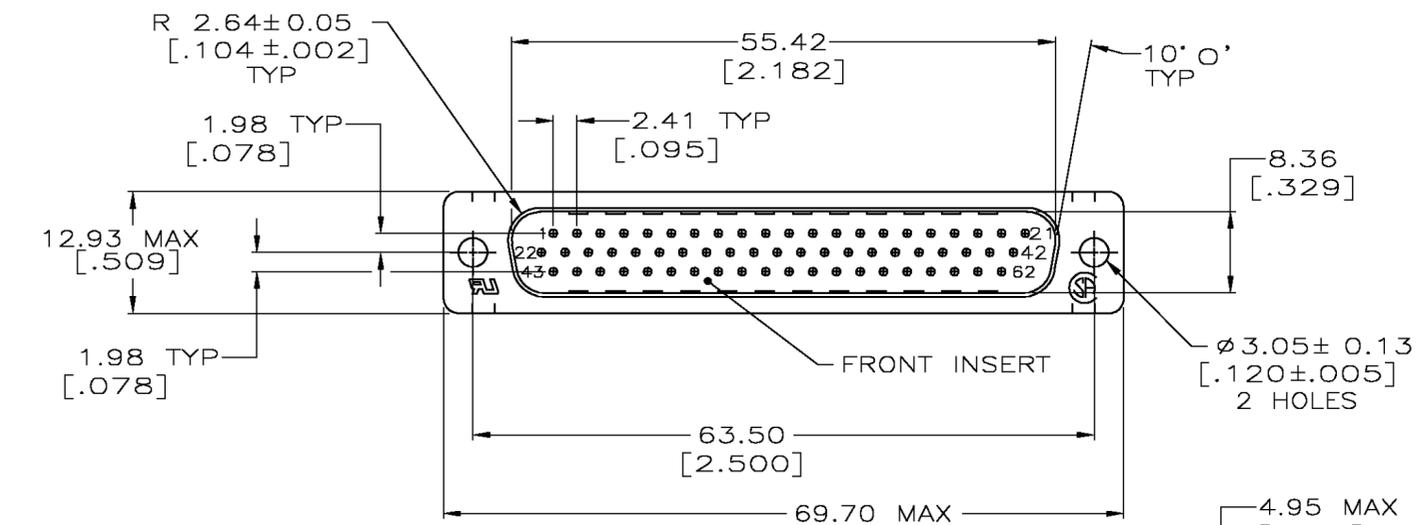


THIS DRAWING IS UNPUBLISHED. RELEASED FOR PUBLICATION
 © COPYRIGHT BY TYCO ELECTRONICS CORPORATION. ALL RIGHTS RESERVED.

| LOC | DIST | REVISIONS | | | |
|-----|------|-------------|------------------------------|----------|-------|
| P | LTR | DESCRIPTION | DATE | DWN | APVD |
| GP | 00 | 0 | RELEASED PER EC 0513-0257-04 | 11-10-04 | GA JG |



FERRULE (MUST BE PURCHASED SEPARATELY)

- ▲ INSERTS: NYLON, BLACK, UL 94V-0 RATED. SHELLS & SHIELDS: CARBON STEEL PER ASTM A109.
- ▲ SHELLS & SHIELDS: 5.08 μm [.000200] MIN TIN OVER 2.54 μm [.000100] MIN COPPER.
- ▲ PLUG ACCEPTS SIZE 22 PIN CONTACTS. (CONTACTS MUST BE PURCHASED SEPARATELY).

5748471-1
 PART NUMBER

| | | | | |
|----------------------------------------|-------------------|---------------------------------------------------------------------------------------------|-----------------------------------------------------------|-----------------------|
| THIS DRAWING IS A CONTROLLED DOCUMENT. | | DWN G. ATTADIA - DOCK5 11-10-04 | Tyco Electronics Corporation Harrisburg, PA 17105-3608 | |
| DIMENSIONS: mm [inches] | | CHK J. GERACE 11-10-04 | APVD M. WALMSLEY 11-10-04 | |
| TOLERANCES UNLESS OTHERWISE SPECIFIED: | | NAME PLUG KIT, UNASSEMBLED, SHIELDING HARDWARE, SIZE 4, 62 POSN, HDP-22, AMPLIMITE | | |
| 0 PLC ± - | 1 PLC ± - | PRODUCT SPEC 108-1268 | | |
| 2 PLC ± 0.13 [.005] | 3 PLC ± - | APPLICATION SPEC 114-10001 | | |
| 4 PLC ± - | ANGLES ± ± 0° 30' | SIZE A2 | | |
| MATERIAL ▲ | FINISH ▲ | WEIGHT - | CAGE CODE 00779 | DRAWING NO 5748471 |
| CUSTOMER DRAWING | | SCALE 2:1 | | SHEET 1 OF 1 |
| | | REV 0 | | RESTRICTED TO - |