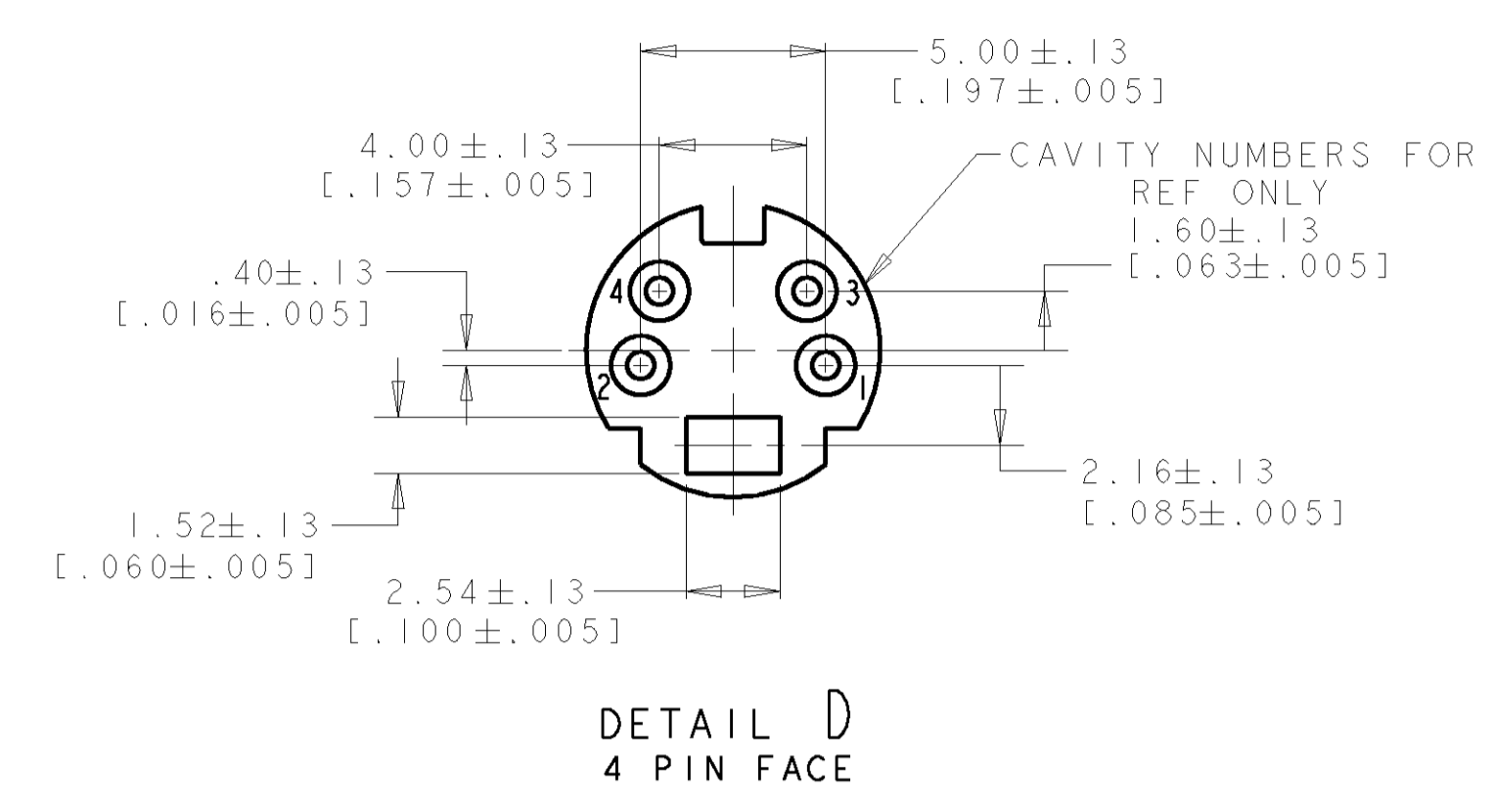
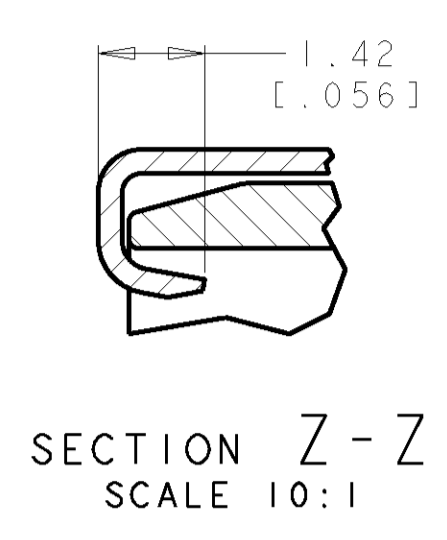
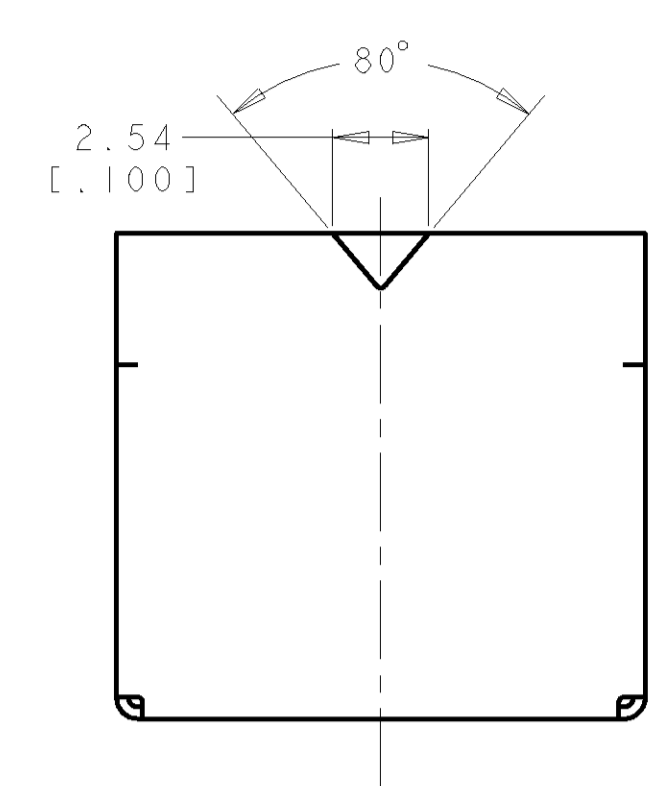
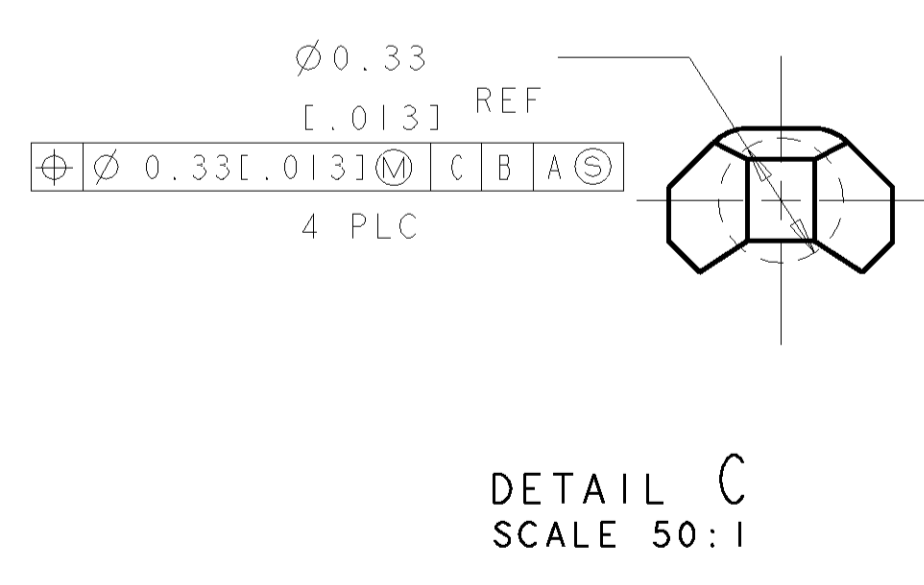
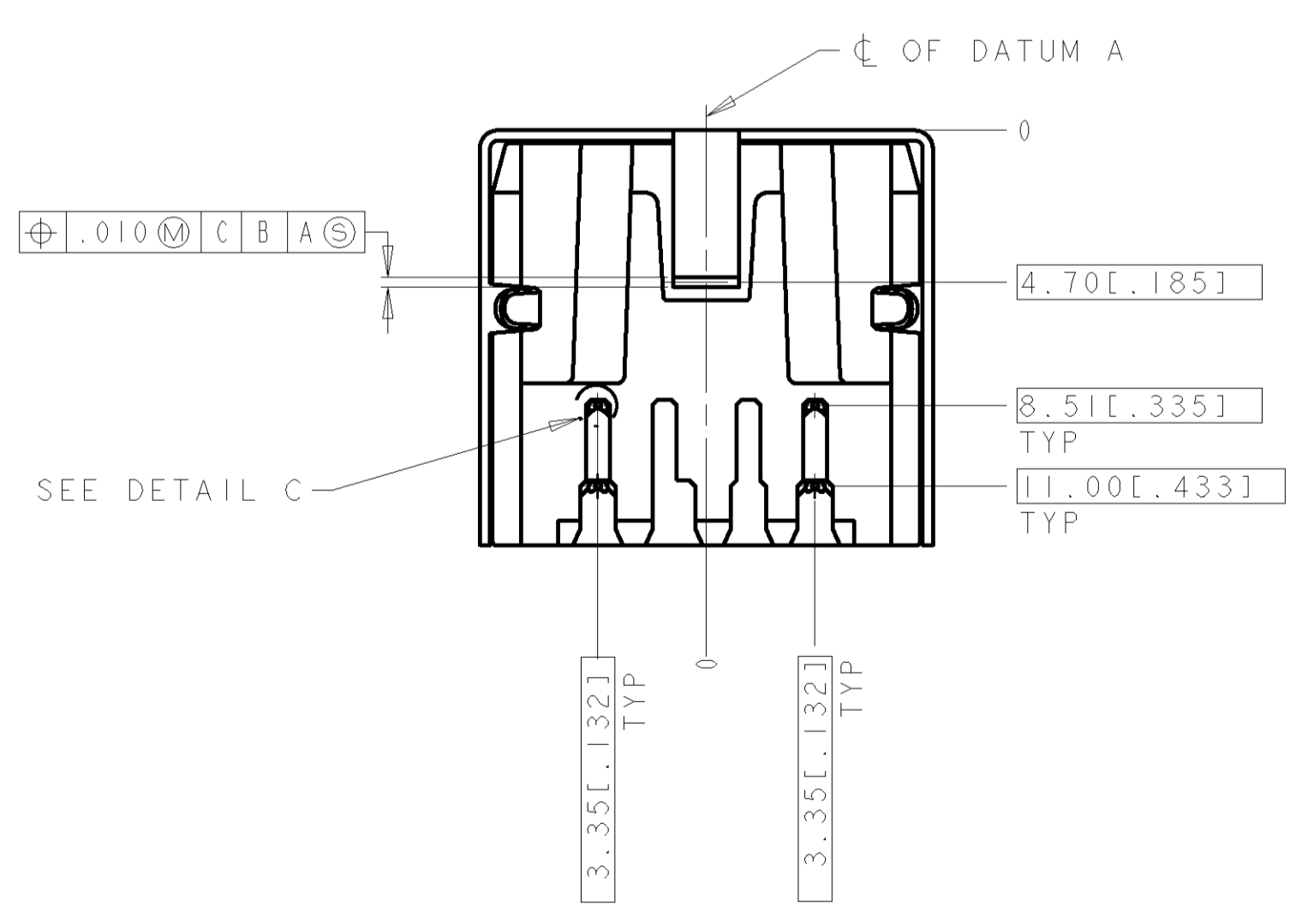
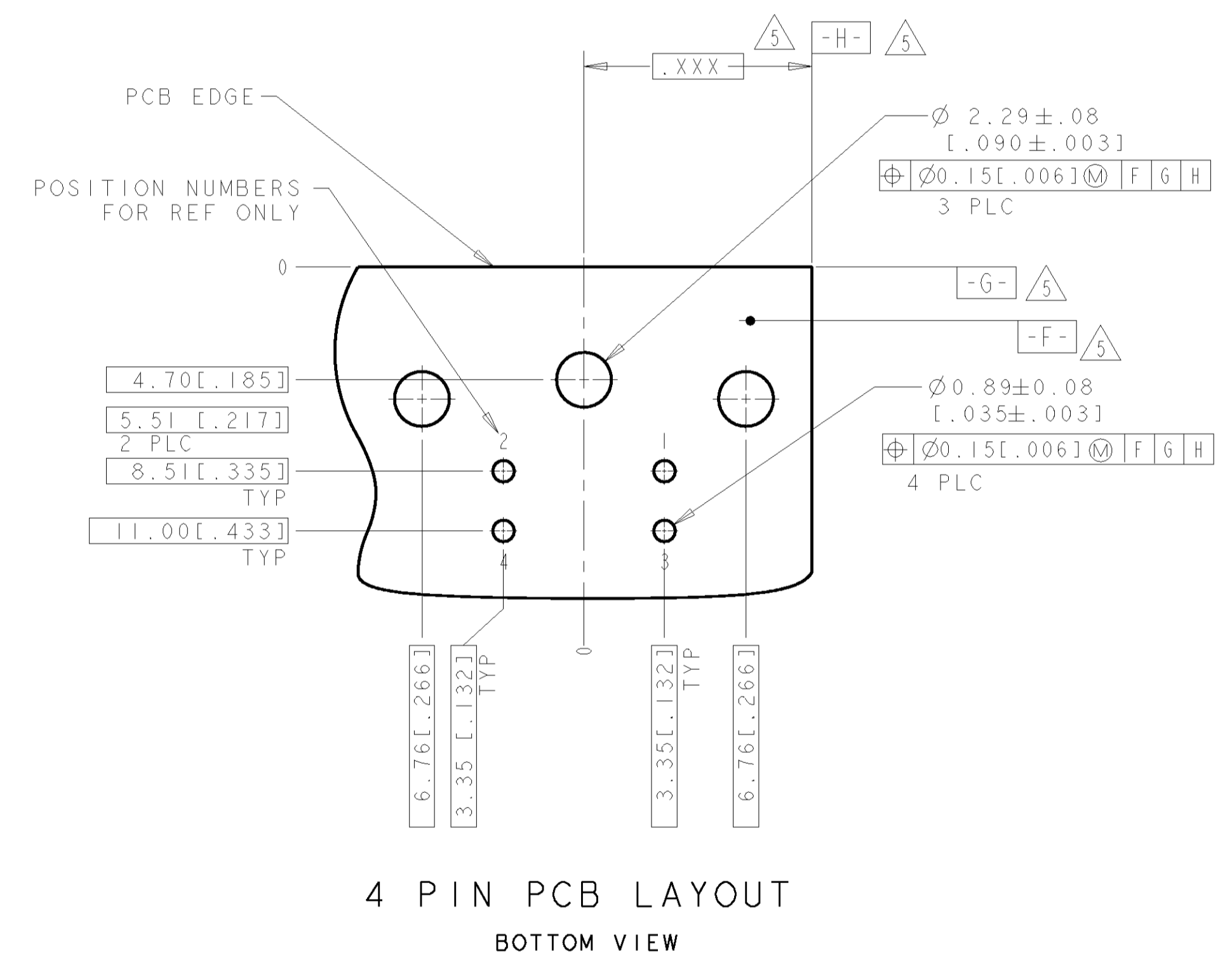
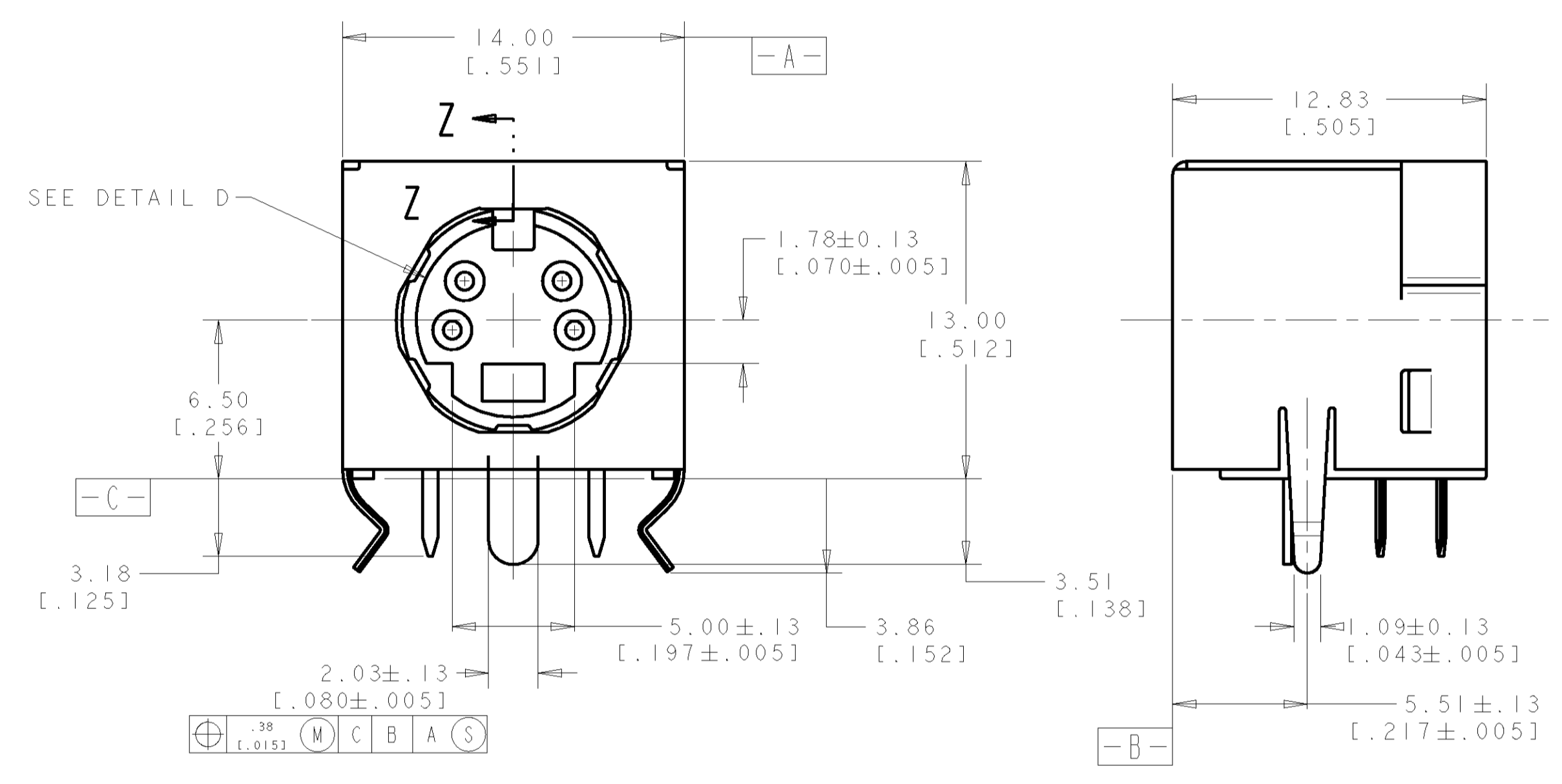


LOC	DIST	REV	DESCRIPTION	DATE	DNM	APRD
DY	-	P	REVISED PER ECO-11-005139	19MAR11	RK	HMR



- ⚠ RECEPTACLE CONTACTS: COPPER ALLOY.
RECEPTACLE SHIELD: COPPER ALLOY.
HOUSING: THERMOPLASTIC, COLOR: SEE TABLE, UL 94V-0 RATED.
- ⚠ PLATING:
RECEPTACLE CONTACTS - GOLD PLATED .00076 MIN [0.00030 MIN] THICK
ON MATING END, MATTE-TIN PLATED .0030 MIN [0.00120 MIN] THICK
ON SOLDER TAIL ALL OVER .0013 MIN [0.00050 MIN] THICK NICKEL.
- ⚠ PLATING:
SHIELD: PRE-TIN PLATED
- 4. RECEPTACLE ASSEMBLY MATES WITH 4 PIN 9.00±.10 [0.354±.004] DIAMETER PLUG.
- ⚠ DATUMS AND BASIC DIMENSION SUPPLIED BY CUSTOMER.



BLACK	5749181-1
HOUSING COLOR	PART NO

DIMENSIONS: mm [INCHES]		TOLERANCES UNLESS OTHERWISE SPECIFIED:		DWN WYLLIE 31DEC2004 CHK SF LEONG APRD SF LEONG	
0 PLC	±	0.38 [0.015]	±	PRODUCT SPEC	NAME RECEPTACLE ASSY W/ HOLD DOWN, 4 POS RIGHT ANGLE, MINIATURE CIRCULAR DIN
1 PLC	±	0.38 [0.015]	±	APPLICATION SPEC	SIZE 108-1225
2 PLC	±	0.38 [0.015]	±	WEIGHT	114-40031
3 PLC	±	0.38 [0.015]	±	CAGE CODE	A1 00779
4 PLC	±	0.38 [0.015]	±	DRAWING NO	C=5749181
5 PLC	±	0.38 [0.015]	±	SCALE	5:1
6 PLC	±	0.38 [0.015]	±	SHEET	1 OF 1
7 PLC	±	0.38 [0.015]	±	REV	P
8 PLC	±	0.38 [0.015]	±	CUSTOMER DRAWING	