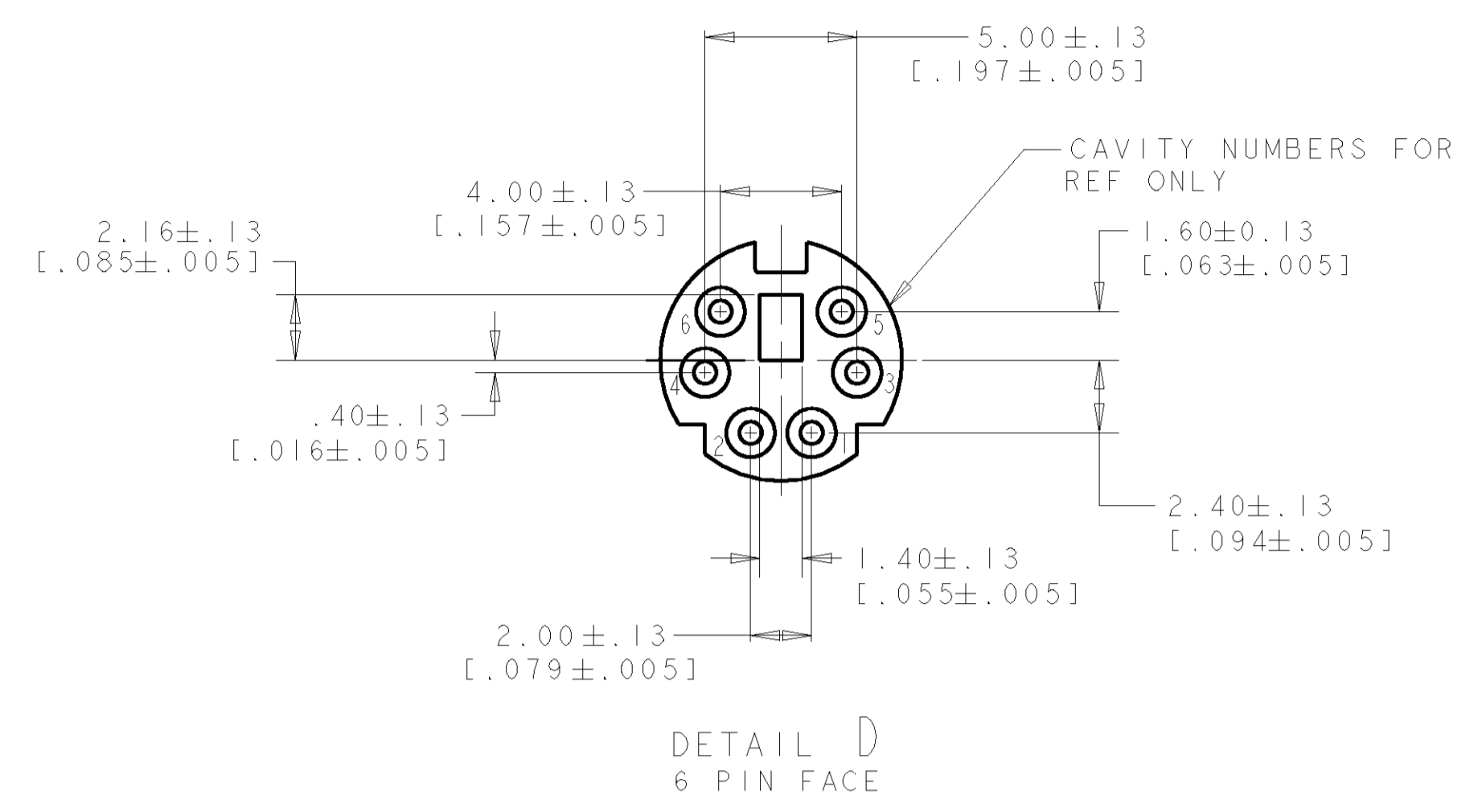
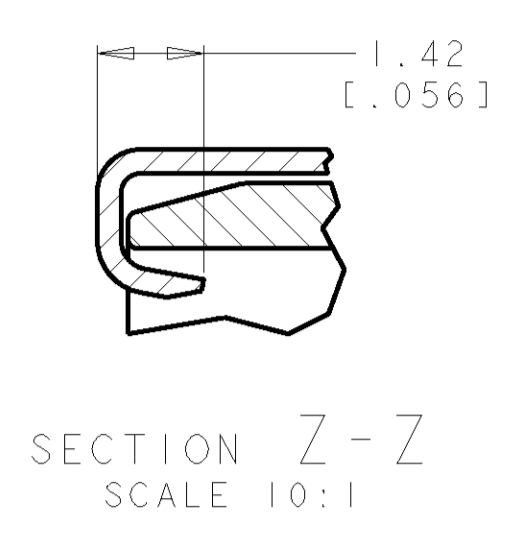
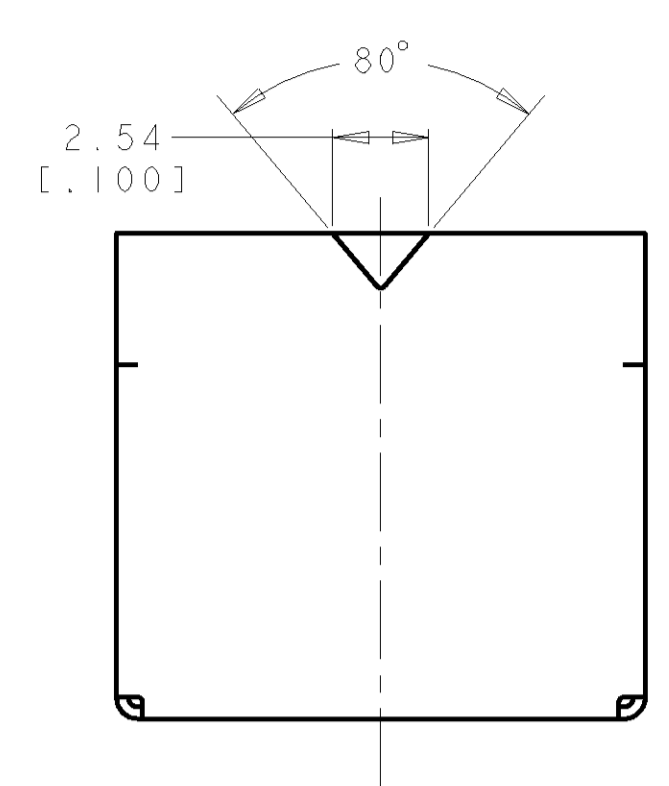
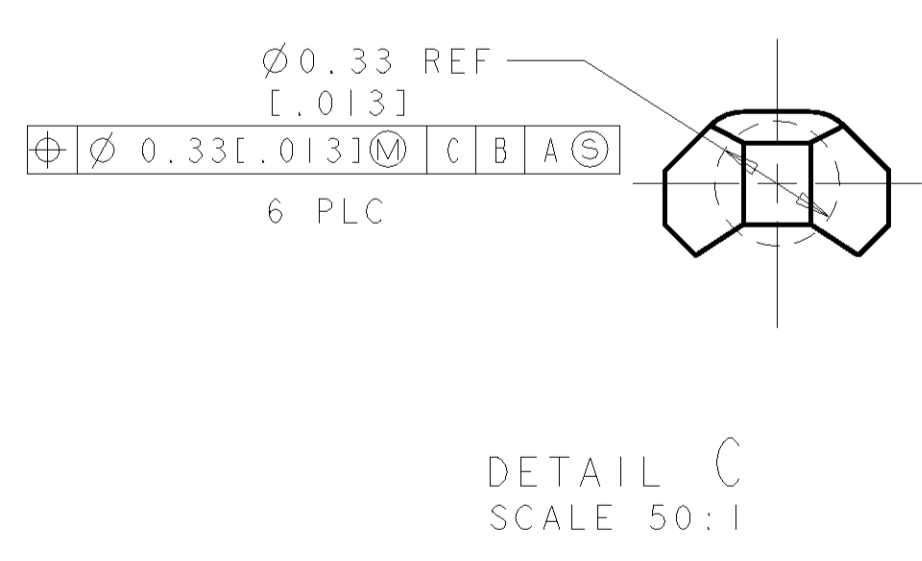
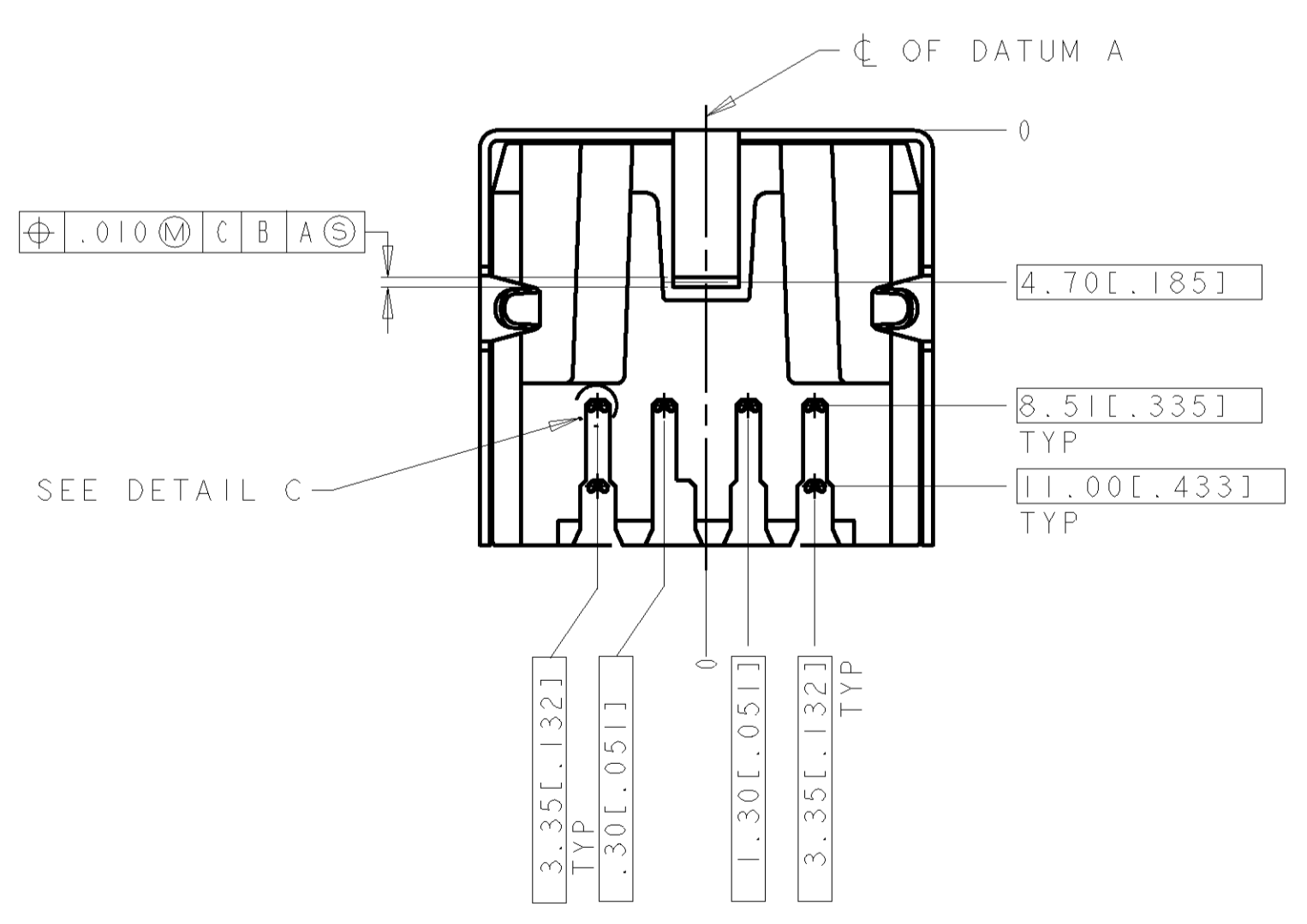
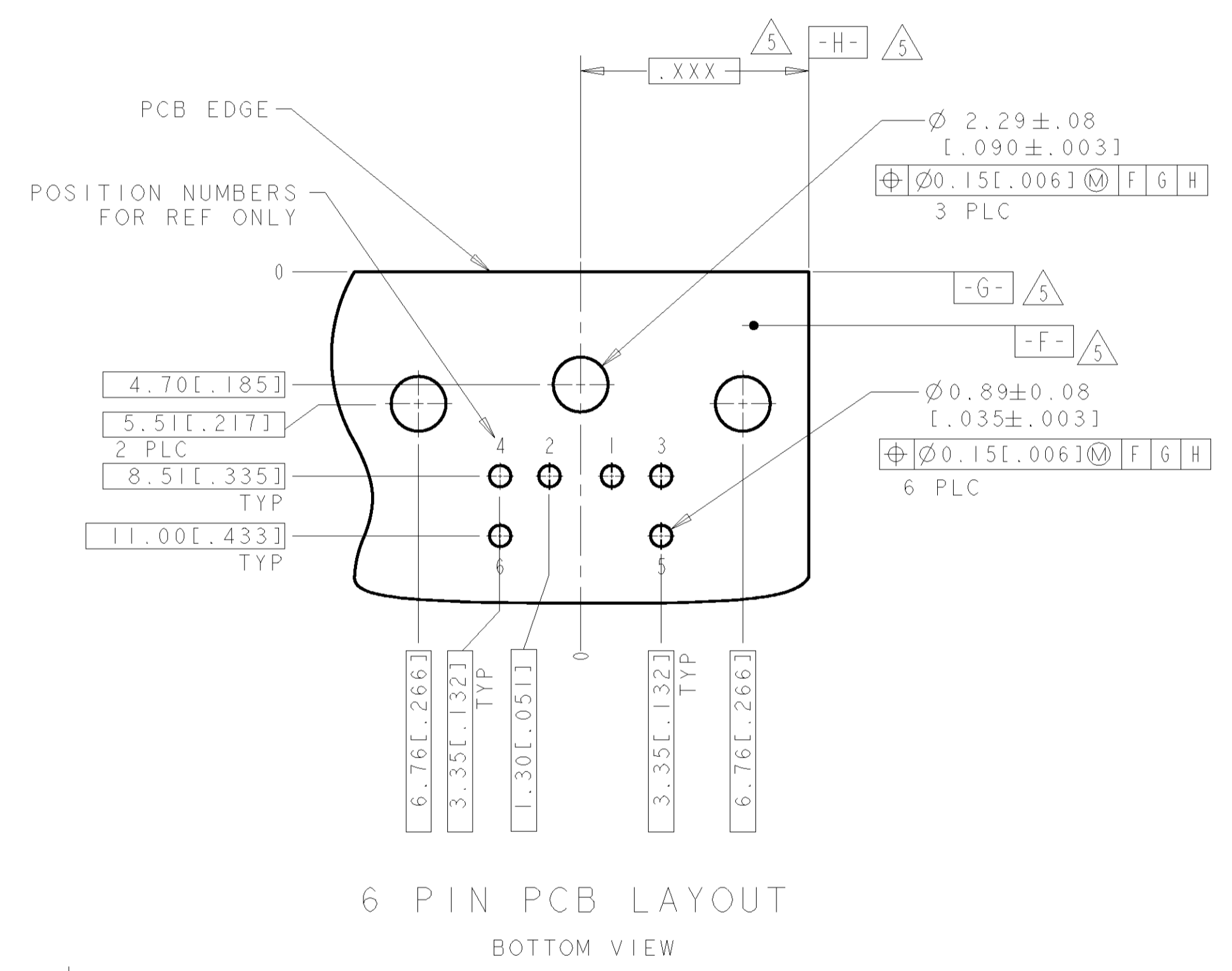
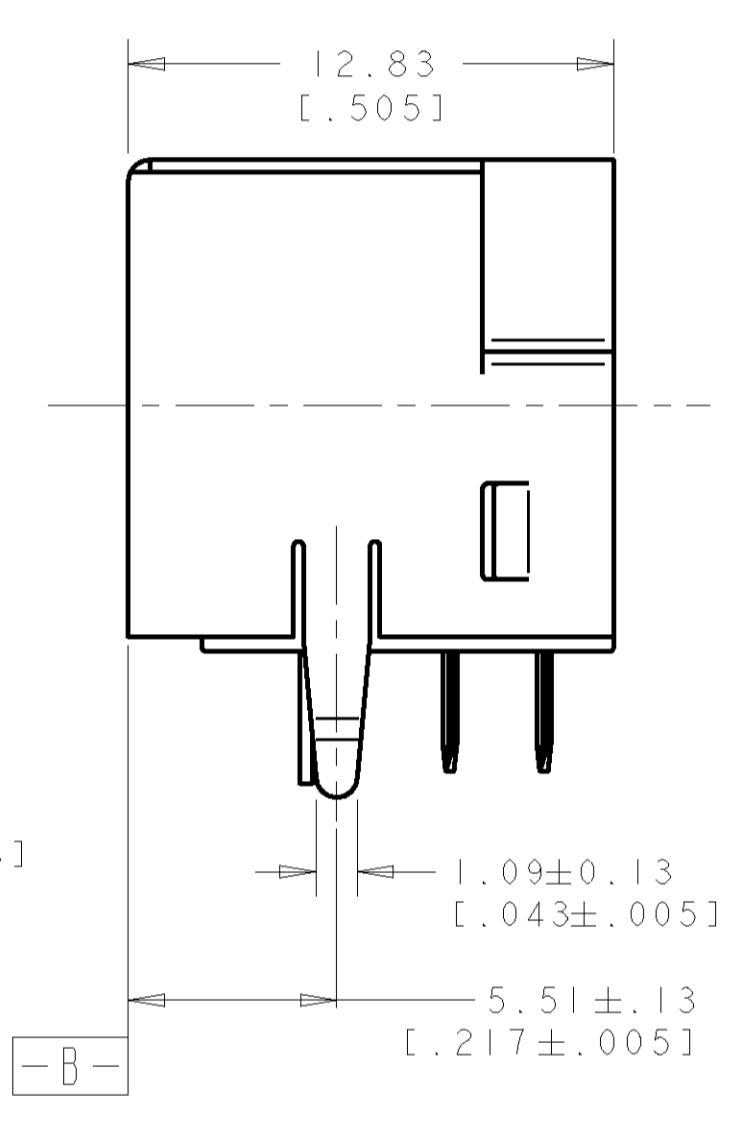
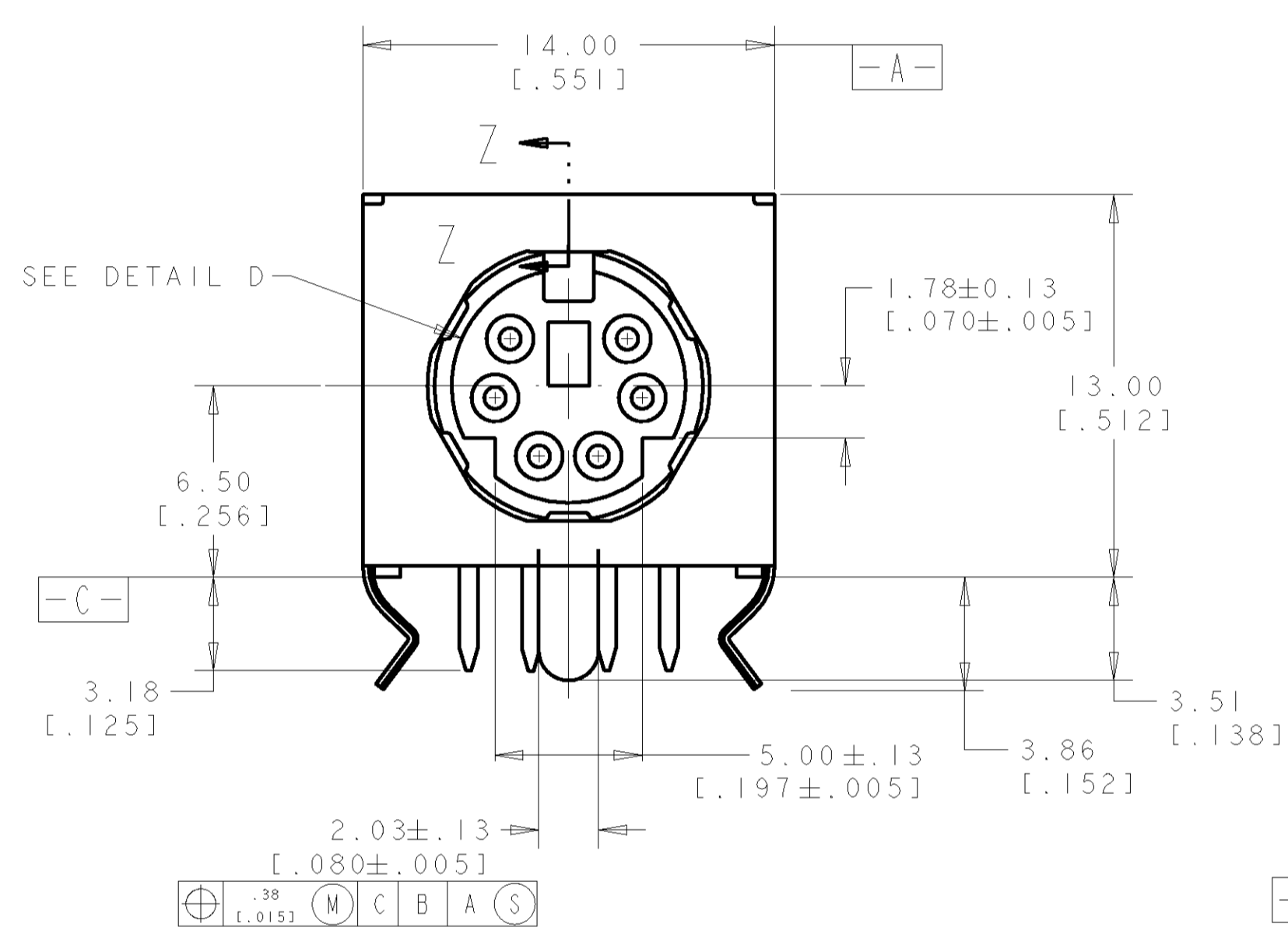


LOC	DIST	REVISIONS			
BY	DATE	DESCRIPTION	DATE	DNM	APRD
P		REVISED PER ECO-11-005139	19MAR11	RK	HMR



- 1 RECEPTACLE CONTACTS: COPPER ALLOY.
RECEPTACLE SHIELD: COPPER ALLOY.
HOUSING: THERMOPLASTIC, BLACK, 94V-0 RATED.
- 2 PLATING:
RECEPTACLE CONTACTS - GOLD FLASH PLATED ON MATING END, MATTE-TIN PLATED .0030 MIN [0.000120 MIN] THICK ON SOLDER TAIL ALL OVER .0013 MIN [0.000050 MIN] THICK NICKEL.
- 3 PLATING:
SHIELD: PRE-TIN PLATED
- 4 RECEPTACLE ASSEMBLY MATES WITH 6 PIN 9.00±.10 [0.354±.004] DIAMETER PLUG.
- 5 DATUMS AND BASIC DIMENSION SUPPLIED BY CUSTOMER.



P/N: 5749231-1 AS SHOWN

DIMENSIONS: mm [INCHES]		TOLERANCES UNLESS OTHERWISE SPECIFIED:		DW: WYLEE 03JAN2005		CS: SF LEONG		APRD: SF LEONG		NAME: RECEPTACLE ASSY W/ HOLD DOWN, 6 POS., RIGHT ANGLE, MINIATURE CIRCULAR DIN	
0 PLC ±		1 PLC ±		2 PLC ±		3 PLC ±		4 PLC ±		PRODUCT SPEC: 108-1225	
5 PLC ±		6 PLC ±		7 PLC ±		8 PLC ±		9 PLC ±		APPLICATION SPEC: -	
MATERIAL: 1		FINISH: 2, 3		WEIGHT: -		SIZE: A1		CAGE CODE: 00779		DRAWING NO: 5749231	
CUSTOMER DRAWING		SCALE: 5:1		SHEET: 1		OF: 1		REV: P			