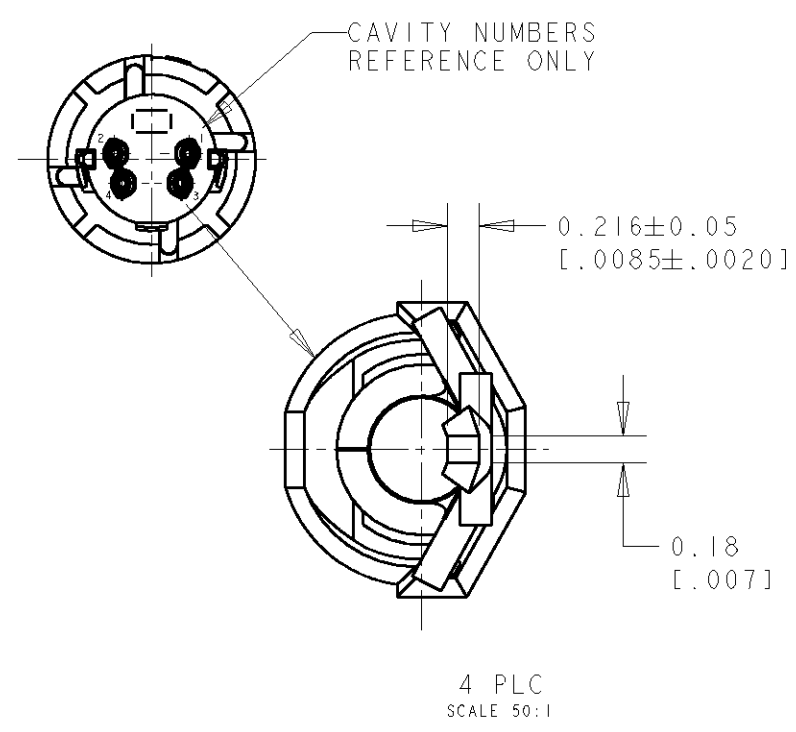
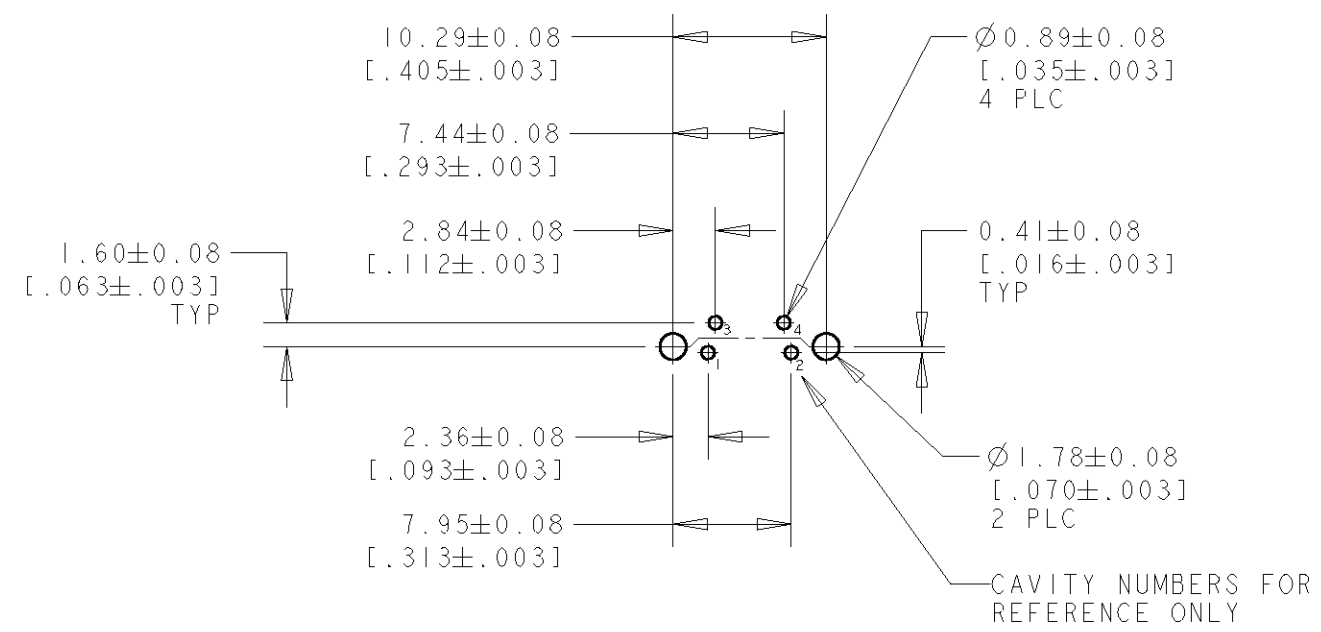
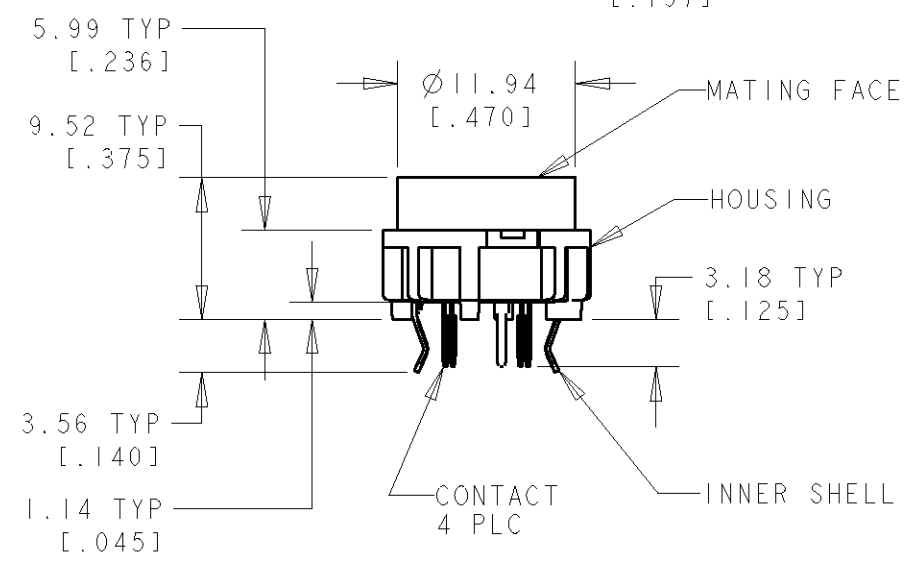
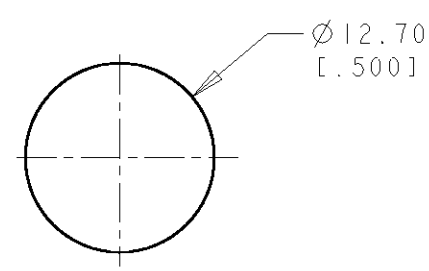
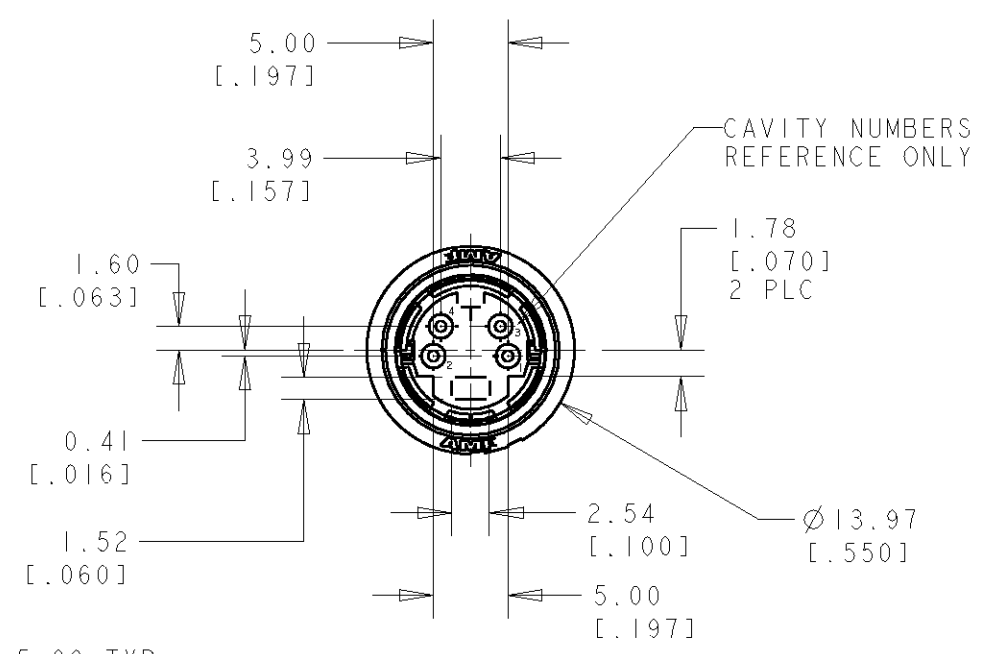


THIS DRAWING IS UNPUBLISHED. RELEASED FOR PUBLICATION .19
 © COPYRIGHT 19 BY AMP INCORPORATED. ALL RIGHTS RESERVED.

| LOC | DIST | REVISIONS | | | |
|-----|------|---------------------|---------|-----|------|
| P | LTR | DESCRIPTION | DATE | DWN | APVD |
| | | 0 NPR ECR-05-008264 | 21JUN05 | LWY | SYJ |

- NOTES:
- 1 SHELLS: BRASS
CONTACTS: PHOSPHOR BRONZE
HOUSING: POLYESTER, UL 94V-0 RATED, BLACK
 - 2 0.38um [.000015] MIN GOLD ON MATING END FOR A LENGTH OF 1.37[.054] MIN ON INSIDE, 2.54um [.000100] MIN TIN FOR A LENGTH OF 3.30um [.130] MIN FROM OPPOSITE END, ALL OVER 1.27um [.000050] MIN NICKEL.
 - 3 0.76um [.000030] MIN GOLD ON MATING END FOR A LENGTH OF 1.37[.054] MIN ON INSIDE, 2.54um [.000100] MIN TIN FOR A LENGTH OF 3.30um [.130] MIN FROM OPPOSITE END, ALL OVER 1.27um [.000050] MIN NICKEL.
 - 4 2.54um [.000100] MIN TIN OVER 1.27um [.000050] MIN COPPER.
 - 5. RECEPTACLE ASSEMBLY MATES WITH 4 PIN, Ø8.99±0.10 [.354±.004] PLUG.



RECOMMENDED PC BOARD LAYOUT
BOTTOM VIEW

| | | |
|--------------------|----------------|-----------|
| 4 | 3 | 5750315-2 |
| 4 | 2 | 5750315-1 |
| INNER SHELL FINISH | CONTACT FINISH | PART NO. |

| | | | | |
|---|--|----------------------|--|-----------------|
| THIS DRAWING IS A CONTROLLED DOCUMENT FOR AMP INCORPORATED. IT IS SUBJECT TO CHANGE AND THE CONTROLLING ENGINEERING ORGANIZATION SHOULD BE CONTACTED FOR THE LATEST REVISION. | | DWN WY LEE 21JUN2005 | Tyco Electronics Singapore Pte. Ltd. | |
| DIMENSIONS: mm [INCHES] | TOLERANCES UNLESS OTHERWISE SPECIFIED: | CHK YJ SEE | NAME RECEPTACLE ASSEMBLY, 4 POSN, LOW FLANGE, UNSHIELDED, VERTICAL, MINIATURE CIRCULAR DIN, LF | |
| 0 PLC ± - | 1 PLC ± - | APVD SF LEONG | SIZE A3 | CAGE CODE 00779 |
| 2 PLC ± 0.13 [.005] | 3 PLC ± - | PRODUCT SPEC - | DRAWING NO 5750315 | |
| 4 PLC ± - | ANGLES ± - | APPLICATION SPEC - | SCALE 10: | SHEET 1 OF 1 |
| MATERIAL 1 | FINISH SEE TABLE | WEIGHT - | REV 0 | |
| CUSTOMER DRAWING | | | | |