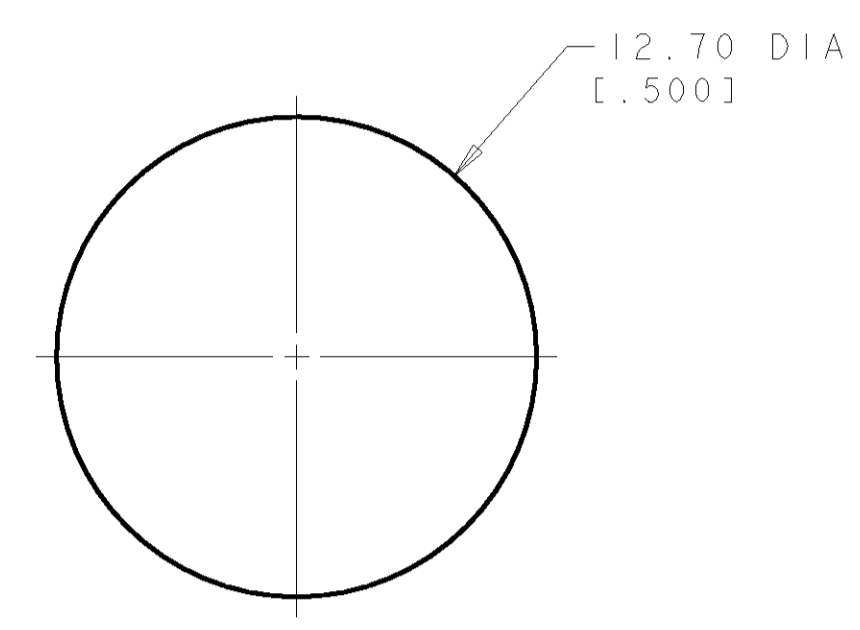
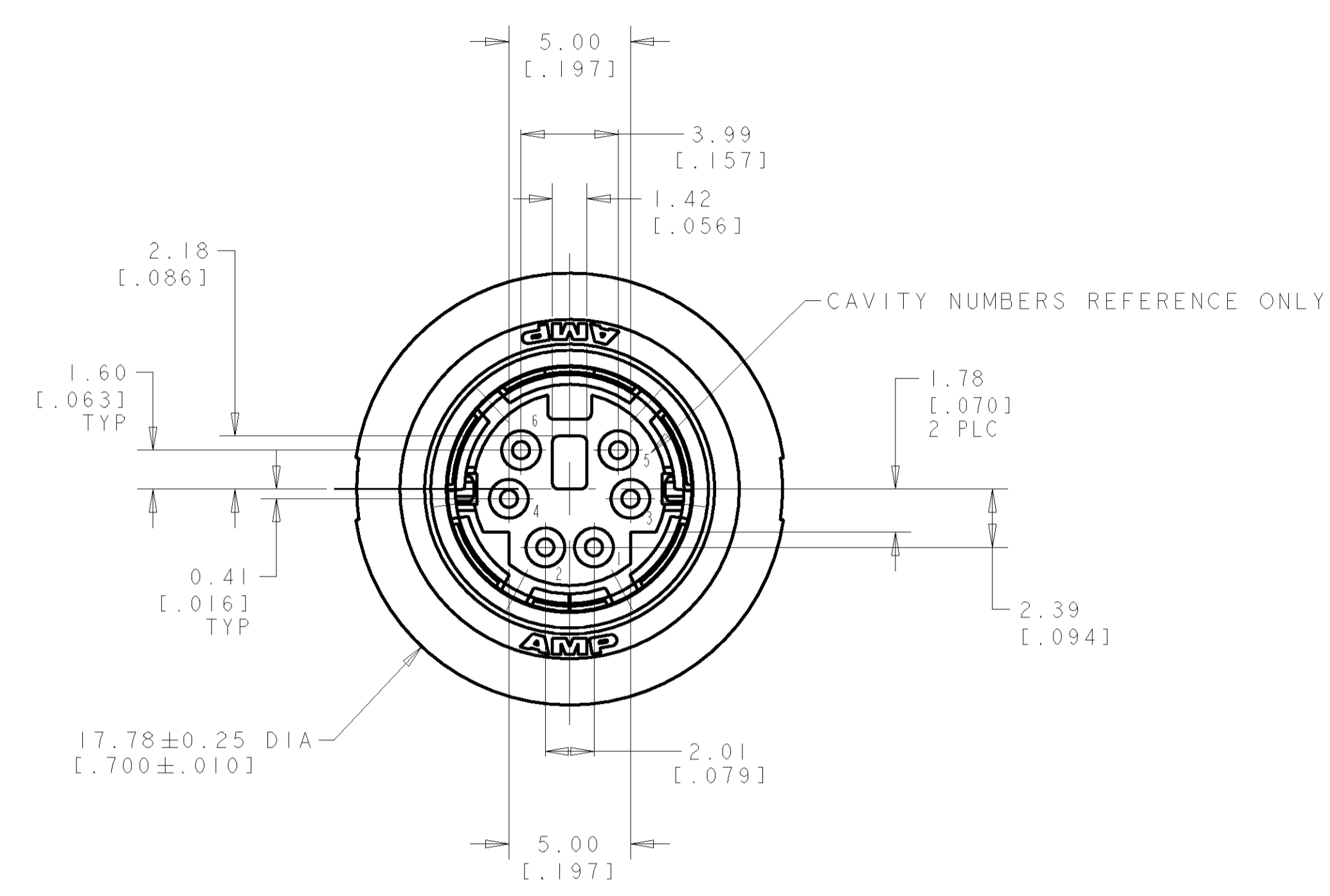
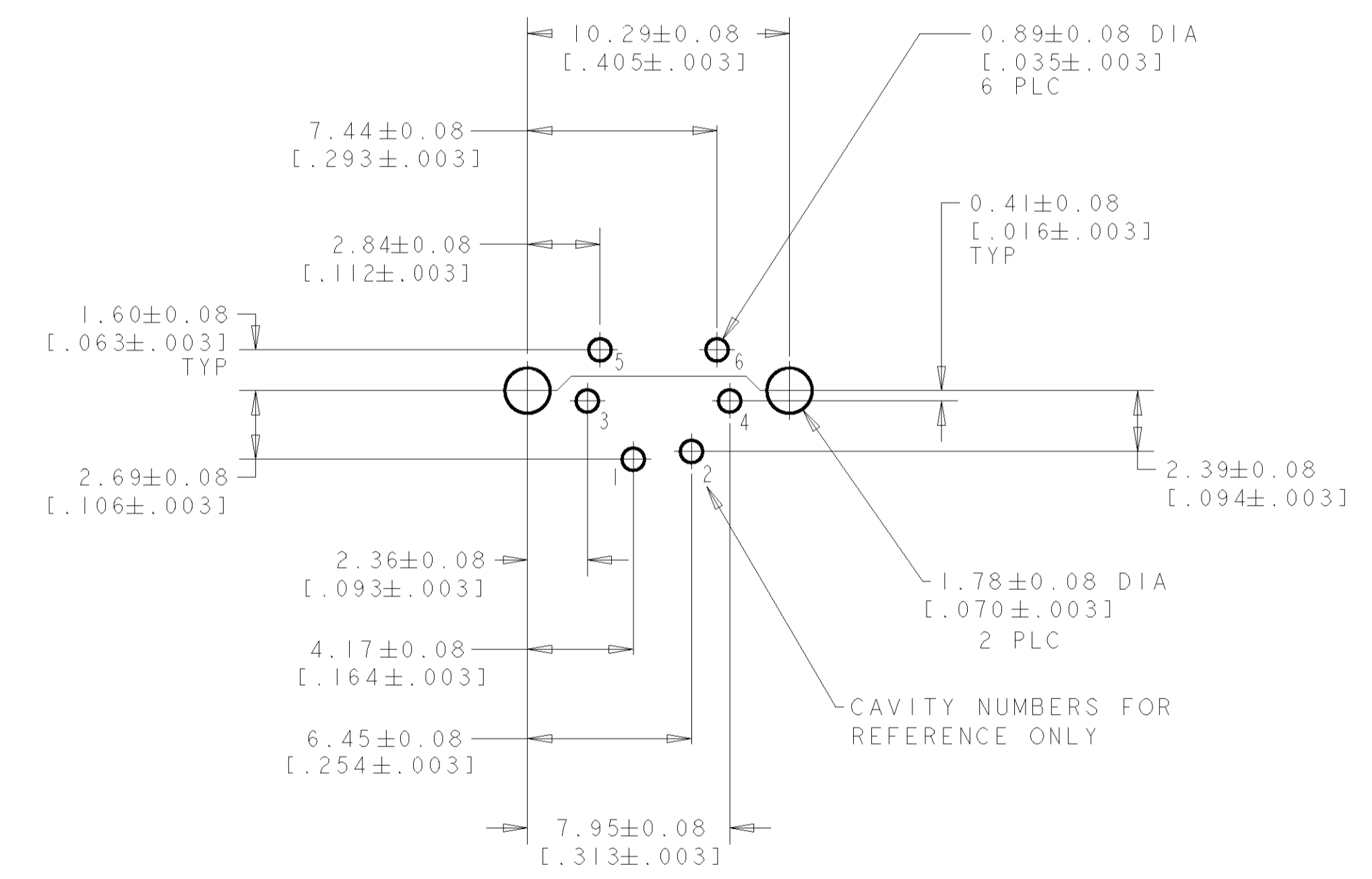
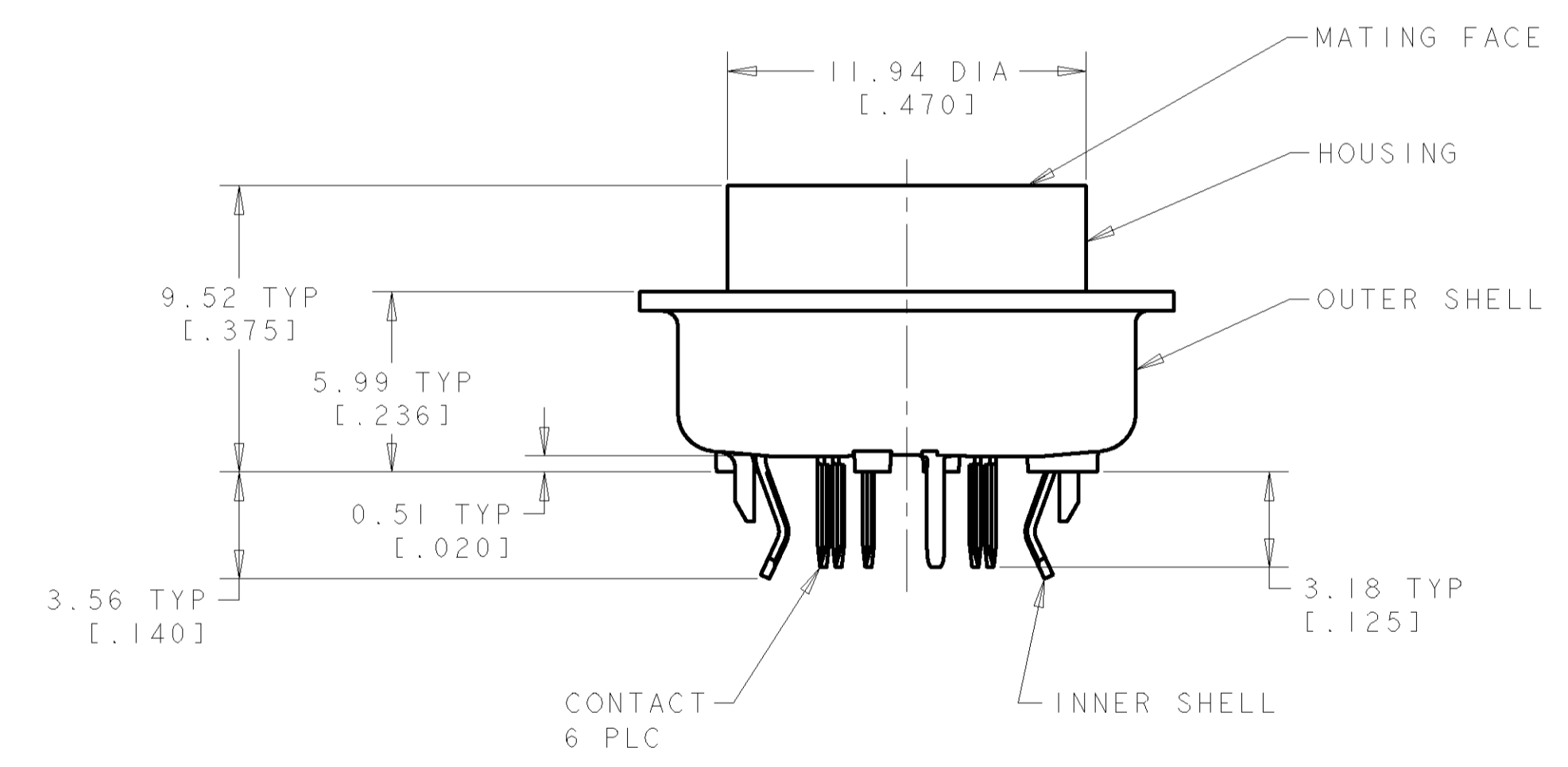


| LOC | DIST | REVISIONS | | | |
|-----|------|------------------|-----------|-----|------|
| NO | DATE | DESCRIPTION | DATE | BY | CHKD |
| 0 | | NPR FP00-0216-04 | 31AUG2004 | LWY | LSF |

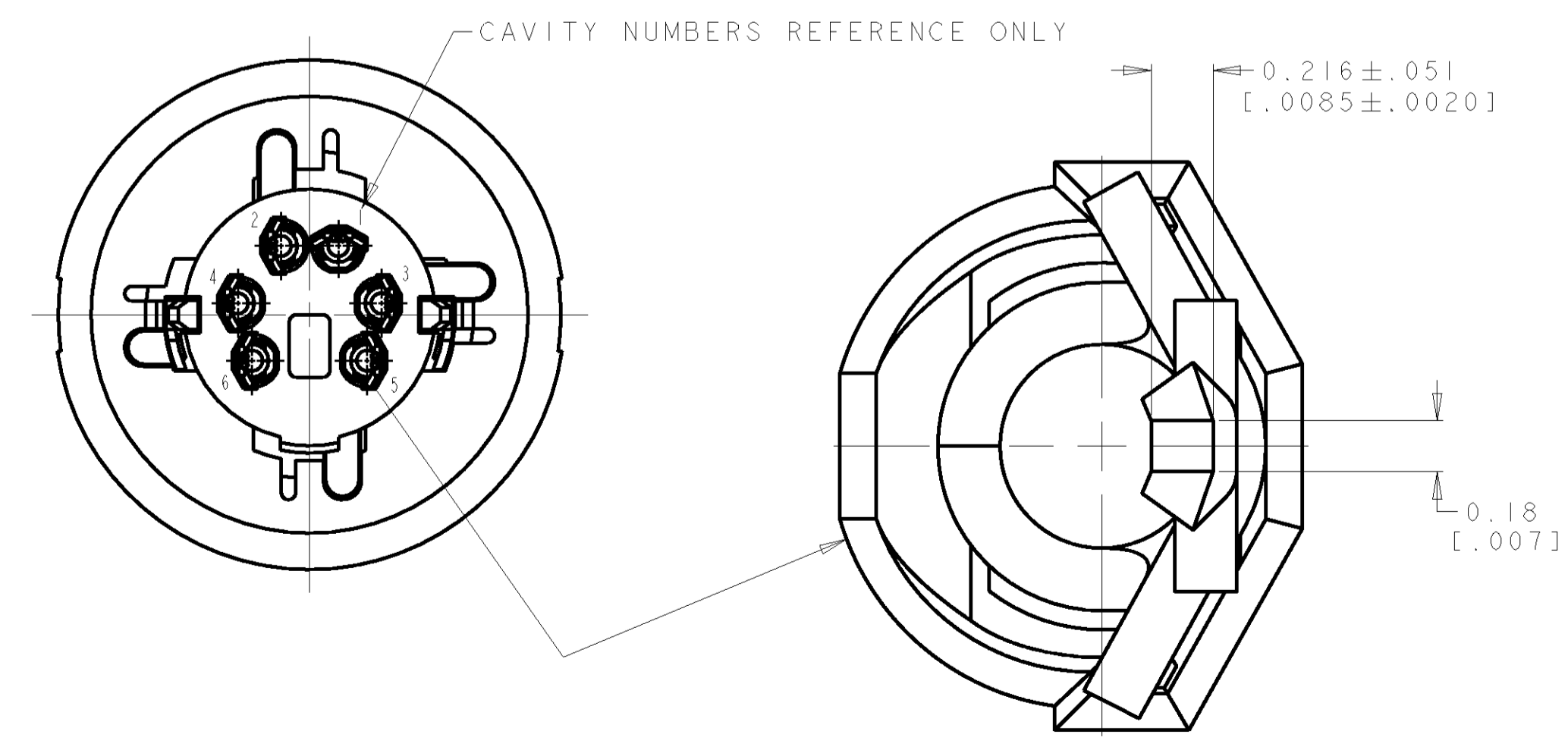


RECOMMENDED PANEL CUT-OUT

- 1 SHELLS: BRASS; CONTACTS: PHOSPHOR BRONZE; HOUSING: POLYESTER, UL 94V-0 RATED, BLACK.
- 2 0.76 μm [.000030] MIN GOLD ON MATING END FOR A LENGTH OF 1.37 [.054] MIN ON INSIDE, 2.54 μm [.000100] MIN TIN FOR A LENGTH OF 3.30 [.130] MIN FROM OPPOSITE END, ALL OVER 1.27 μm [.000050] MIN NICKEL.
- 3 0.38 μm [.000015] MIN GOLD ON MATING END FOR A LENGTH OF 1.37 [.054] MIN ON INSIDE, 2.54 μm [.000100] MIN TIN FOR A LENGTH OF 3.30 [.130] MIN FROM OPPOSITE END, ALL OVER 1.27 μm [.000050] MIN NICKEL.
- 4 RECEPTACLE ASSEMBLY MATES WITH 6 PIN, 8.99±0.10 [.354±.004] DIAMETER PLUG.



RECOMMENDED PC BOARD LAYOUT
BOTTOM VIEW



6 PLC
SCALE 50:1

| | | | |
|--|---|---|---|
| <small>THIS DRAWING IS A CONTROLLED DOCUMENT FOR AMP INCORPORATED. ALL INFORMATION CONTAINED HEREIN IS UNCLASSIFIED UNLESS INDICATED OTHERWISE. FOR MORE INFORMATION CONTACT THE CONTROLLING ENGINEERING ORGANIZATION SHOULD BE CONTACTED FOR THE LATEST REVISION.</small> | | DWN: WYLEE CBY: SF LEONG APD: SF LEONG | 30AUG2004 NAME: RECEPTACLE ASSEMBLY, 6 POSN, LOW FLANGE, SHIELDED, VERTICAL, MINIATURE CIRCULAR DIN SIZE: A1 CAGE CODE: 00779 DRAWING NO: 5750329 SCALE: 5:1 |
| DIMENSIONS: mm [INCHES] TOLERANCES UNLESS OTHERWISE SPECIFIED: 0 PLC ± 1 PLC ± 2 PLC ±0.13 [.005] 3 PLC ± 4 PLC ± ANGLES ± | CONTACT FINISH: 2 PART NO: 5750329-2 tyco Electronics Tyco Electronics Singapore Pte. Ltd. | PRODUCT SPEC: - APPLICATION SPEC: - WEIGHT: - CUSTOMER DRAWING | SHEET 1 OF 1 REV 0 |