

THIS DRAWING IS UNPUBLISHED. RELEASED FOR PUBLICATION .19  
 © COPYRIGHT 19 BY AMP INCORPORATED. ALL RIGHTS RESERVED.

LOC	DIST	REVISIONS					
		P	LTR	DESCRIPTION	DATE	DWN	APVD
DY	-	0		NPR ECR-05-005111	21JUN05	LWY	SYJ

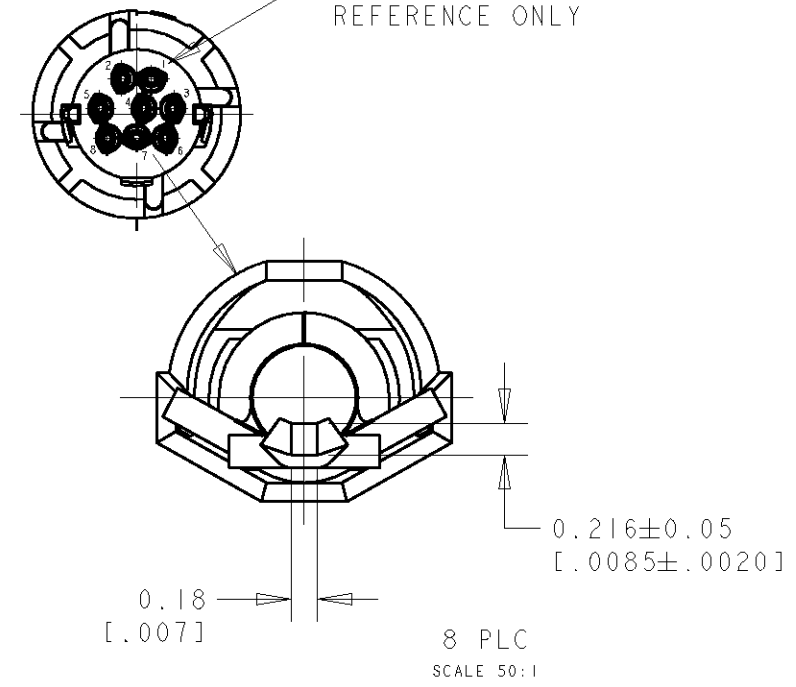
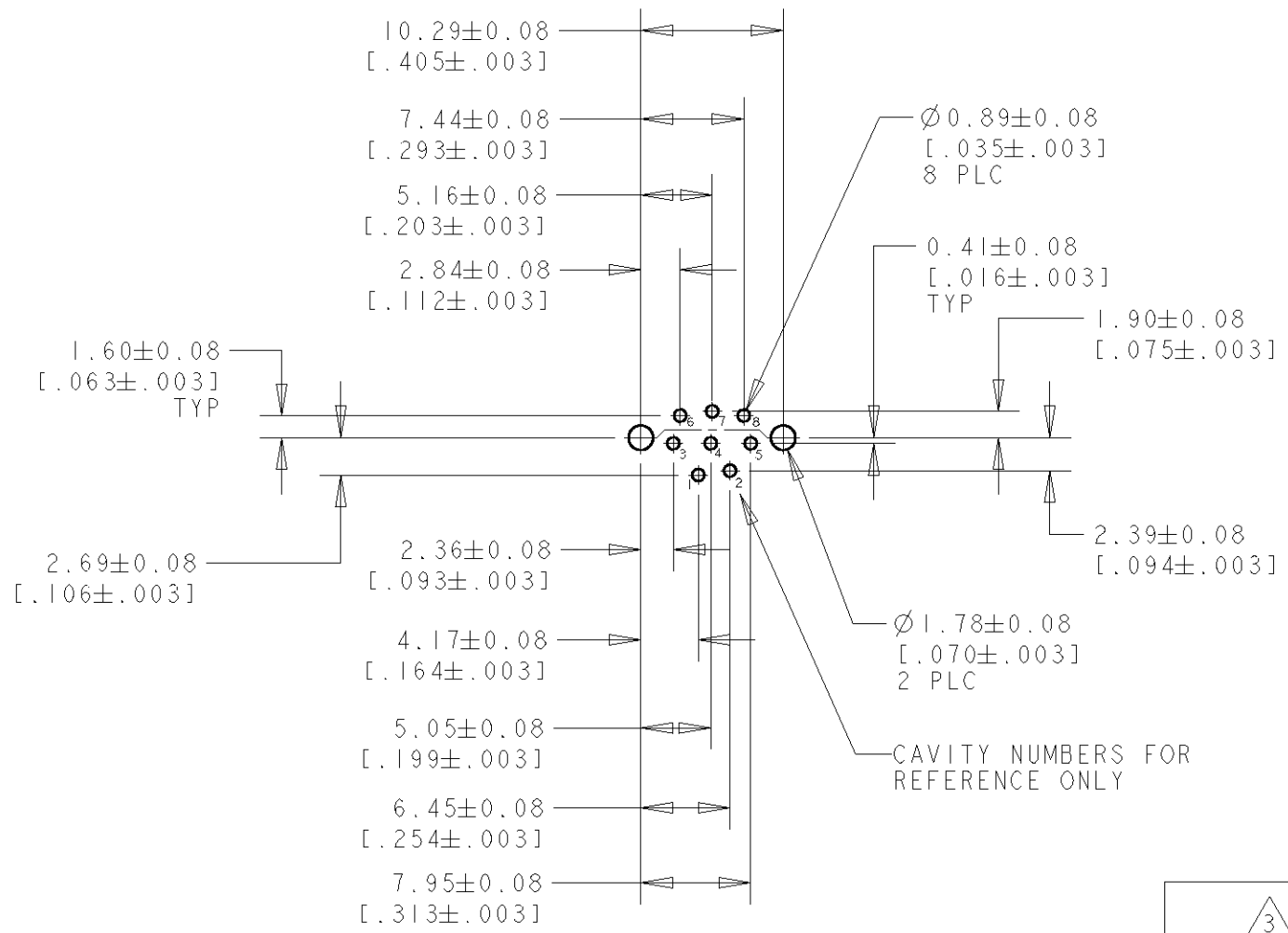
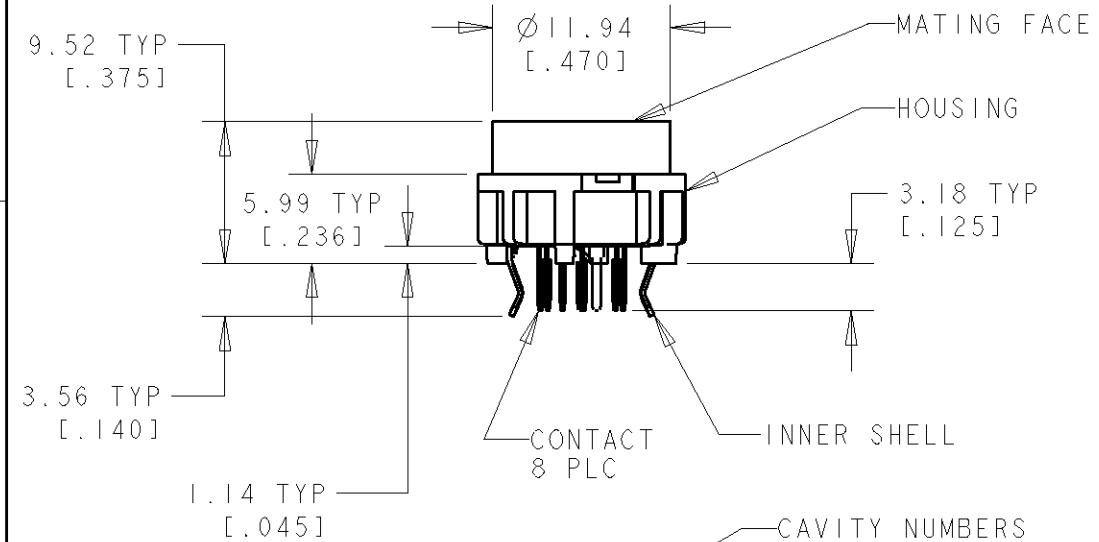
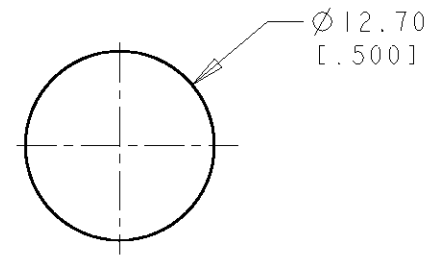
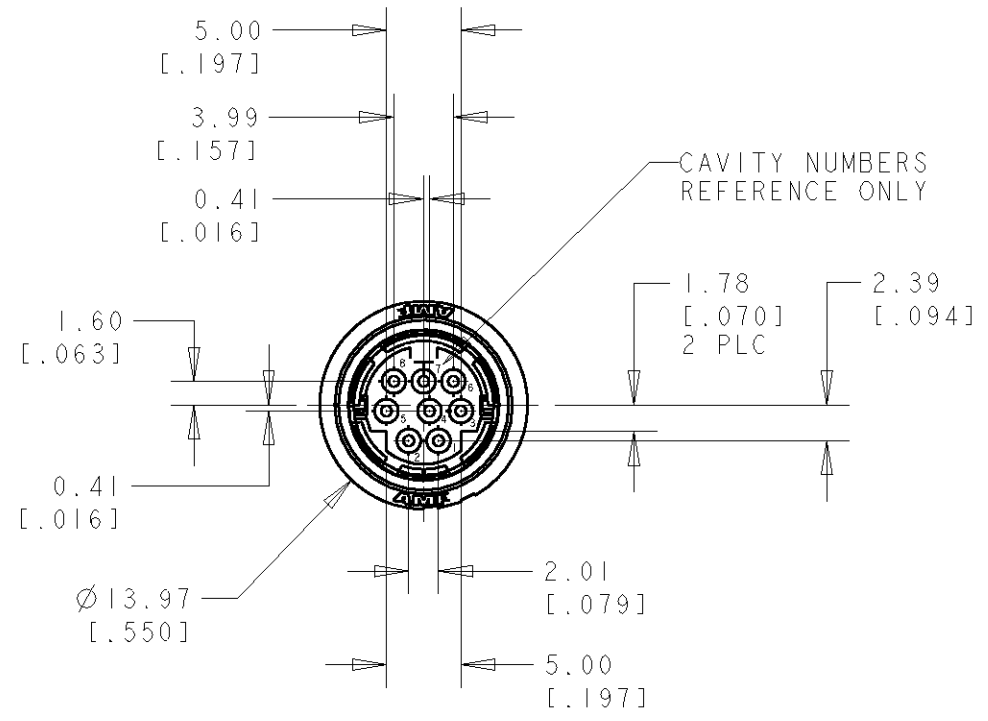
NOTES:

1 SHELLS: BRASS  
 CONTACTS: PHOSPHOR BRONZE  
 HOUSING: POLYESTER, UL 94V-0 RATED, BLACK

2 0.76um [.000030] MIN GOLD ON MATING END FOR A LENGTH OF 1.37 [.054] MIN ON INSIDE, 2.54um [.000100] MIN TIN FOR A LENGTH OF 3.30um [.130] MIN FROM OPPOSITE END, ALL OVER 1.27um [.000050] MIN NICKEL.

3 2.54um [.000100] MIN TIN OVER 1.27um [.000050] MIN COPPER

4. RECEPTACLE ASSEMBLY MATES WITH 8 PIN, Ø8.99±0.10 [.354±.004] PLUG.



RECOMMENDED PC BOARD LAYOUT  
 BOTTOM VIEW

3	2	5750337-2
INNER SHELL FINISH	CONTACT FINISH	PART NO.

THIS DRAWING IS A CONTROLLED DOCUMENT FOR AMP INCORPORATED. IT IS SUBJECT TO CHANGE AND THE CONTROLLING ENGINEERING ORGANIZATION SHOULD BE CONTACTED FOR THE LATEST REVISION.		DWN WYLEE 21JUN2005	<b>tyco</b> Tyco Electronics Singapore Pte. Ltd.	
DIMENSIONS: mm [INCHES]	TOLERANCES UNLESS OTHERWISE SPECIFIED: 0 PLC ± - 1 PLC ± - 2 PLC ± 0.13 [.005] 3 PLC ± - 4 PLC ± - ANGLES ± -	CHK YJ SEE	NAME RECEPTACLE ASSEMBLY, 8 POSN, LOW FLANGE, UNSHIELDED, VERTICAL, MINIATURE CIRCULAR DIN, LF	
		APVD SF LEONG	SIZE A3	CAGE CODE 00779
MATERIAL	FINISH SEE TABLE	PRODUCT SPEC -	DRAWING NO 5750337	
		APPLICATION SPEC -	SCALE 10:	SHEET 1 OF 1
CUSTOMER DRAWING		WEIGHT -	REV 0	