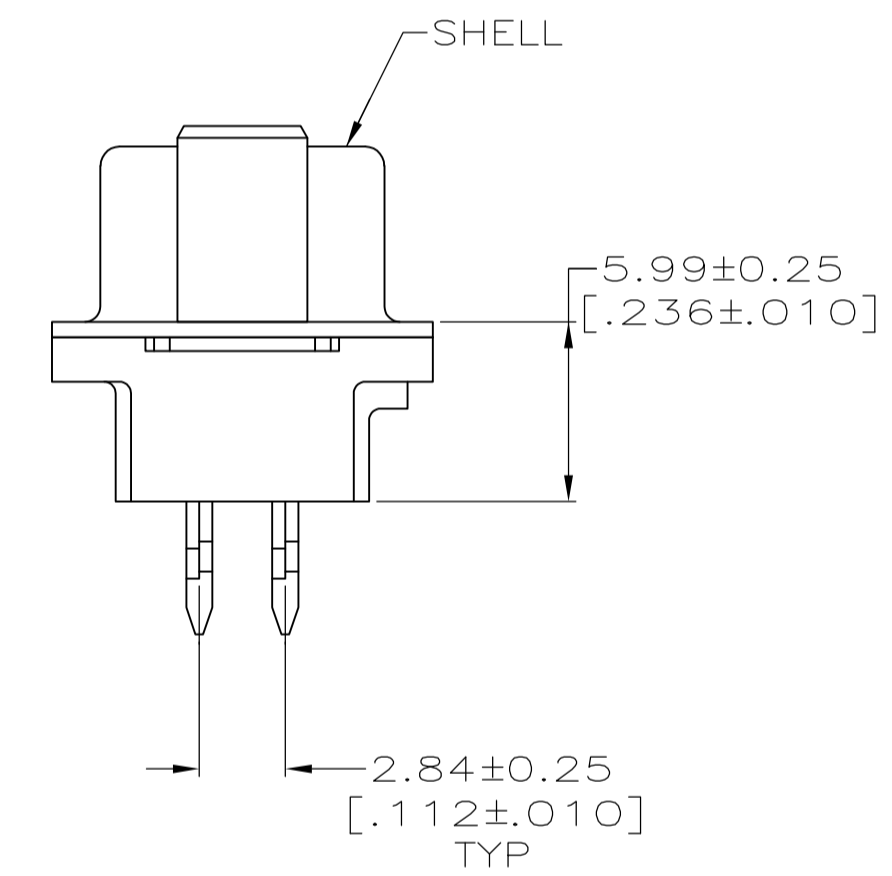
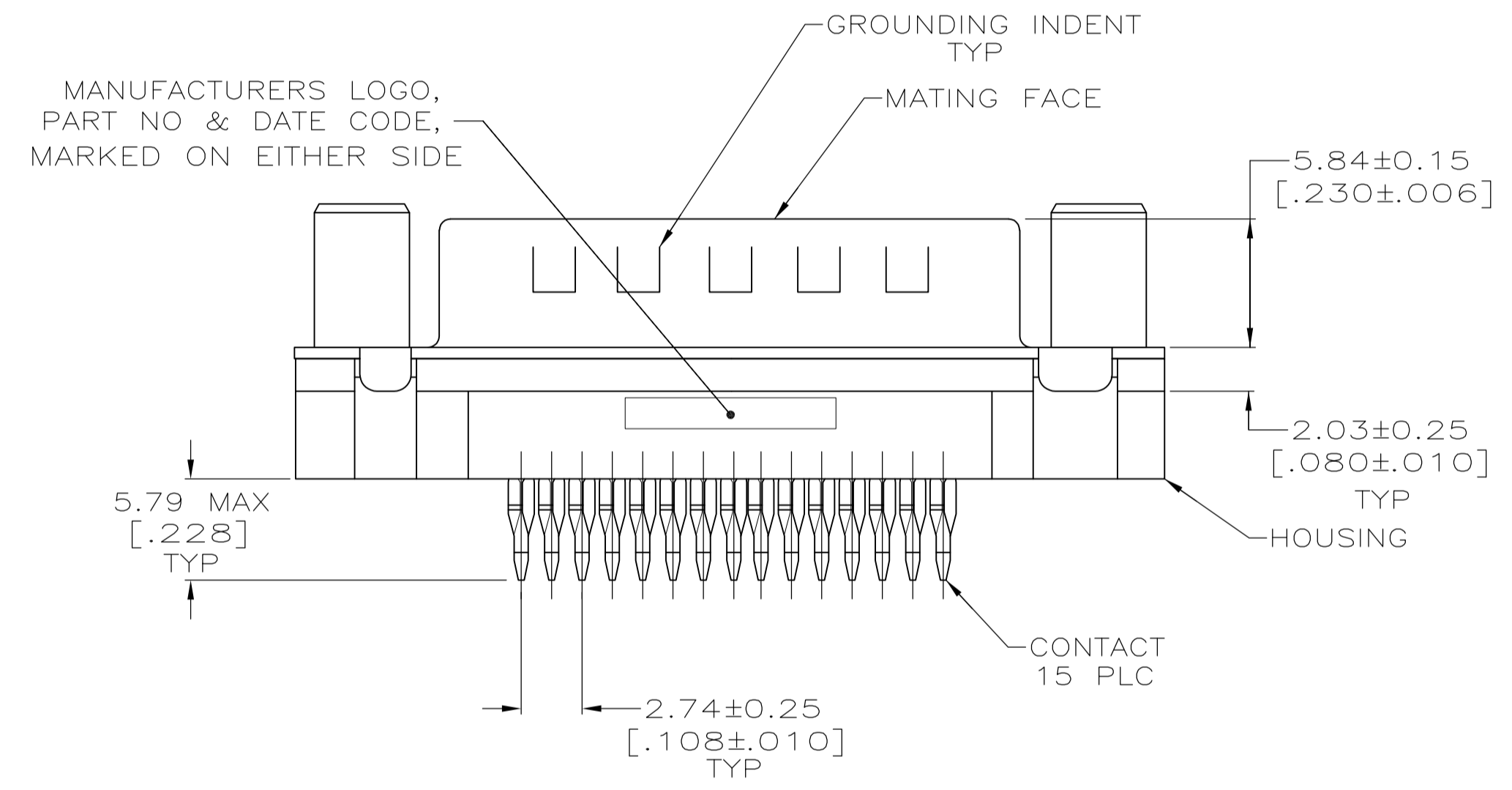
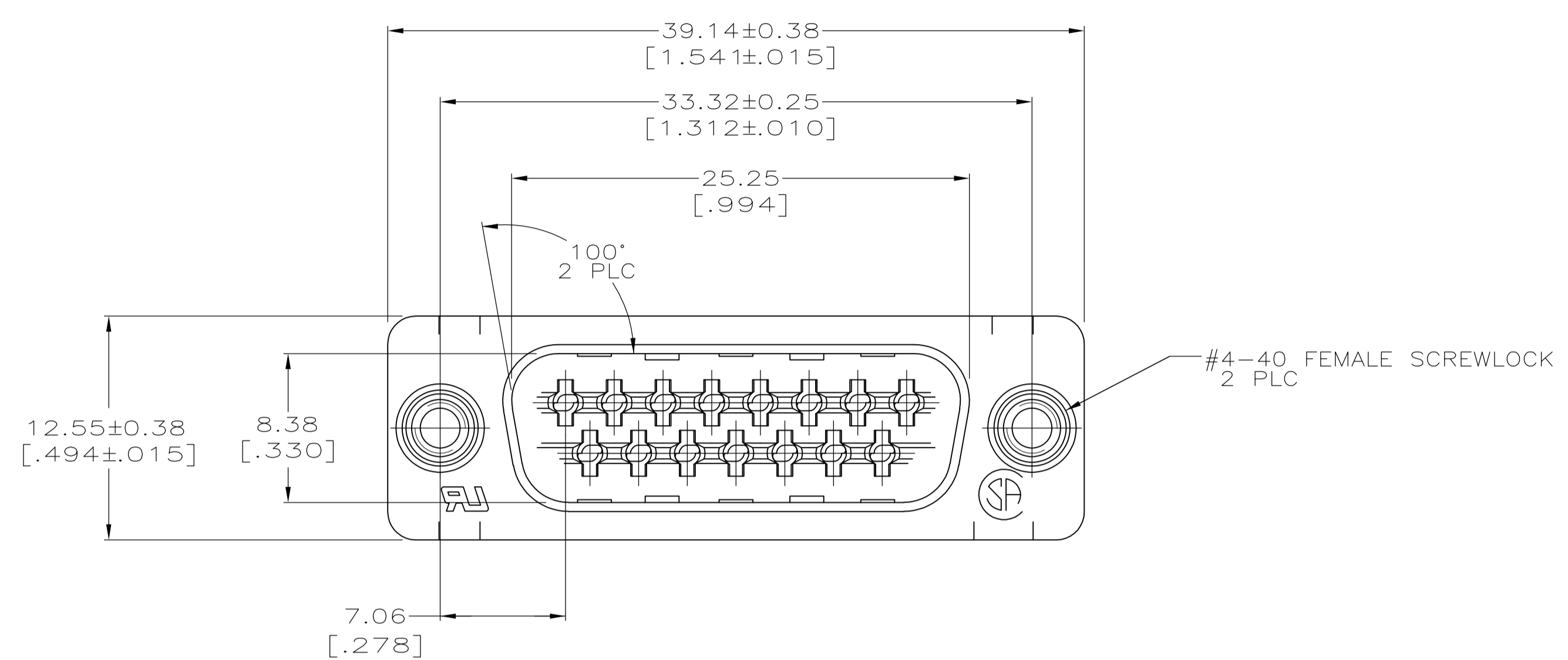


LOC		DIST		REVISIONS			
GP	00	REV	DATE	BY	APPV	DATE	REV
C		REVISED PER ECO-12-000090	27JAN2012	CJV	SLB		



- 1 FOR USE WITH 2.36 [$.093$] MINIMUM THICK PRINTED CIRCUIT BOARD. REFER TO APPLICATION SPECIFICATION FOR PRINTED CIRCUIT BOARD LAYOUT DIMENSIONS AND FINISH RECOMMENDATIONS.
- 2 HOUSING: NYLON, UL 94V-0 RATED, BLACK.
- 3 CONTACTS: COPPER ALLOY
- 4 SHELL: CARBON STEEL
- 5 SCREWLOCKS: ZINC
- 6 SHELL: $5.08 \mu\text{m}$ [$.000200$] MIN TIN OVER $2.54 \mu\text{m}$ [$.000100$] MIN COPPER.
- 7 CONTACTS:
0.76 MICRO METERS [$.000030$] MINIMUM GOLD IN MATING AREA.
2.54 MICRO METERS [$.000100$] MINIMUM TIN ON COMPLIANT PIN.
ALL OVER 1.27 MICRO METERS [$.000050$] MINIMUM NICKEL.
OR
GOLD FLASH OVER PALLADIUM NICKEL.
0.76 MICRO METERS [$.000030$] MINIMUM TOTAL IN MATING AREA.
2.54 MICRO METERS [$.000100$] MINIMUM TIN ON COMPLIANT PIN.
ALL OVER 1.27 MICRO METERS [$.000050$] MINIMUM NICKEL.
- 8 DATUMS AND BASIC DIMENSIONS ESTABLISHED BY CUSTOMERS.
- 9 SCREWLOCKS: CLEAR CHROMATE

5787177-1
PART NO

**COPYRIGHT 2005
TYCO ELECTRONICS CORP
ALL RIGHTS RESERVED**

THIS DRAWING IS A CONTROLLED DOCUMENT. DIMENSIONING AND TOLERANCING PER ASME Y14.5M-2009		DIN L. VARELA - DOCKS 03-31-05	STE TE Connectivity	
DIMENSIONS: mm[INCHES]		CHK S. BOLASH 03-31-05	NAME M. WALMSLEY 03-31-05	
TOLERANCES UNLESS OTHERWISE SPECIFIED: 0 PLC ± - 1 PLC ± - 2 PLC ± 0.13 [.005] 3 PLC ± - 4 PLC ± - ANGLES ± -		APVD M. WALMSLEY 03-31-05	PRODUCT SPEC 108-40014	
MATERIAL		APPLICATION SPEC 114-40026	SIZE A1	RESTRICTED TO
FINISH		WEIGHT	CAGE CODE 00779	DRAWING NO 5787177
2 3 4 5		CUSTOMER DRAWING		SCALE 4:1 SHEET 1 OF 1 REV C