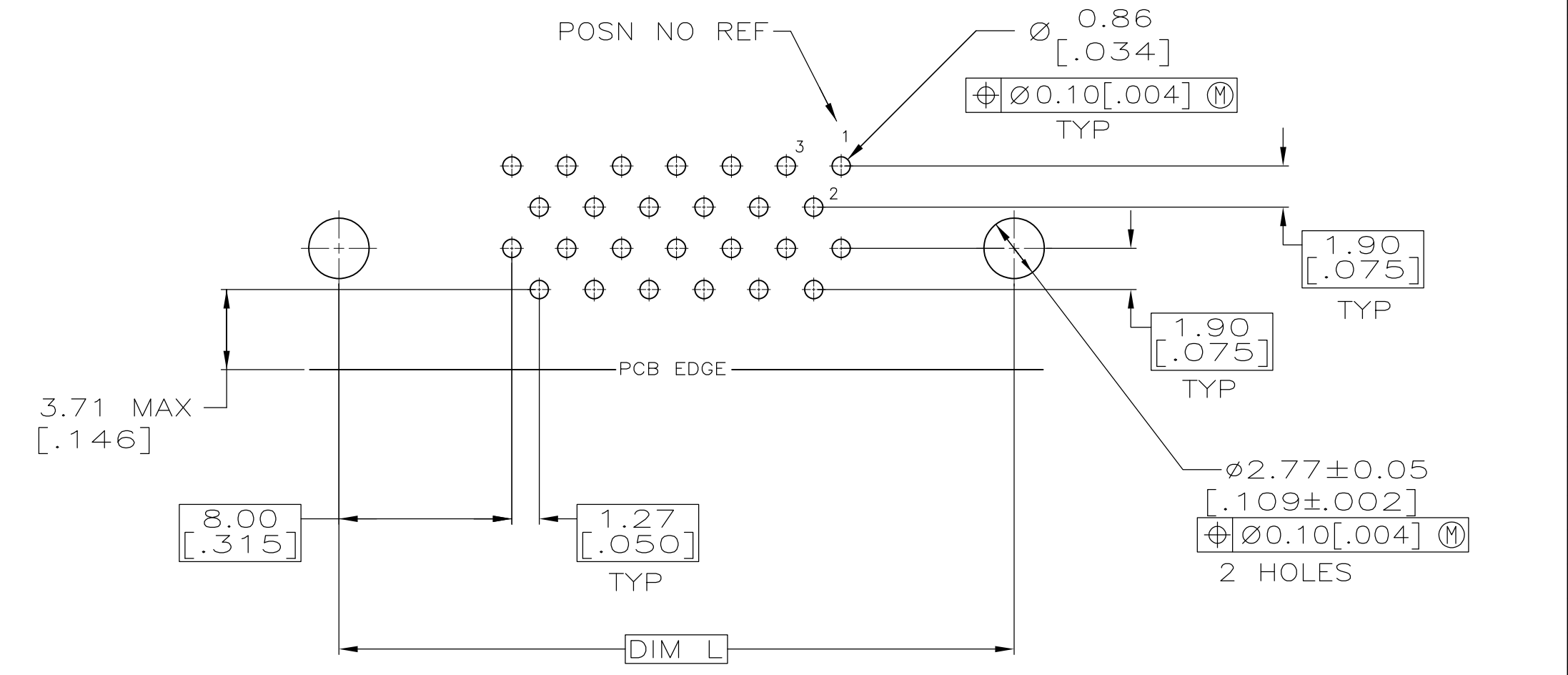
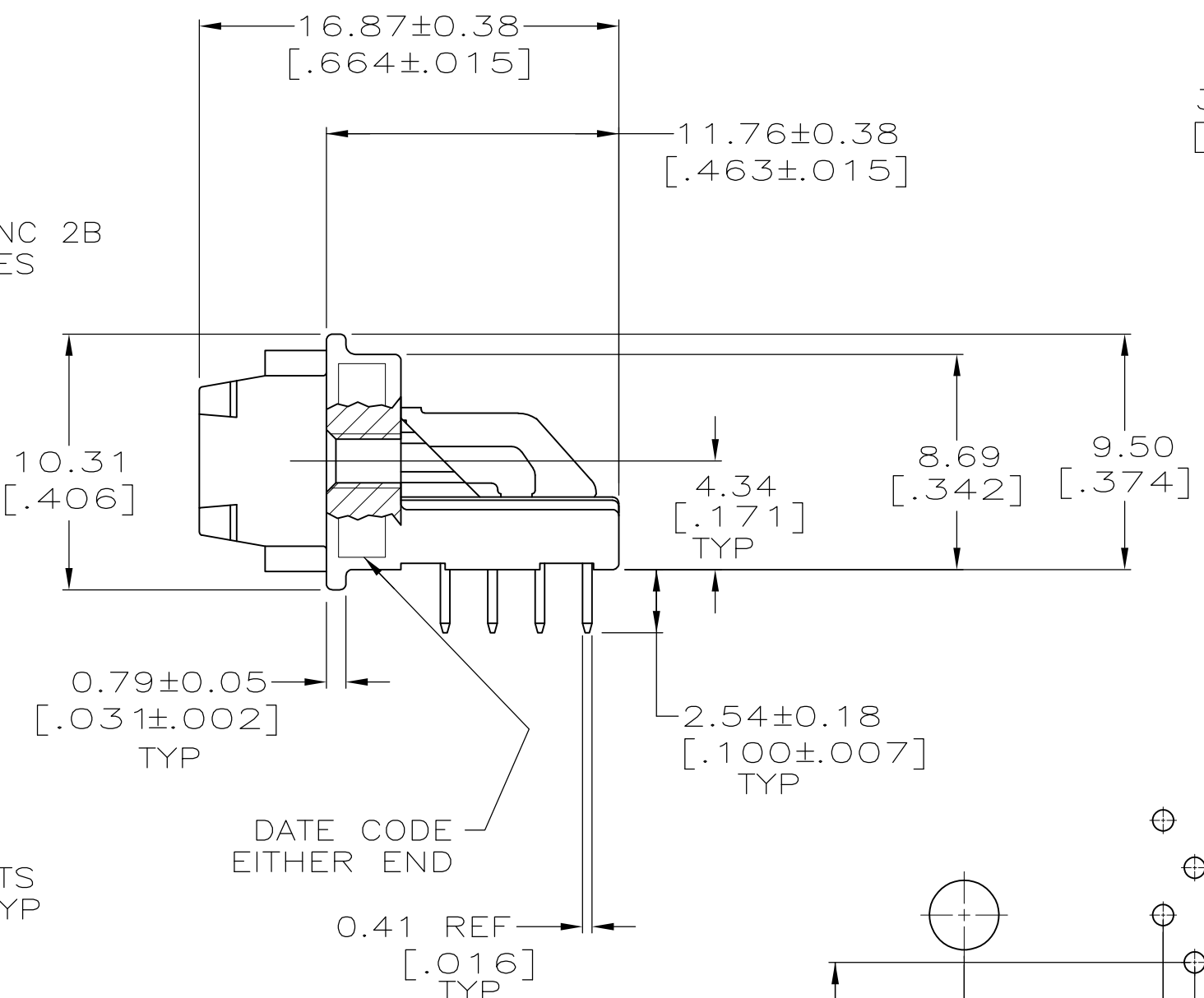
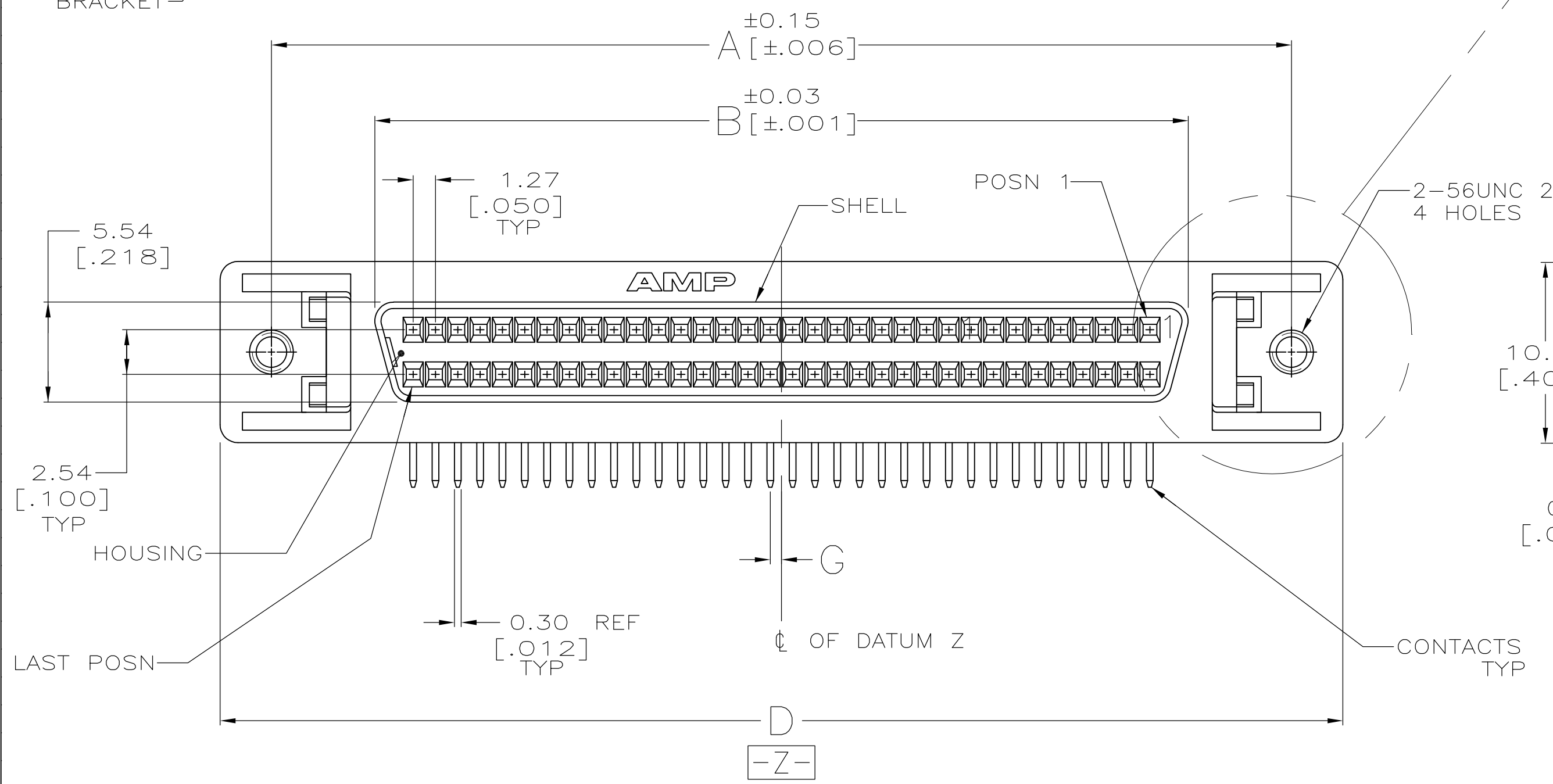
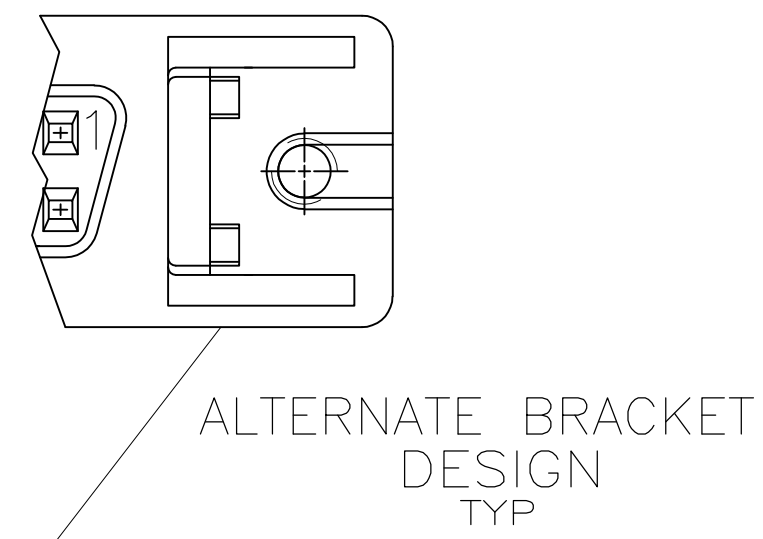
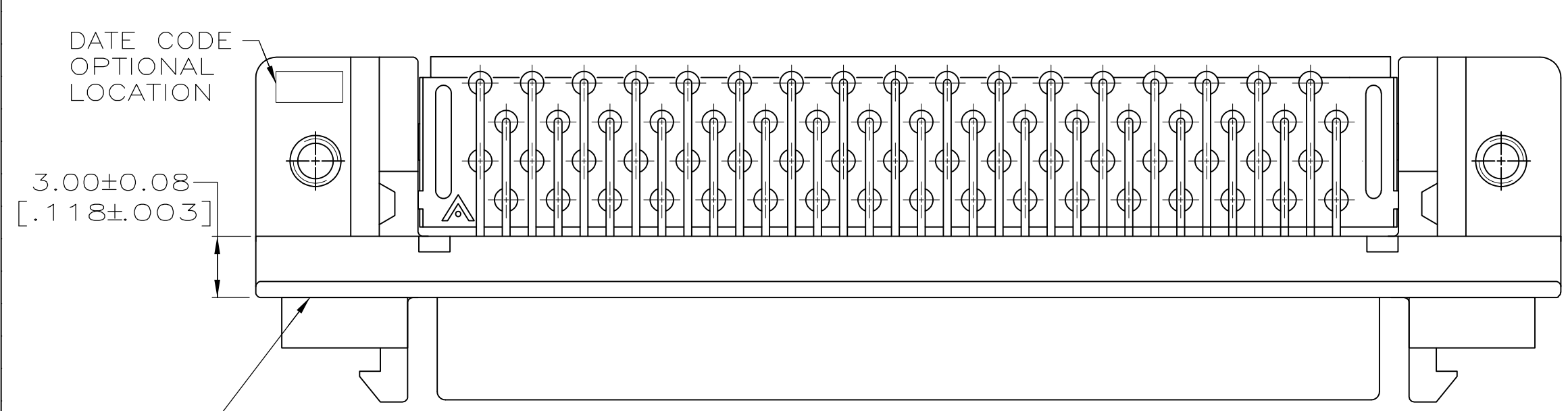
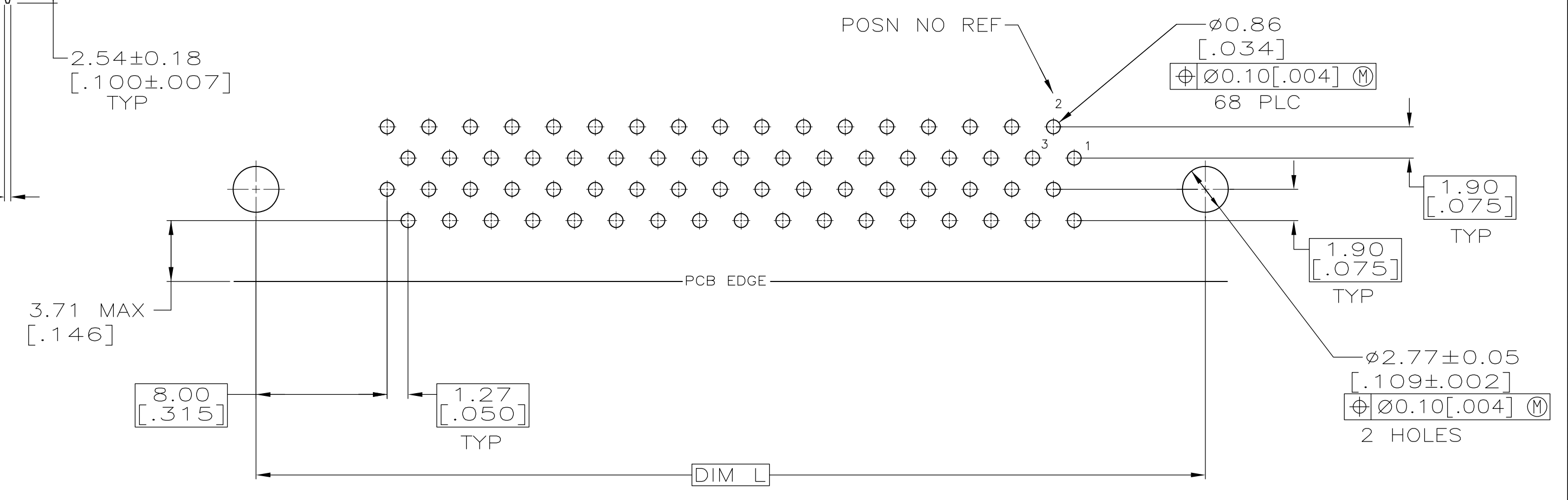
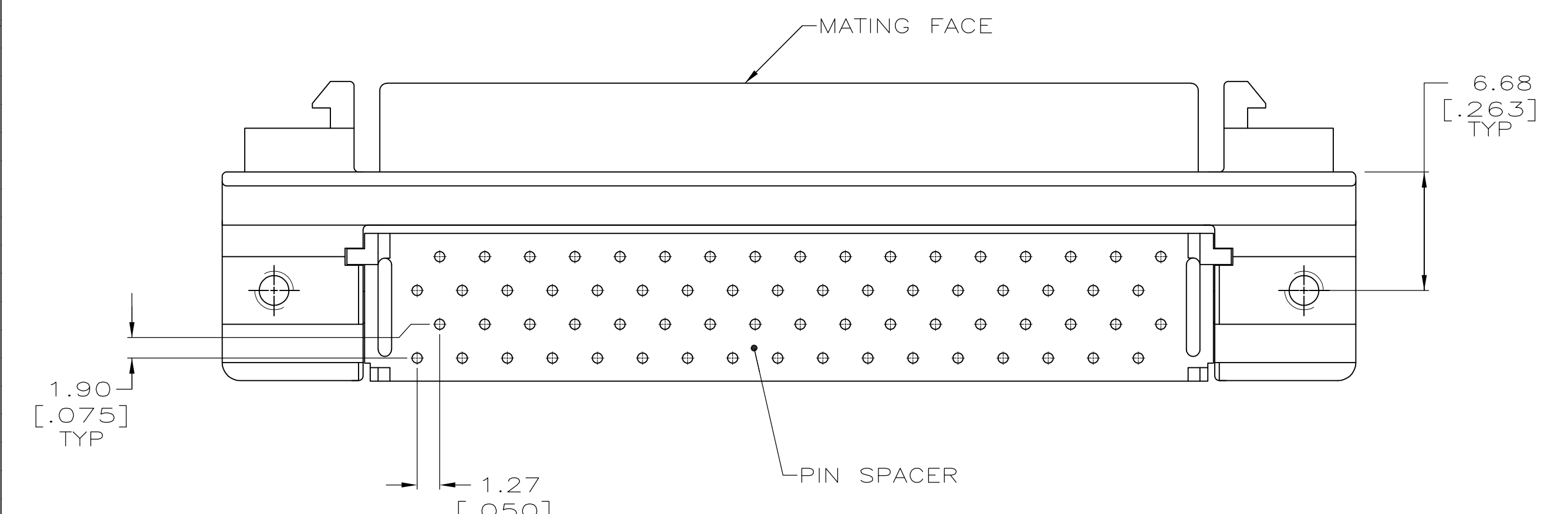


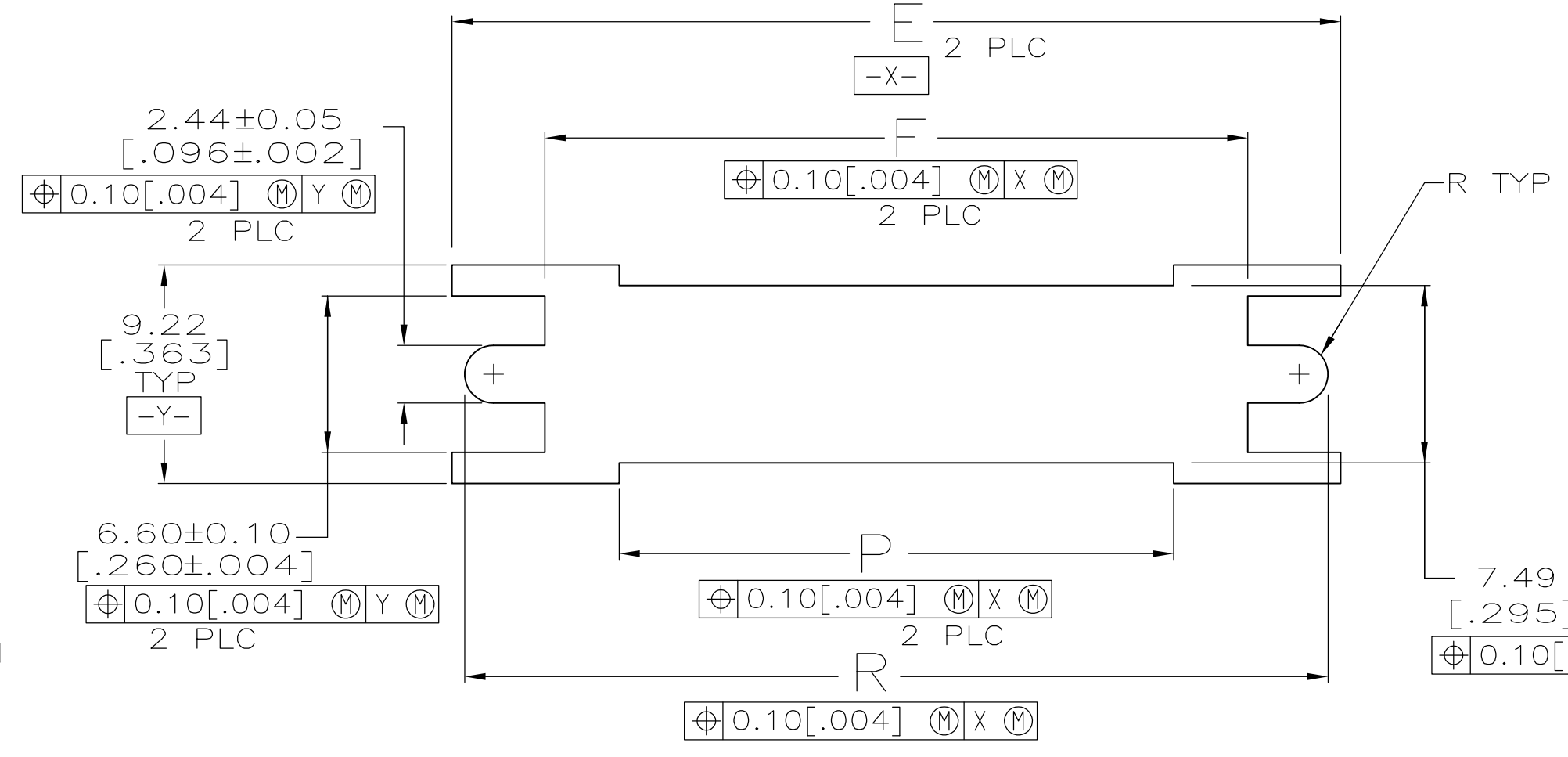
LOC		DIST		REVISIONS			
GP	00	P	LTR	DESCRIPTION	DATE	DWN	APVD
B1		REVISED	PER	ECO-11-004835	11MAR11	RK	HMR



P.C. BOARD MOUNTING DIMENSIONS
CONNECTOR SIDE
P.C. BOARD THICKNESS 1.57±0.20 [.062±.008]
PC BOARD PATTERN S



P.C. BOARD MOUNTING DIMENSIONS
CONNECTOR SIDE
P.C. BOARD THICKNESS 1.57±0.20 [.062±.008]
PC BOARD PATTERN T



RECOMMENDED PANEL CUTOUT

- CONTACTS: PHOSPHOR BRONZE
- HOUSING & PIN SPACER: UL 94V-0 RATED, THERMOPLASTIC, BLACK
- BRACKET: ZINC
- SHELL: CARBON STEEL
- CONTACTS: EITHER 0.76µm [.000030] MIN GOLD PLATE FOR A LENGTH OF 0.64 [.025] MAX, 0.13 [.005] MIN FROM MATING END OR GOLD FLASH OVER PALLADIUM NICKEL PLATE, 0.76µm [.000030] MIN TOTAL FOR A LENGTH OF 0.64 [.025] MAX, 0.13 [.005] MIN FROM MATING END. 3.81µm [.000150] MIN TIN ON OPPOSITE END FOR A LENGTH OF 2.72 [.107] MIN, BOTH OVER 1.27µm [.000050] MIN NICKEL.
- SHELL: 5.08µm [.000200] MIN NICKEL OVER 1.27µm [.000050] MIN COPPER.
- BRACKET: 2.54µm [.000100] MIN NICKEL OVER 5.08µm [.000200] COPPER.

T	67.97	55.47	65.53	0.64	61.85	69.60	71.50	53.75	65.53	80	5787190-8
T	60.35	47.85	57.91	0.64	54.23	61.98	63.88	46.13	57.91	68	5787190-7
S	48.92	36.42	46.48	1.27	42.80	50.55	52.45	34.70	46.48	50	5787190-5
S	33.68	21.18	31.24	1.27	27.56	35.31	37.21	19.46	31.24	26	5787190-2
T	29.87	17.37	27.43	0.64	23.75	31.50	33.40	15.65	27.43	20	5787190-1
PC BOARD PATTERN	R	P	L	G	F	E	D	B	A	NO OF POSN	PART NUMBER

THIS DRAWING IS A CONTROLLED DOCUMENT.

DIMENSIONS: mm [INCHES]	TOLERANCES UNLESS OTHERWISE SPECIFIED:	DIN G. ATTADIA - 02-14-05	02-14-05
0 PLC ± -	1 PLC ± -	2 PLC ± 0.13 [.005]	3 PLC ± -
4 PLC ± -	ANGLES ± -	APVD S. SHUEY	13DEC05
MATERIAL	FINISH	APVD M. WALMSLEY	02-14-05
		NAME	NAME
		PRODUCT SPEC	108-1228
		APPLICATION SPEC	114-40029
		WEIGHT	A1 00779
		CUSTOMER DRAWING	SCALE 4:1 SHEET 1 OF 1 REV B1

STE TE Connectivity
RECEPTACLE ASSEMBLY, SHIELDED, RIGHT ANGLE, RAILED, .050 SERIES, AMPLIMITE