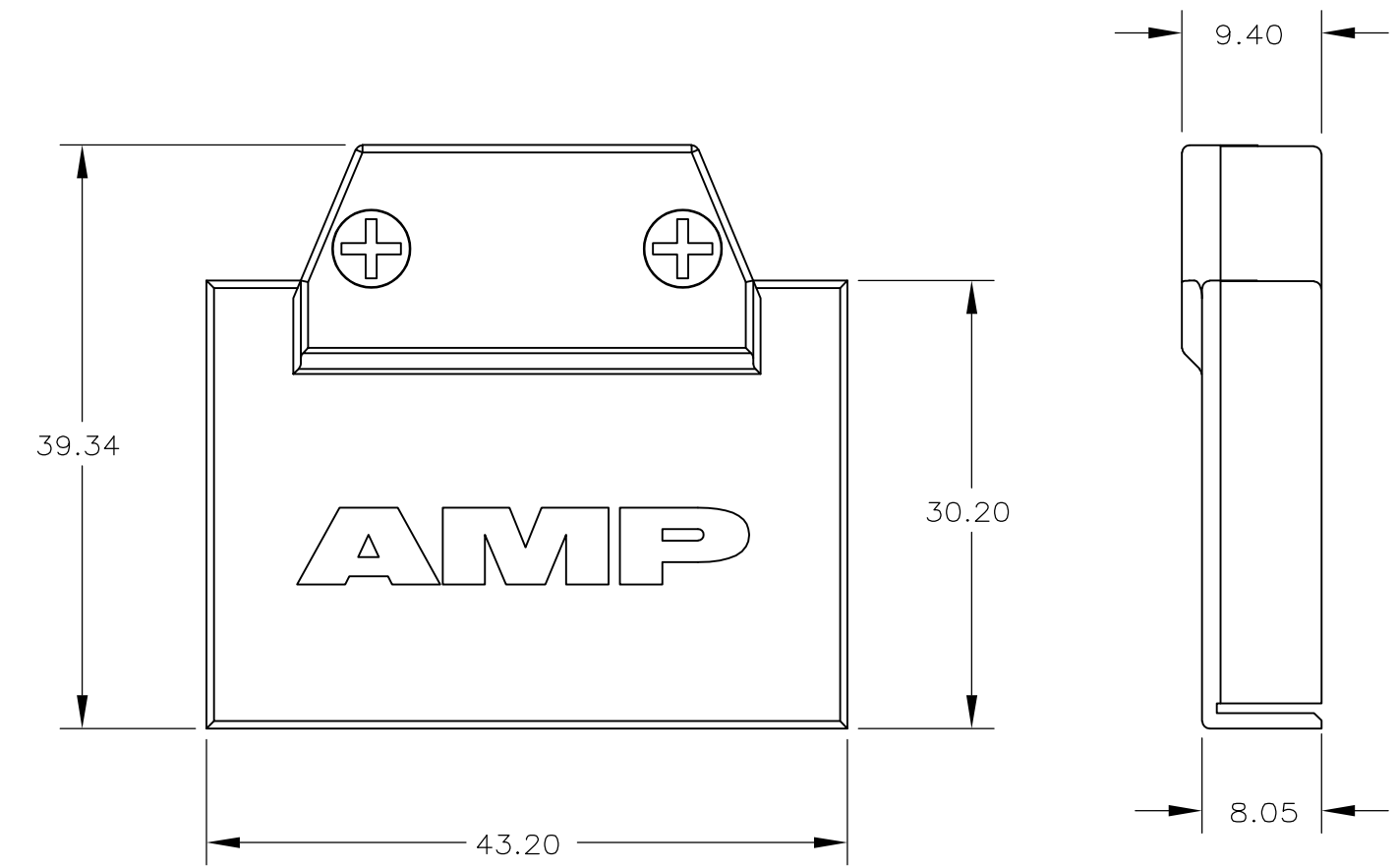
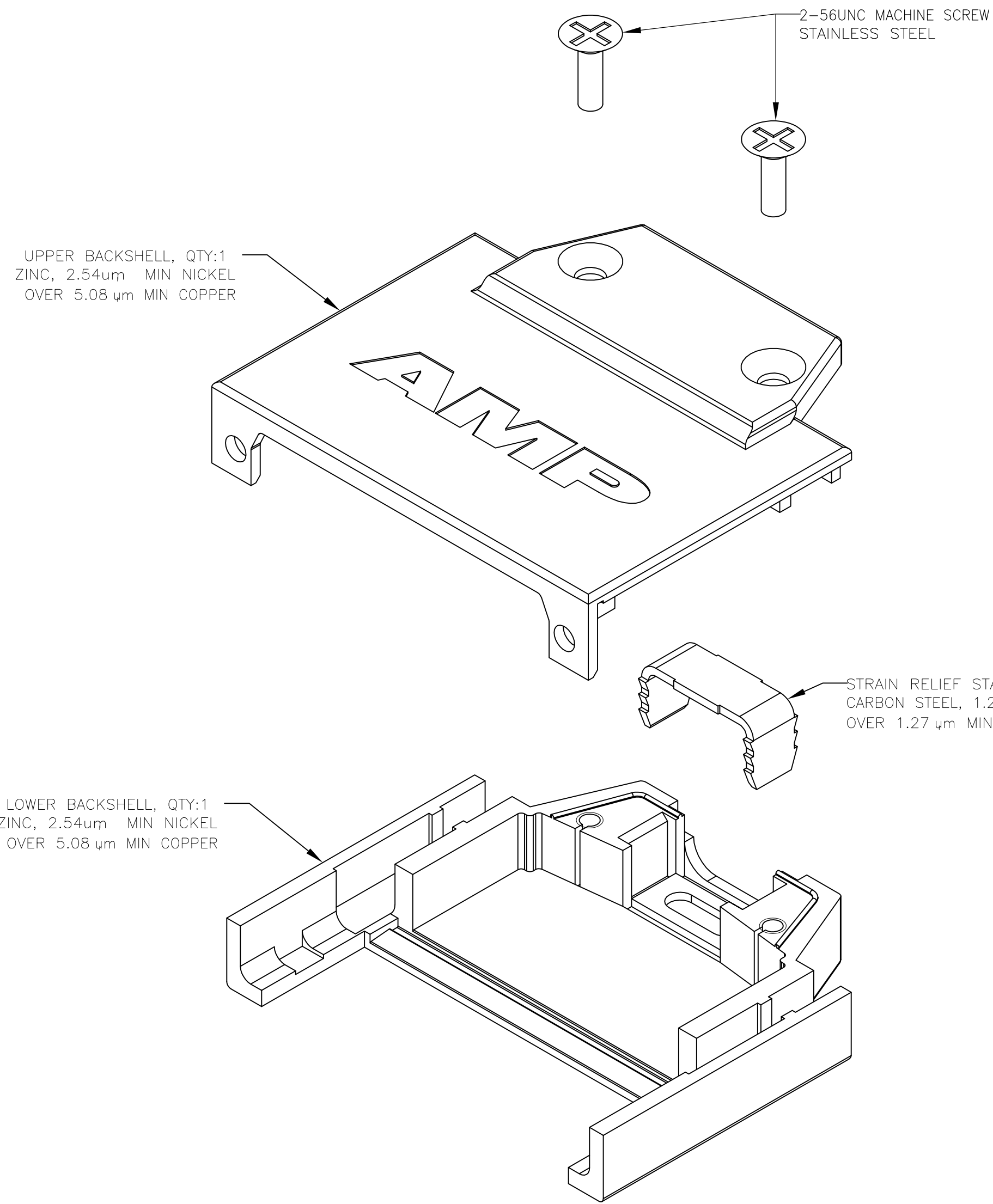


THIS DRAWING IS UNPUBLISHED. RELEASED FOR PUBLICATION
 © COPYRIGHT 19 BY TYCO ELECTRONICS CORPORATION. ALL RIGHTS RESERVED.

LOC	DIST	REVISIONS			
P	LTR	DESCRIPTION	DATE	DWN	APVD
GP	00	A	REVISED PER ECO-08-008770	01AUG2008	EDB



ASSEMBLED BACKSHELL KIT
SCALE 2:1

5788362

5788362-1
PART NUMBER

**COPYRIGHT 2005
TYCO ELECTRONICS CORP
ALL RIGHTS RESERVED**

THIS DRAWING IS A CONTROLLED DOCUMENT.		DWN J. ALCORTA - DOCK5 08-01-05	Tyco Electronics Corporation Harrisburg, Pa 17105-3608	
DIMENSIONS: mm		CHK S. SHUEY 08-01-05	NAME BACKSHELL KIT, UNASSEMBLED, 68 POSN, CHAMP 0.8mm	
TOLERANCES UNLESS OTHERWISE SPECIFIED:		APVD M. WALMSLEY 08-01-05	SIZE A2	CAGE CODE 00779
0 PLC ± -		PRODUCT SPEC	DRAWING NO C=5788362	RESTRICTED TO
1 PLC ± -		APPLICATION SPEC	SCALE 3:1	SHEET 1 OF 1
2 PLC ± 0.13		WEIGHT -	REV A	
3 PLC ± -		CUSTOMER DRAWING		
4 PLC ± -				
ANGLES ± -				
MATERIAL SEE CALLOUTS		FINISH SEE CALLOUTS		