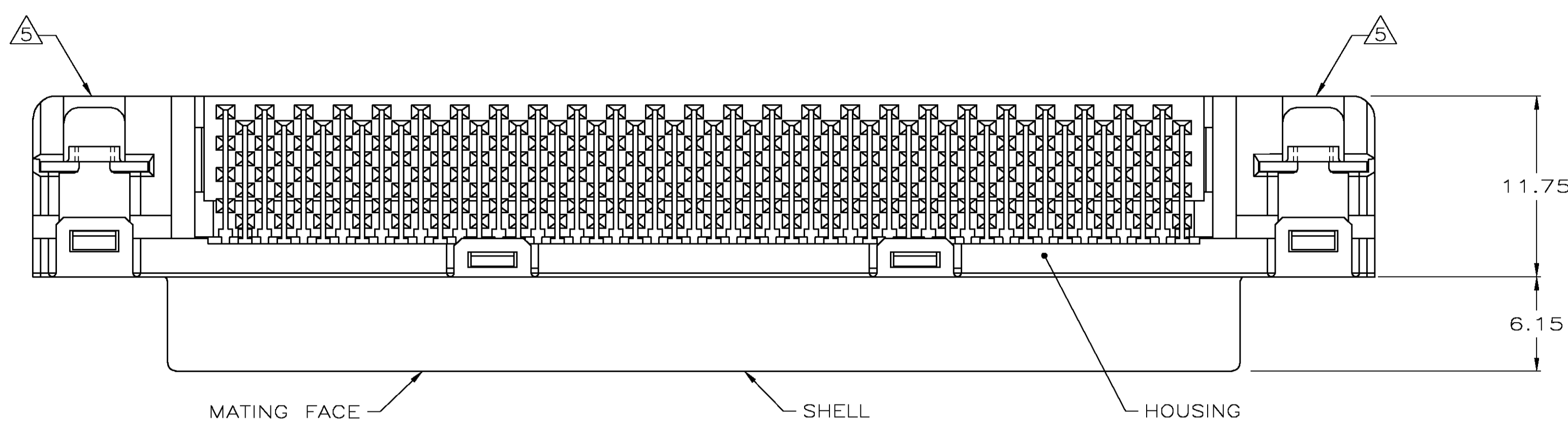
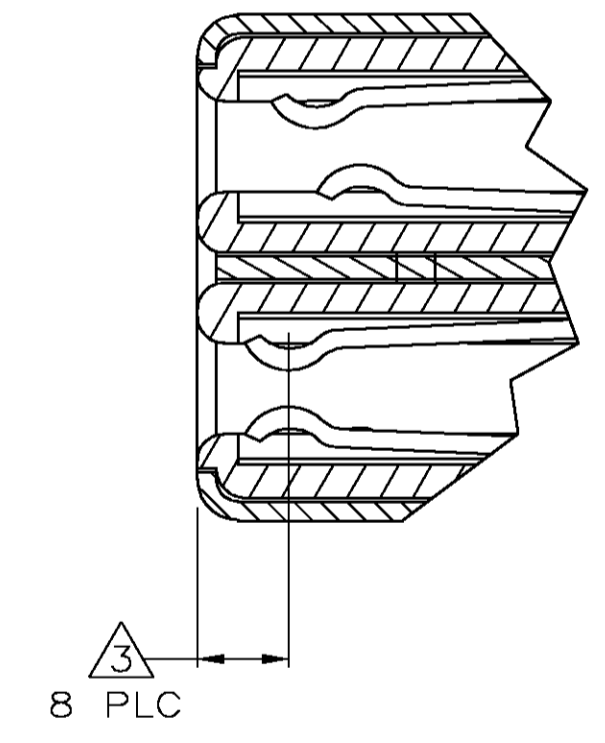
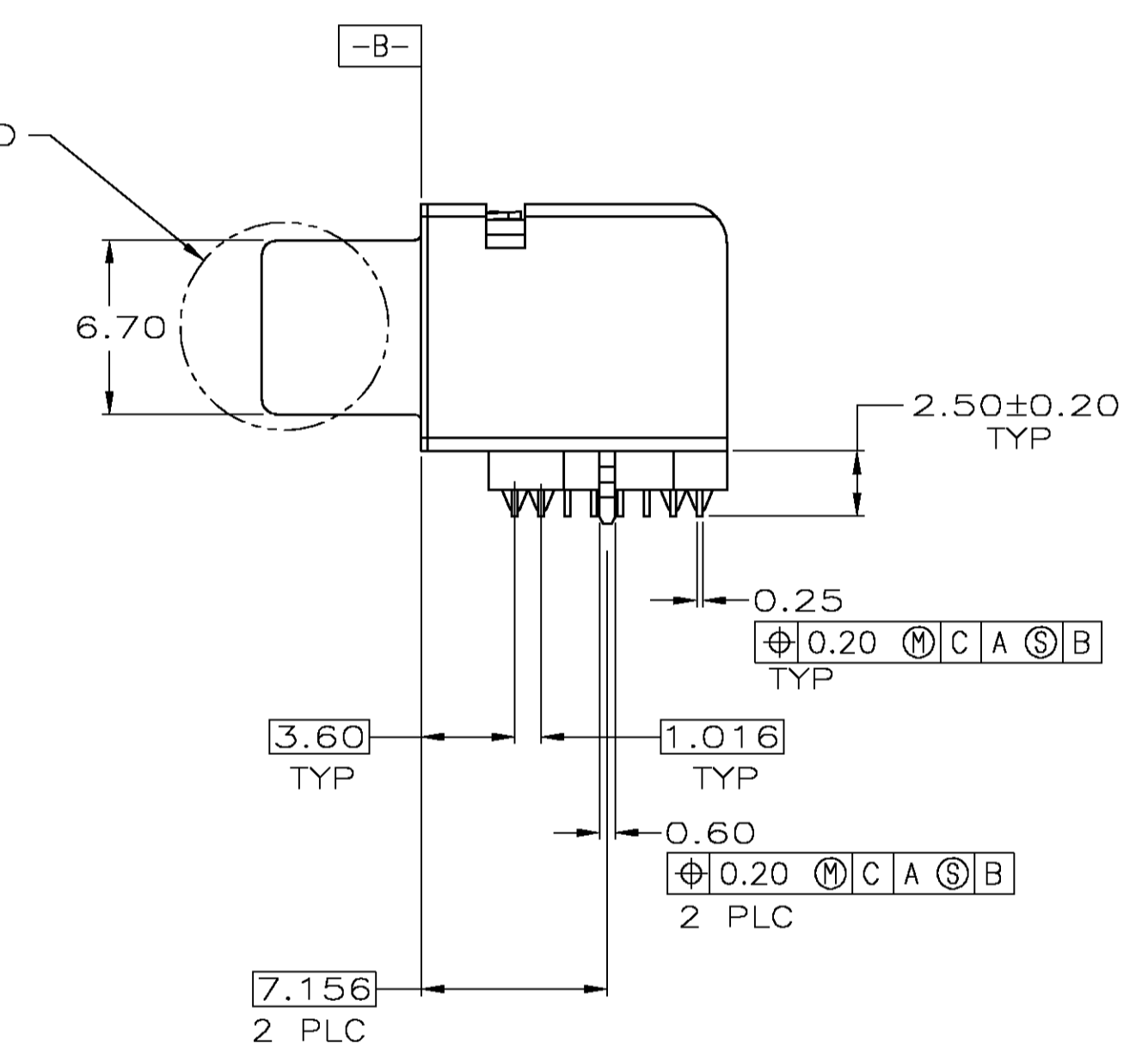
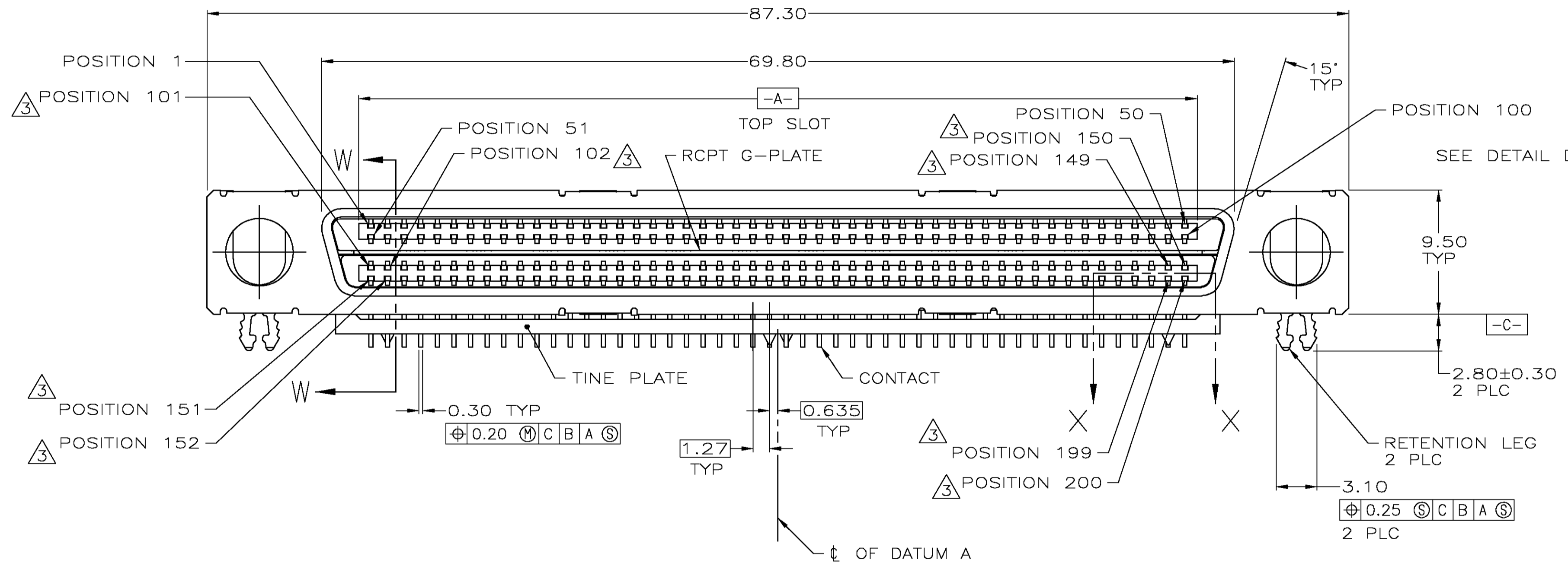


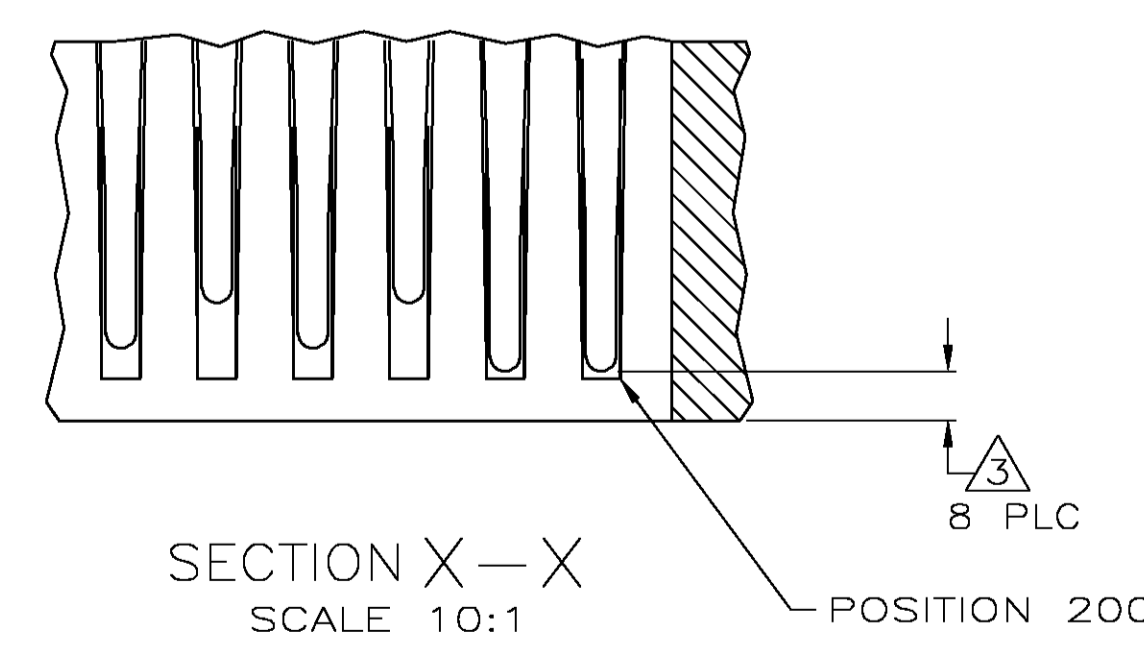
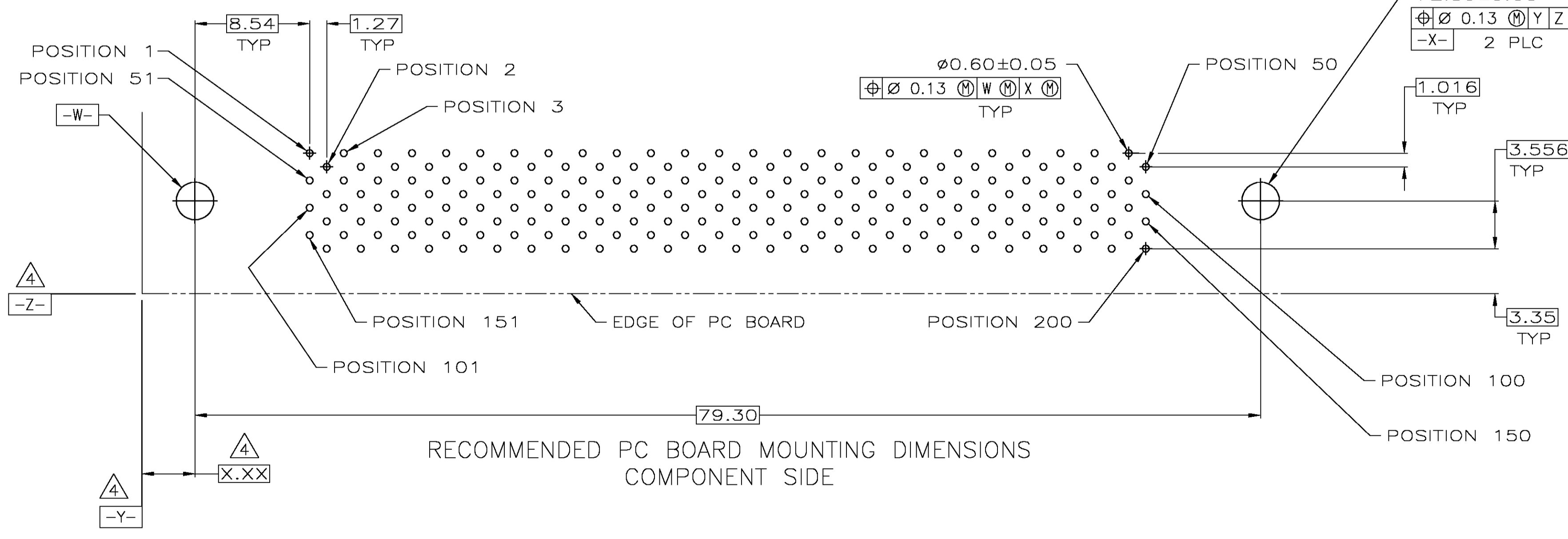
LOC		DIST		REVISIONS			
GP	00	P	LTR	DESCRIPTION	DATE	DMN	APVD
0				RELEASED PER EC 0513-0440-04	12-07-04	GA	JG



- △ HOUSING AND TINE PLATE: POLYESTER, NATURAL.
CONTACTS: PHOSPHOR BRONZE.
SHELL: CARBON STEEL.
RCPT G-PLATE: STAINLESS STEEL.
RETENTION LEG: BRASS.
- △ SHELL: 3.00µm MIN NICKEL OVER 1.30µm MIN COPPER.
RETENTION LEG: 2.00µm MIN TIN OVER 1.00µm MIN NICKEL.
CONTACTS: 0.76µm MIN GOLD FOR A LENGTH OF 0.90 MIN FROM MATING END,
2.54 MIN TIN FOR A LENGTH OF 2.70 MIN FROM OPPOSITE END,
BOTH OVER 1.27µm MIN NICKEL.
- △ CONTACTS 101,102,149,150,151,152,199, AND 200 ARE SEQUENCED TOWARD MATING FACE AS SHOWN, ALL OTHERS ARE SEQUENCED IN A STAGGERED PATTERN.
- △ DATUMS AND BASIC DIMENSIONS ESTABLISHED BY CUSTOMER.
- △ DATE CODE MAY BE MARKED ON EITHER END.



DETAIL D
SCALE 10:1



5788450-1
PART NUMBER

**COPYRIGHT 2005
TYCO ELECTRONICS CORP
ALL RIGHTS RESERVED**

THIS DRAWING IS A CONTROLLED DOCUMENT.		DIN G. ATTADIA 12-07-04	Tyco Electronics Corporation Harrisburg, PA 17105-3608
DIMENSIONS: mm		C. ROHDE 12-07-04	
TOLERANCES UNLESS OTHERWISE SPECIFIED:		APVD W. WALMSLEY 12-07-04	NAME RECEPTACLE ASSEMBLY, 200 POSITION, RIGHT ANGLE, .050, CHAMP
0 PLC ± -	1 PLC ± -	PRODUCT SPEC	APPLICATION SPEC
2 PLC ± 0.25	3 PLC ± -	SIZE	CAGE CODE DRAWING NO
4 PLC ± -	ANGLES ± ±	WEIGHT	A1 00779 C=5788450
MATERIAL △	FINISH △	CUSTOMER DRAWING	SCALE 4:1 SHEET 1 OF 1 REV 0