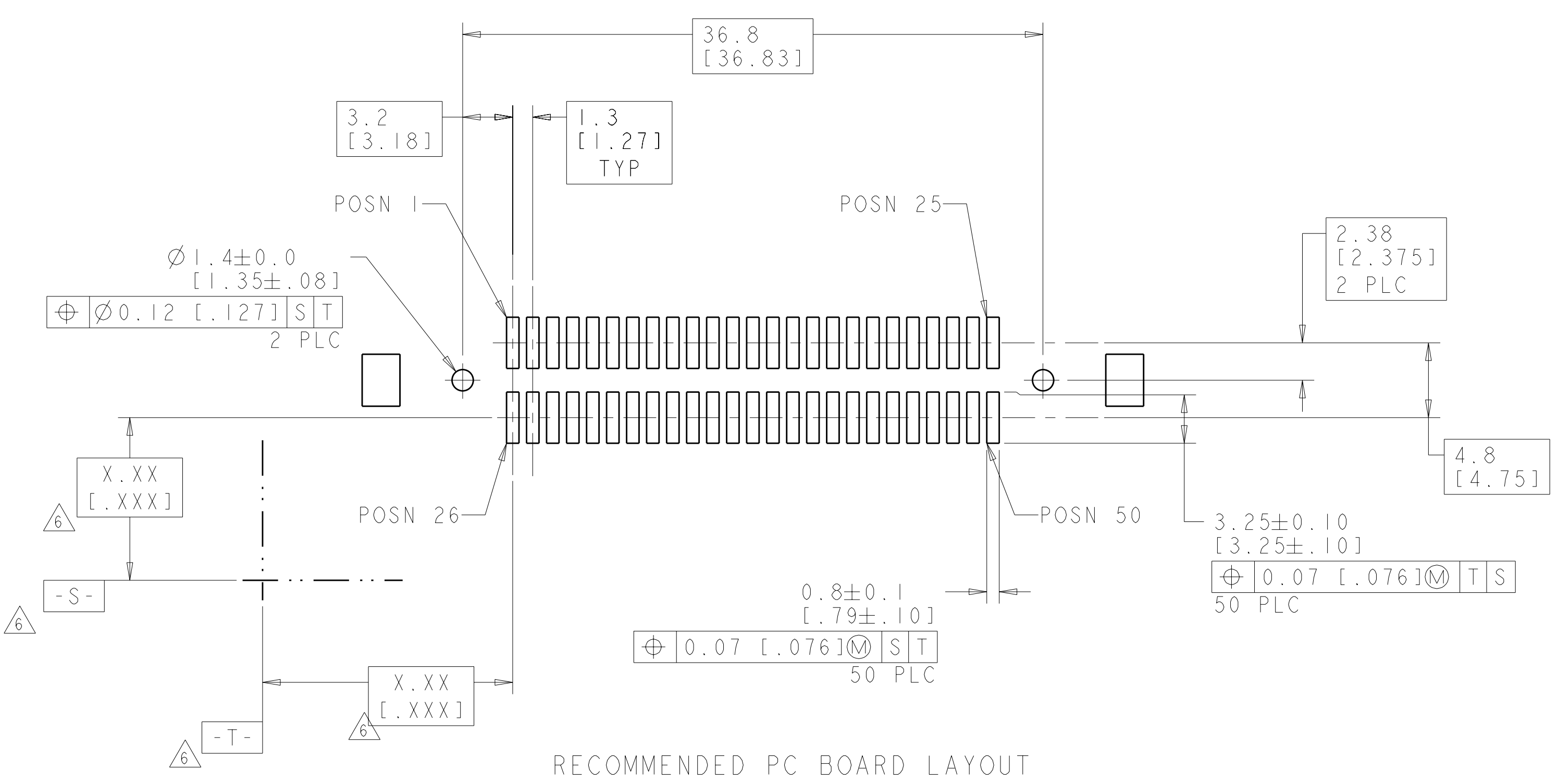
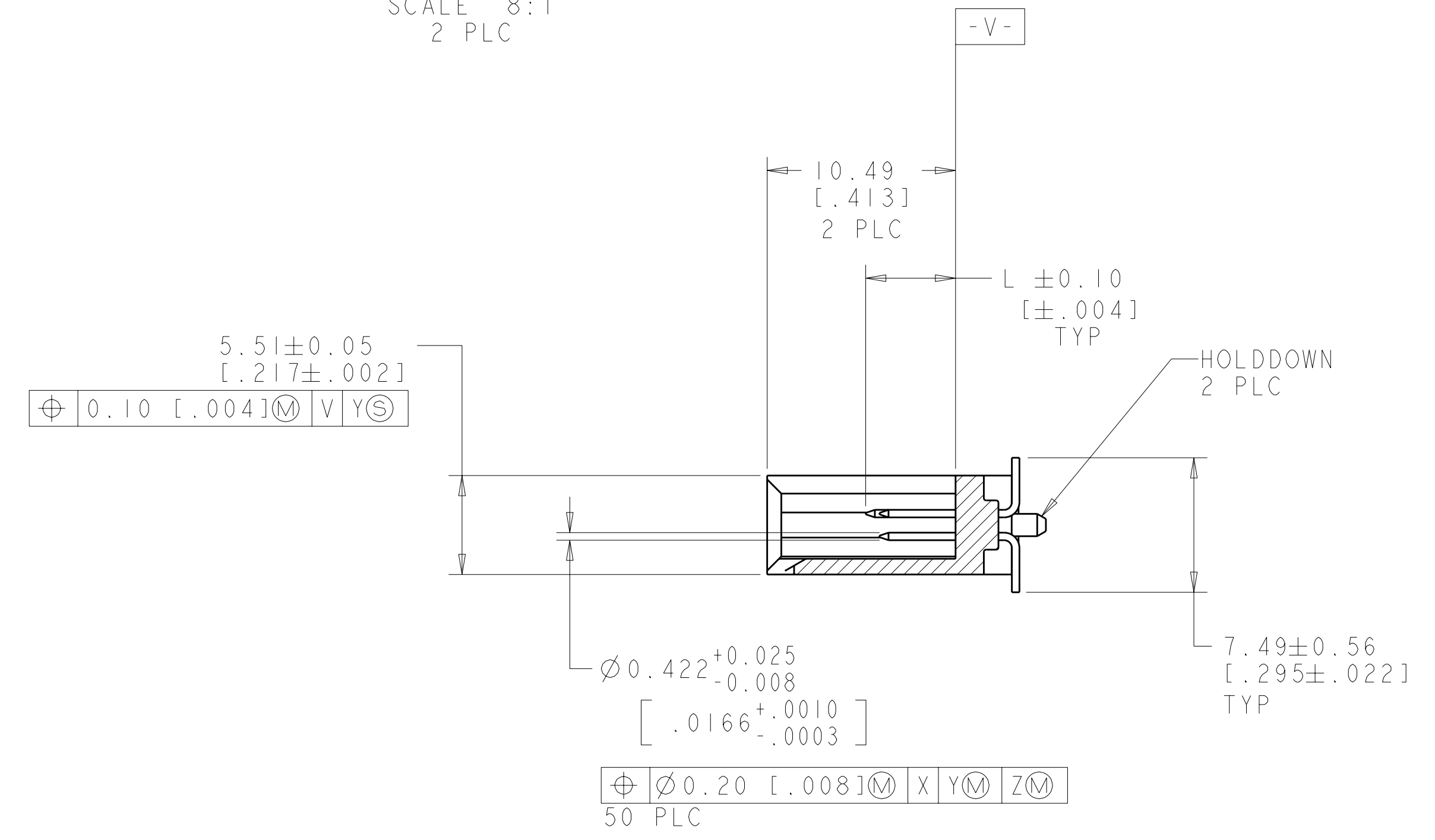
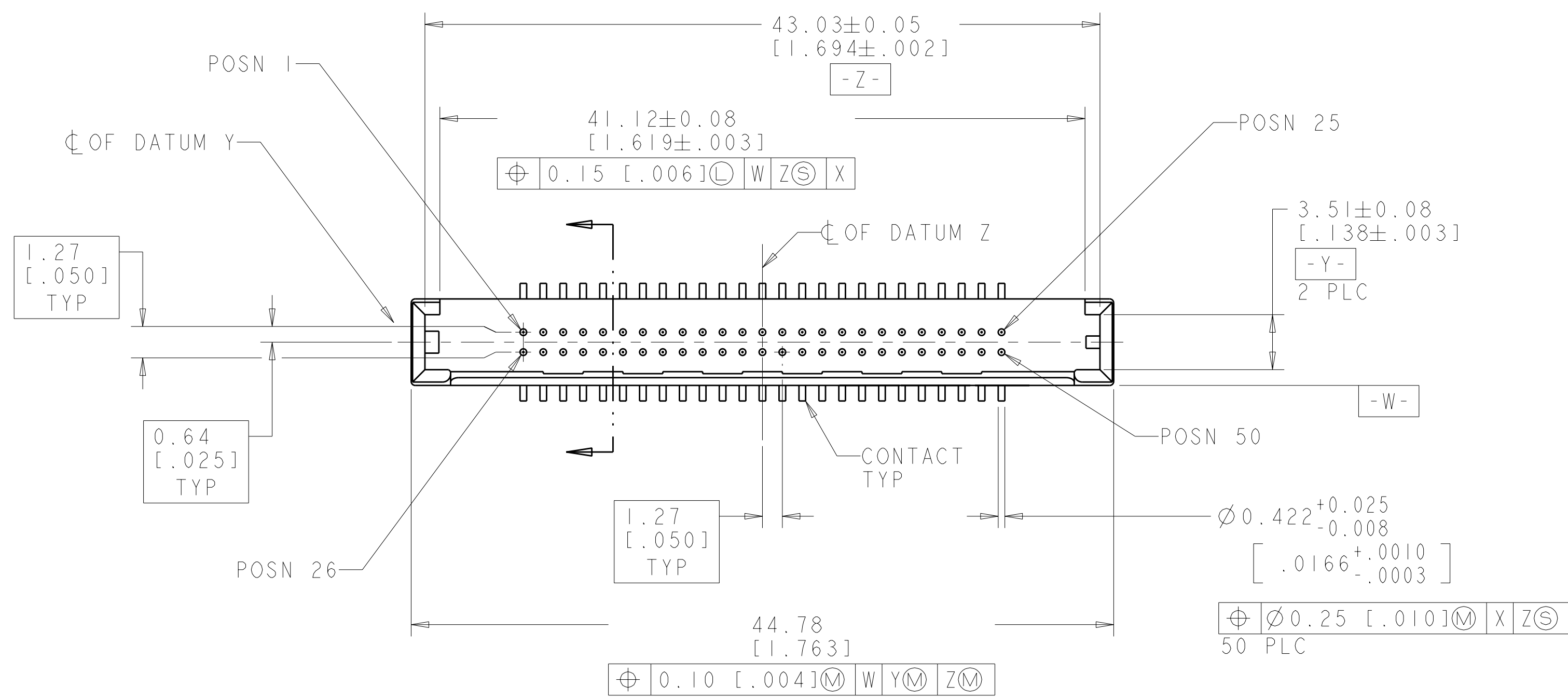
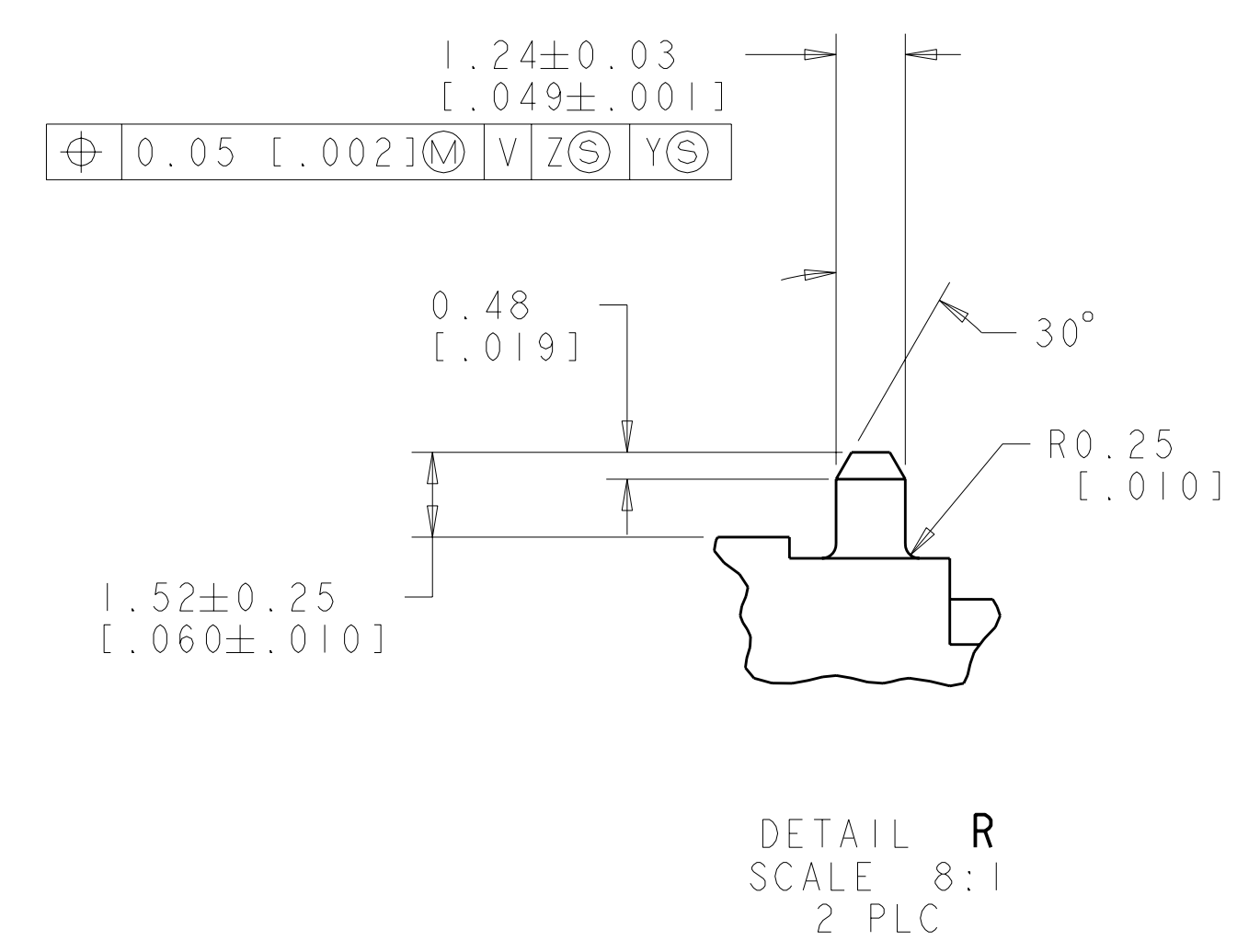
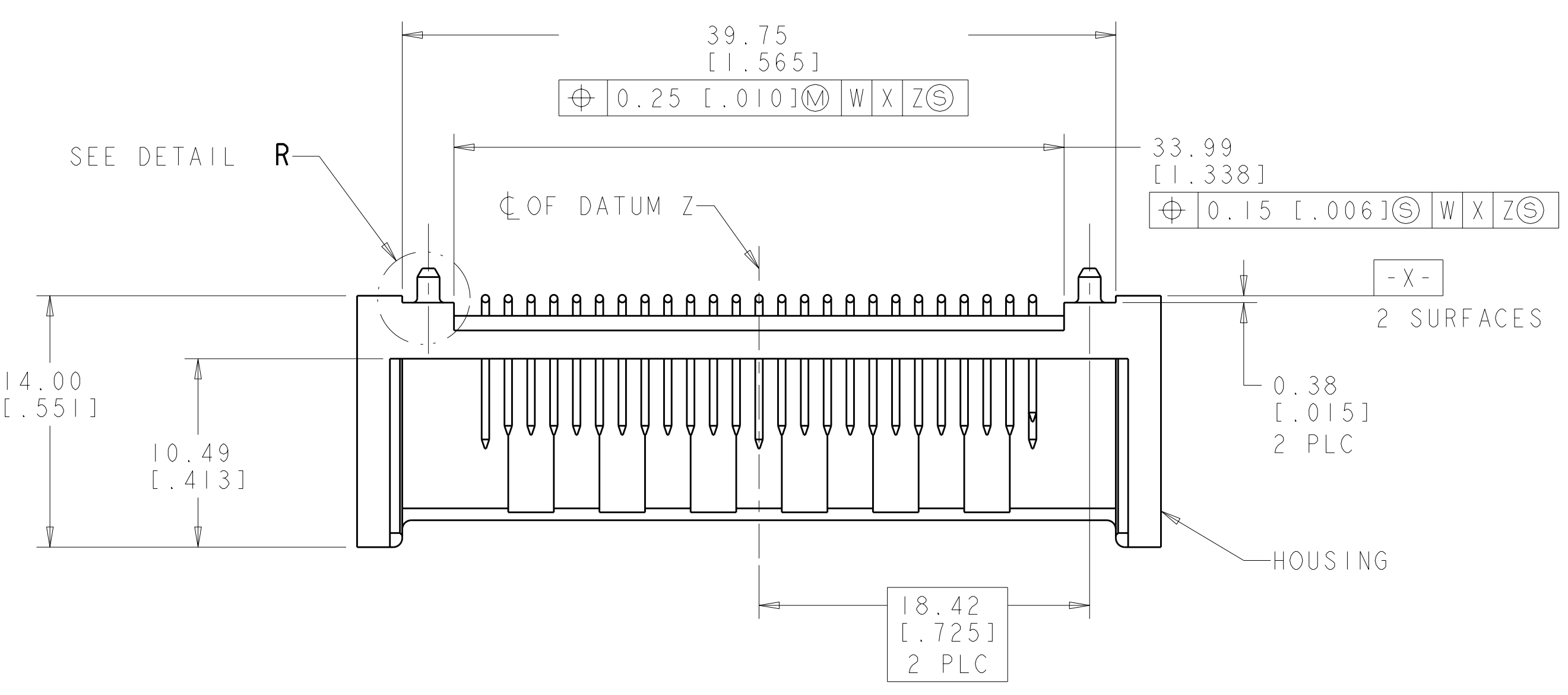


LOC	DIST	REV	DATE	BY	APPD
GP	00	A	17JUL2009	CR	DG
		A1	30JUN2010	CJV	DLG



- 1 HOUSING: POLYESTER LCP, BLACK. CONTACTS: BRASS.
- 2 CONTACTS: 0.76µm [0.000030] MIN GOLD FOR A LENGTH OF 3.51 [0.138] MIN IN CONTACT AREA, 3.81µm [0.000150] MIN TIN FOR A LENGTH OF 2.0 [0.079] MIN ON SOLDER TAILS, ALL OVER 1.27µm [0.000050] MIN NICKEL.
- 3 DIMENSION APPLIES TO POSITIONS 25 AND 26.
- 4 DIMENSION APPLIES TO POSITIONS 2 THRU 12, 14 THRU 24, 27 THRU 37 AND 39 THRU 49.
- 5 DIMENSION APPLIES TO POSITIONS 1, 13, 38 AND 50.
- 6 DATUMS AND BASIC DIMENSIONS ESTABLISHED BY CUSTOMER.

5.00 [0.197] 5	4.24 [0.167] 4	3.51 [0.138] 3	5788643-1
L			PART NUMBER
DWN G. PETERS 25NOV05		Tyco Electronics Harrisburg, PA 17105-3608	
CHK D. GORENC 25NOV05		NAME PIN HEADER ASSEMBLY, VERTICAL, 50 POSITION, SURFACE MOUNT, CompactFlash	
APVD M. WALMSLEY 25NOV05		PRODUCT SPEC 108-1469	
APPLICATION SPEC		SIZE CAGE CODE DRAWING NO. RESTRICTED TO	
MATERIAL 1		WEIGHT -	
FINISH 2		A100779C=5788643	
CUSTOMER DRAWING		SCALE 4:1 SHEET 1 OF 1 REV A1	