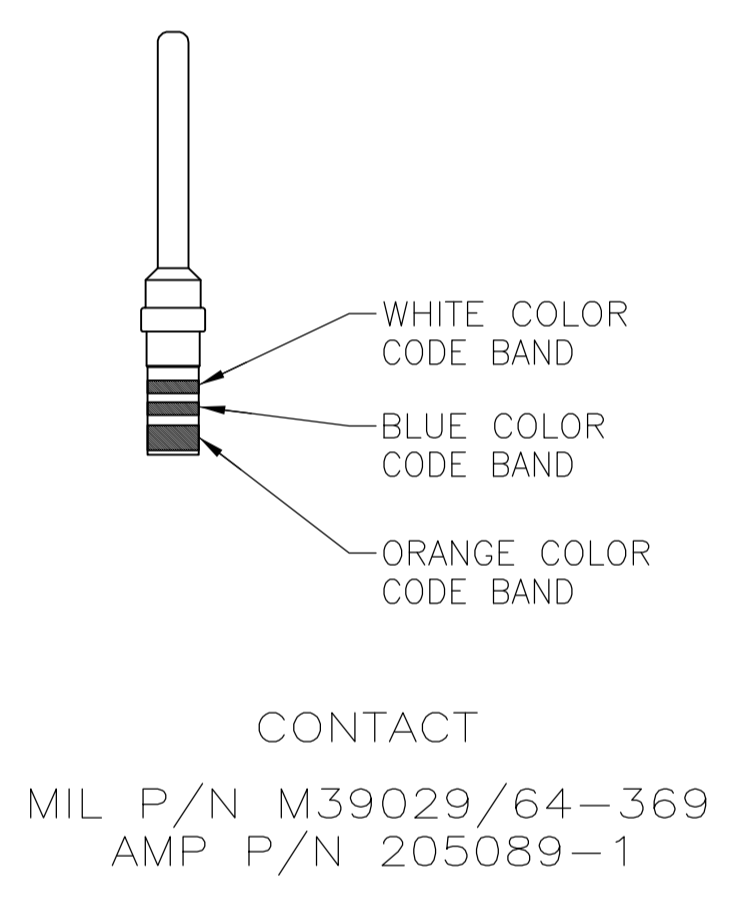
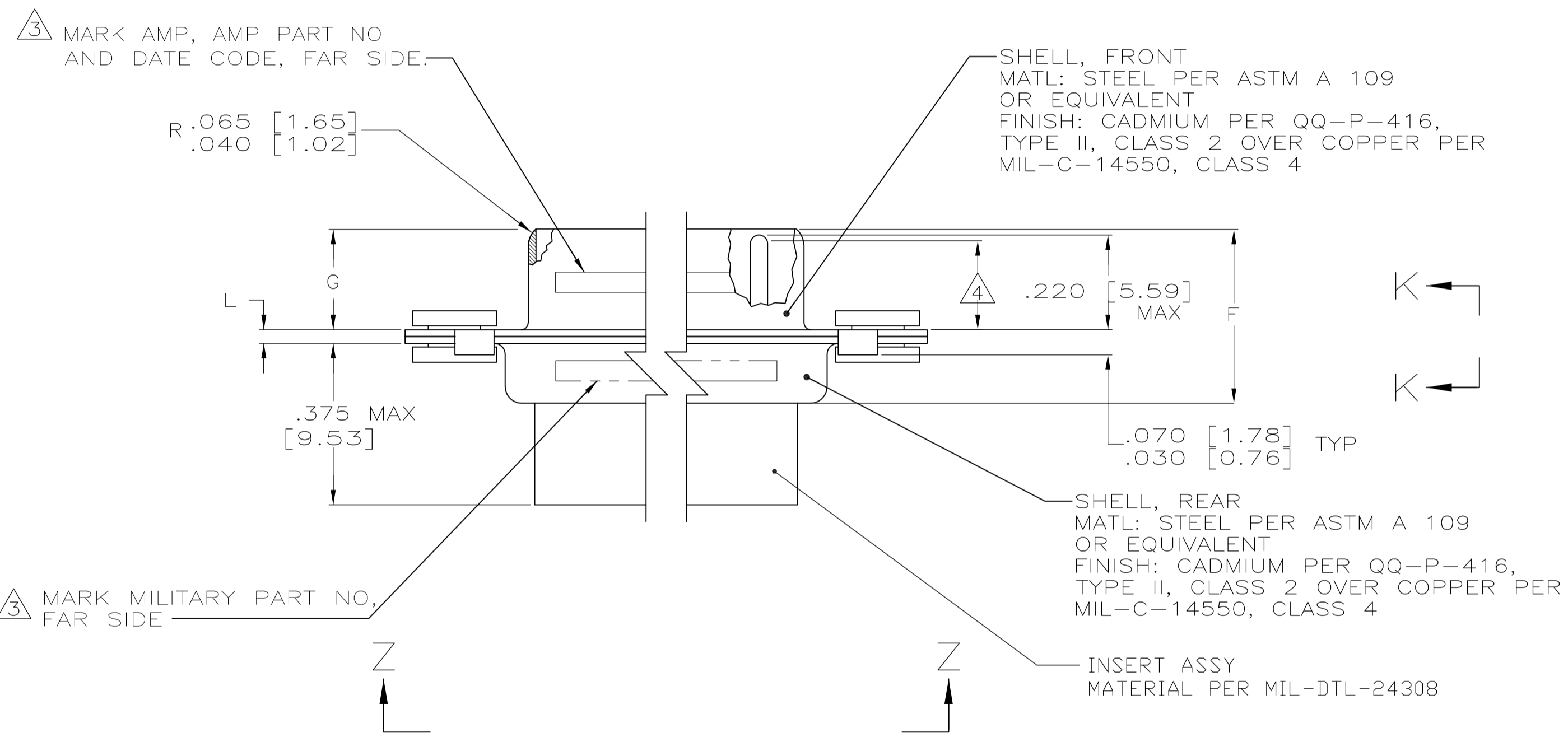
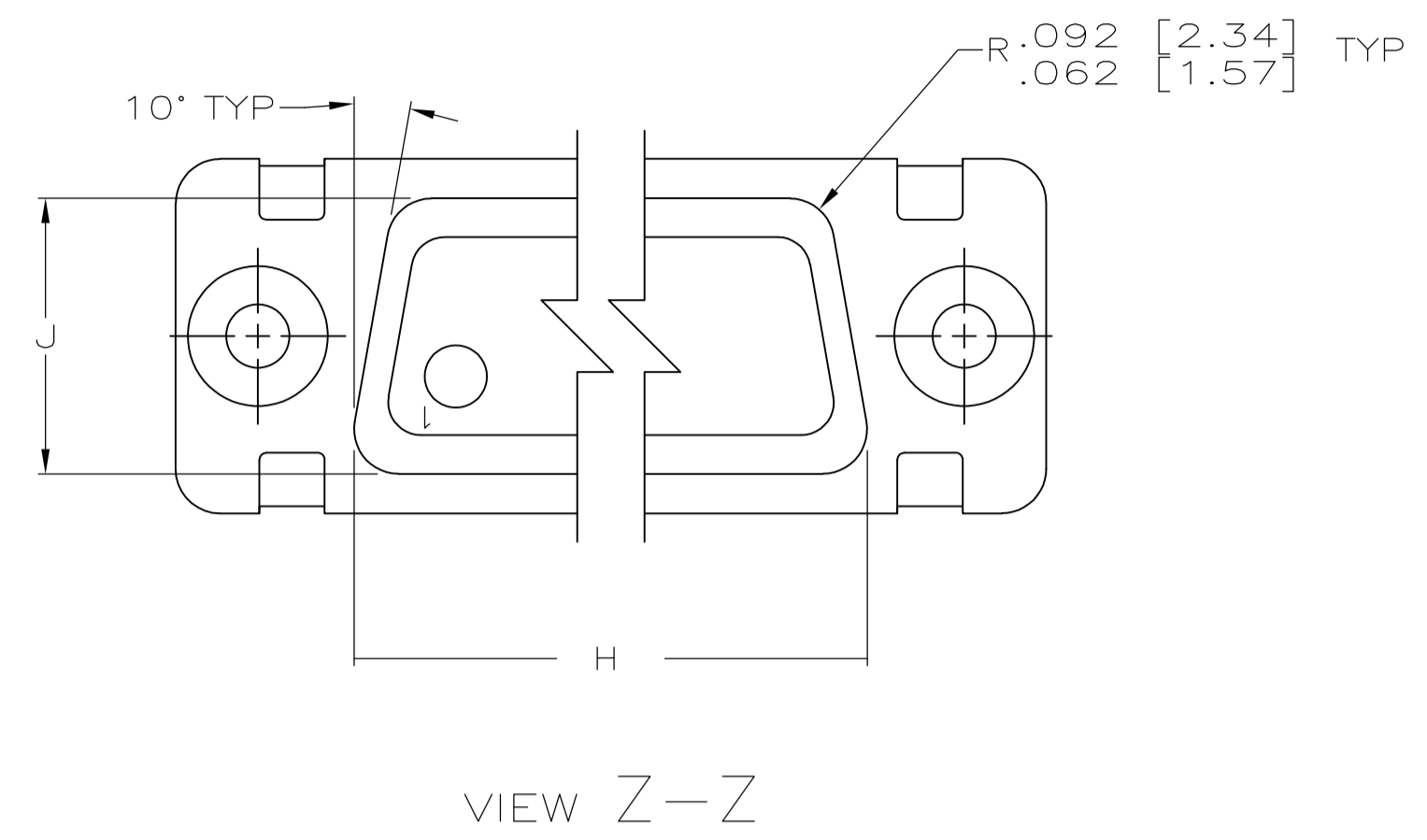
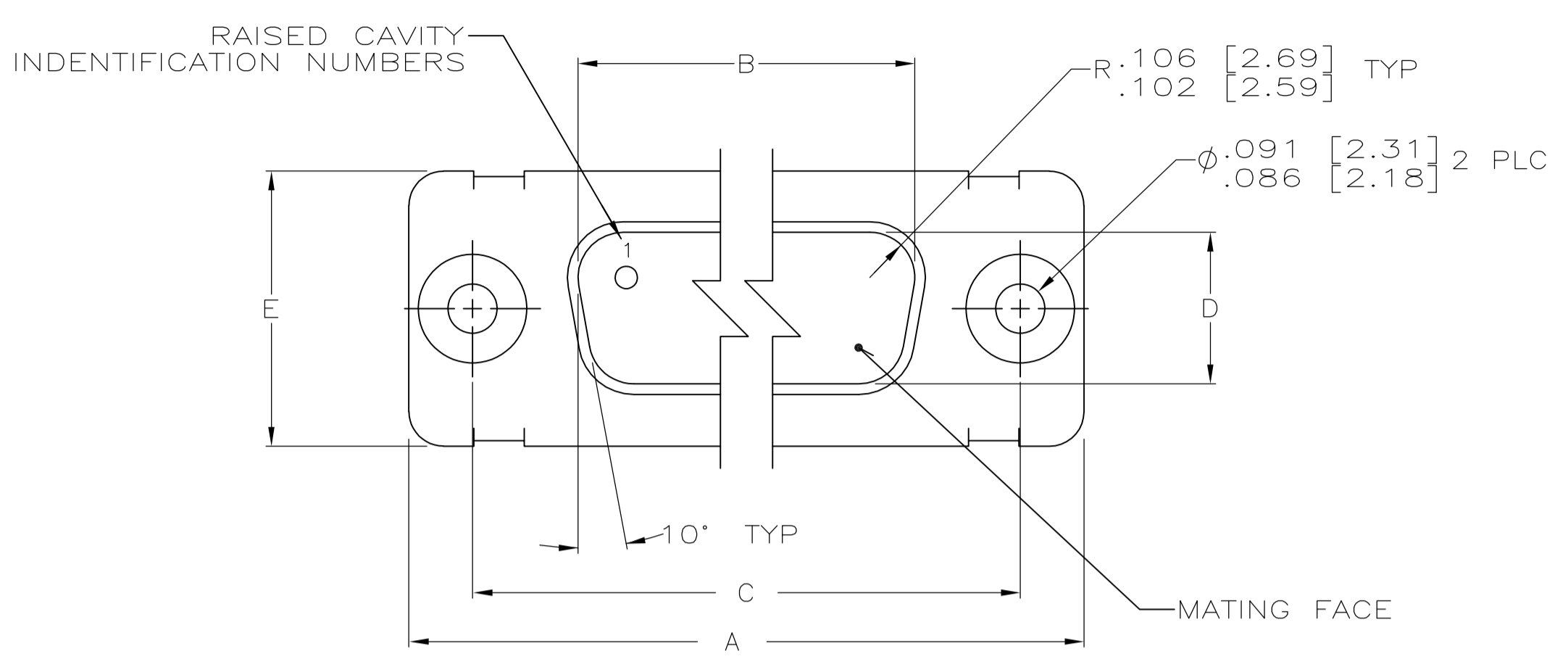


REVOLUTIONS		DATE	BY	APPV
NO	DESCRIPTION			
1	REV PER ECO 15-005906	5-19-15	CT	DM



1. THIS CONNECTOR ASSEMBLY IS SUPPLIED WITH METAL CONTACT RETENTION CLIPS INSTALLED IN THE INSERT ASSEMBLY.
2. THIS CONNECTOR ASSEMBLY MEETS THE REQUIREMENTS OF MIL-C-24308 AND MATES WITH ANY RECEPTACLE CONNECTOR WITH THE SAME INSERT ARRANGEMENT.

3. THE PART NUMBER MARKED ON THE CONNECTOR DIFFERS FROM THE PART NUMBER ORDERED DUE TO THE MARKING REQUIREMENTS OF MIL-C-24308/4 (PART NUMBER MARKED ON CONNECTOR REPRESENTS CONNECTOR ASSEMBLY WITH CONTACTS). MARK WITH .047 [1.19]-.062 [1.57] HIGH CHARACTERS. FAR SIDE REFERS TO THE WIDE SIDE OF THE KEYSTONE. NEAR SIDE REFERS TO THE NARROW SIDE OF THE KEYSTONE. IF THE REAR SHELL IS TOO SMALL FOR THE ENTIRE MILITARY PART NUMBER, MARKING SHALL BE LOCATED AS FOLLOWS:

- A. "M24308" ON FRONT SHELL, FAR SIDE.
- B. SLASH SHEET AND DASH NUMBER ON REAR SHELL, FAR SIDE.
- C. "AMP" AND DATE CODE ON FRONT SHELL, NEAR SIDE.
- D. AMP PART NUMBER ON REAR SHELL, NEAR SIDE.

IF THE FRONT SHELL IS TOO SMALL FOR "AMP", AMP PART NUMBER AND DATE CODE, THEN SPLIT AS FOLLOWS:

- A. AMP PART NUMBER ON REAR SHELL, NEAR SIDE.
- B. "AMP" AND DATE CODE ON FRONT SHELL, NEAR SIDE.
- C. MILITARY PART NUMBER ON REAR SHELL, FAR SIDE.

4. REQUIREMENT FOR FULL PIN DIAMETER EXTENSION:
 .164 [4.17] MIN, SHELL SIZES 1 AND 2.
 .155 [3.94] MIN, SHELL SIZES 3, 4, AND 5.
 CONTACT SHOWN INSTALLED FOR DIMENSIONAL REFERENCE ONLY.

5. MAXIMUM WIRE INSULATION TO BE USED WITH THIS CONNECTOR ASSEMBLY IS .072 [1.83] DIAMETER.

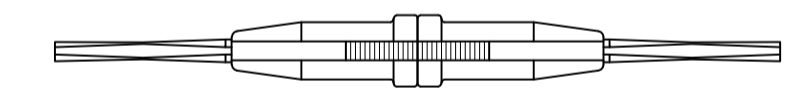
6. FOR CONTACT CRIMPING INSTRUCTION SHEET REFER TO AMP IS 408-7516. FOR CONTACT INSTALLATION AND REMOVAL INSTRUCTION SHEET REFER TO AMP IS 408-7508.

7. FLOAT SPECIFICATIONS ARE .004 [0.10]-.012 [0.30] VERTICALLY AND .026 [0.66]-.036 [0.91] HORIZONTALLY.

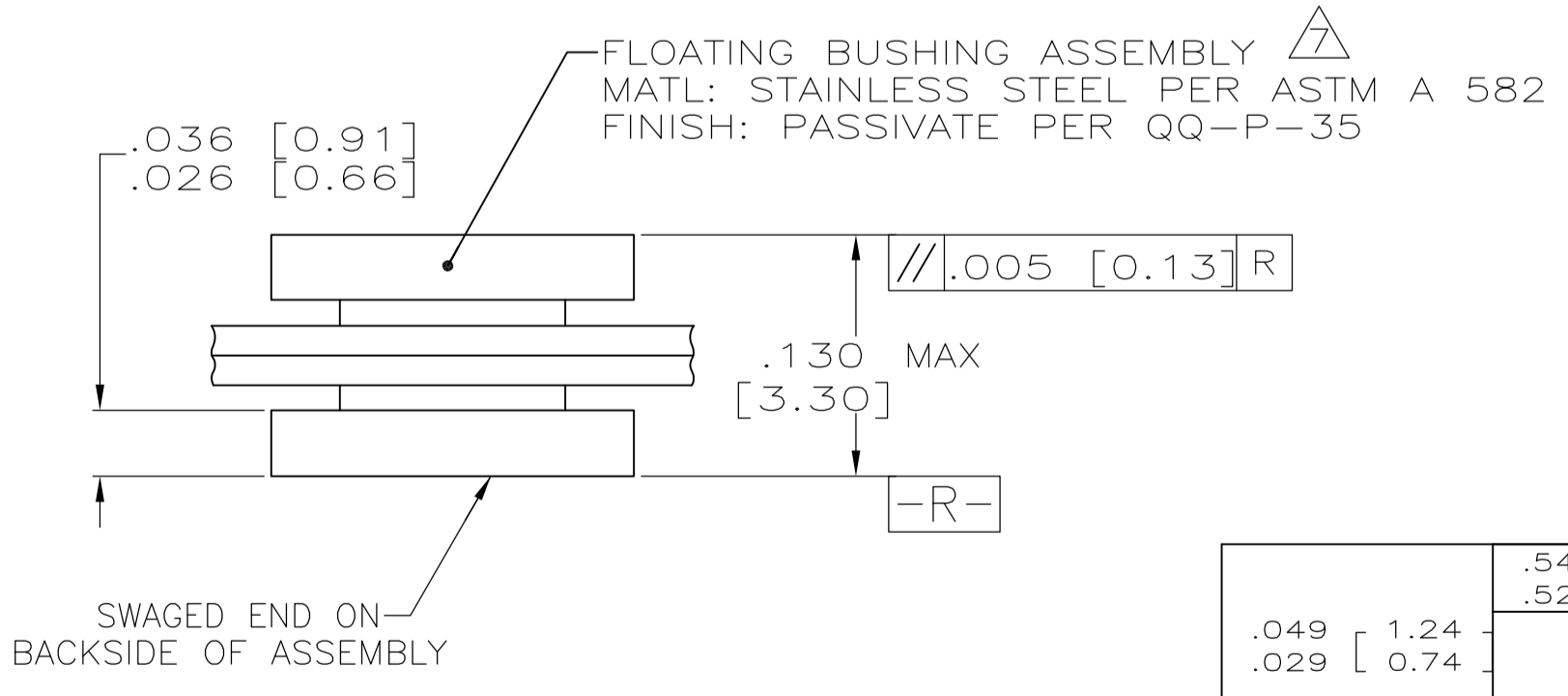
8. PART NUMBER FOR ORDERING.

9. DIMENSIONS AND TOLERANCES PER ANSI Y14.5M-1982.

10. THIS DRAWING SHALL BE INTERPRETED IN ACCORDANCE WITH APPLICABLE STANDARDS LISTED IN MIL-STD-100.



SCALE 1:1
 INSTALLATION & REMOVAL TOOL
 MIL P/N M81969/1-02
 AMP P/N 91067-2
 QTY 1



VIEW K-K
 SCALE 10:1

L	J	H	G	F	E	D	C	B	A	INSERT ARRANGEMENT	NO OF POS	SHELL SIZE	PACKAGE MILITARY P/N	MILITARY P/N ON CONNECTOR	AMP P/N ON CONNECTOR	PART NUMBER												
.049	1.24	.544	13.82	2.188	55.58	.236	5.99	.436	11.07	.620	15.75	.446	11.33	2.411	61.24	2.084	52.93	2.650	67.31	MS18277-1	50	5	M24308/4-317F	M24308/4-306F	593030-5	593032-5		
.029	0.74	.524	13.31	2.168	55.07	.224	5.69	.416	10.57	.590	14.99	.436	11.07	2.401	60.99	2.074	52.68	2.620	66.55	MS18276-1	37	4	M24308/4-316F	M24308/4-305F	593030-4	593032-4		
				1.635	41.53									1.857	47.17	1.539	39.09	2.103	53.42	MS18275-1	25	3	M24308/4-315F	M24308/4-304F	593030-3	593032-3		
		.432	10.97	1.615	41.02					.509	12.93	.334	8.48	1.847	46.91	1.529	38.84	2.073	52.65	MS18274-1	15	2	M24308/4-314F	M24308/4-303F	593030-2	593032-2		
.040	1.02	.412	10.46	1.093	27.76	.241	6.12	.432	10.97	.479	12.17	.324	8.23	1.317	33.45	.999	25.37	1.556	39.52	MS18273-1	9	1	M24308/4-313F	M24308/4-302F	593030-1	593032-1		
.020	0.51			1.073	27.25	.229	5.82	.412	10.46					1.307	33.20	.989	25.12	1.526	38.76									
		.769	19.53	.749	19.02					.989	25.12	.671	17.04	1.228	31.19	1.198	30.43											

THIS DRAWING IS A CONTROLLED DOCUMENT.

DIMENSIONS: INCHES	TOLERANCES UNLESS OTHERWISE SPECIFIED:	0 PLC ± .0005	1 PLC ± .0005	2 PLC ± .0005	3 PLC ± .0005	4 PLC ± .0005	ANGLES ± .0005
--------------------	--	---------------	---------------	---------------	---------------	---------------	----------------

MATERIAL: SEE CALLOUTS FINISH: SEE CALLOUTS

WEIGHT: --

CUSTOMER DRAWING

SCALE: 4:1 SHEET: 1 OF 1 REV: C

APPROVED: F. KINSEY

DATE: 10-29-92

NAME: AMPLIMITE PLUG ASSY WITH SERIES 109, FLOATING BUSHING, SHELL SIZES 1 THRU 5

PRODUCT SPEC: MIL-C-24308

APPLICATION SPEC: --

SIZE: A1

DRAWING NO: 00779

DATE CODE: --

DRAWING NO: 593032

RESTRICTED TO: --