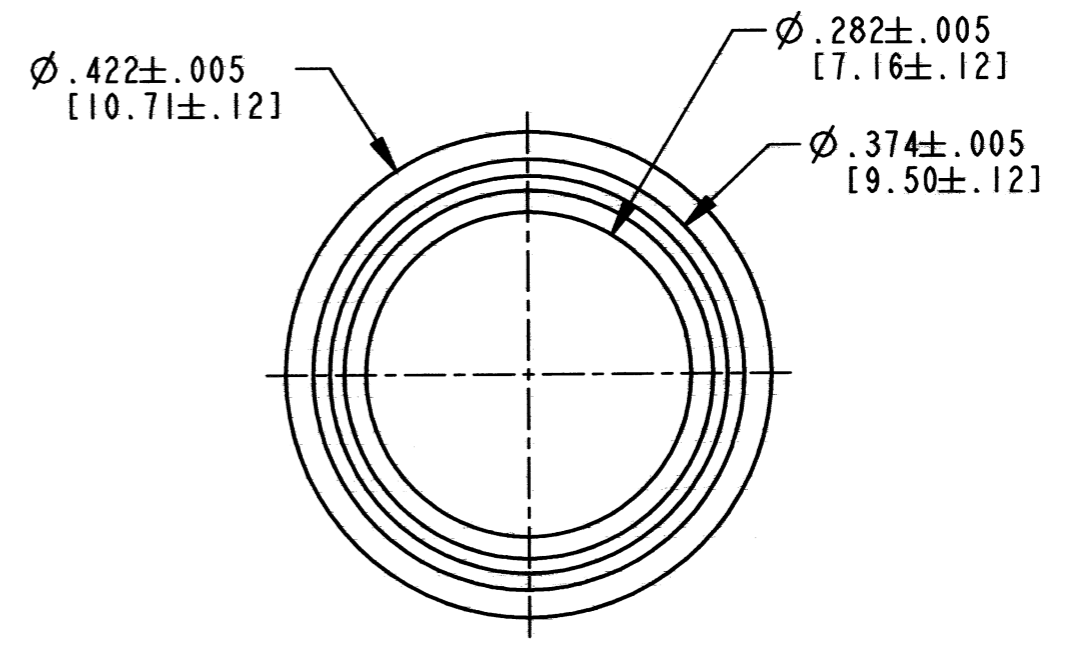
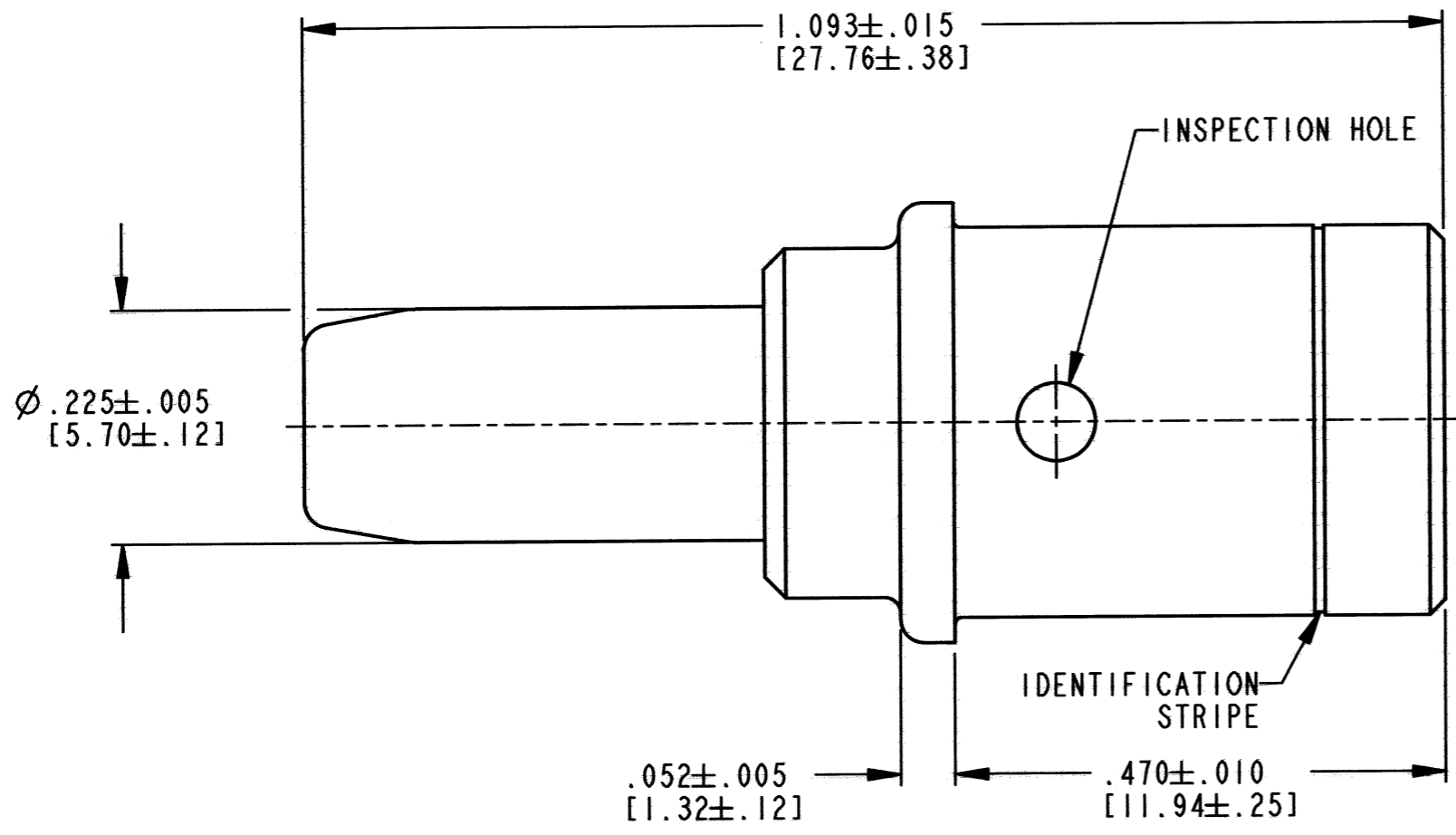


REV
A 5960-203-04**

REVISIONS			
SYM	DESCRIPTION	DATE	APPROVED
NC	NEW RELEASE PER E.O. P21296	2-13-12	R.D.R.
A	REVISED PER E.O. P21378	6-8-12	ADR




5. CONSULT FACTORY WHEN USING CONTACT OTHER THAN -C038 MODIFICATION.
4. FOR CONTACT PERFORMANCE AND APPLICATION CHARACTERISTICS SEE DRAWING 0425-015-0000.
3. THIS CONTACT MAY BE CRIMPED WITH HDP-400 POWER CRIMPER. SEE DRAWING 0425-205-0000 FOR APPLICABLE WIRE SIZE AND CRIMP INFORMATION.
2. WHEN ** = 31: GOLD OVER NICKEL OVER COPPER
WHEN ** = 141: NICKEL OVER COPPER
1. DIMENSIONS ARE IN INCHES [mm].

NOTES: UNLESS OTHERWISE SPECIFIED

SIGNATURE & DATE	
DR	J. APOSTOL 09FEB2012
CHK	R. Effato... 05-31-12
PE	R. Effato... 05-31-12
APPD	D. Meyer 6/1/12
SCALE	NONE
WT	8.35g

CONTACT PIN
SIZE 4
ACCEPTS 4 AWG WIRE
-C038 MOD ONLY

ENVELOPE

EP	MATL. CODE
 3850 INDUSTRIAL AVE. HEMET, CA 92545	
B 5960-203-04**	
DWG SIZE	SHEET OF
11139	

