

THIS DRAWING IS UNPUBLISHED.

RELEASED FOR PUBLICATION

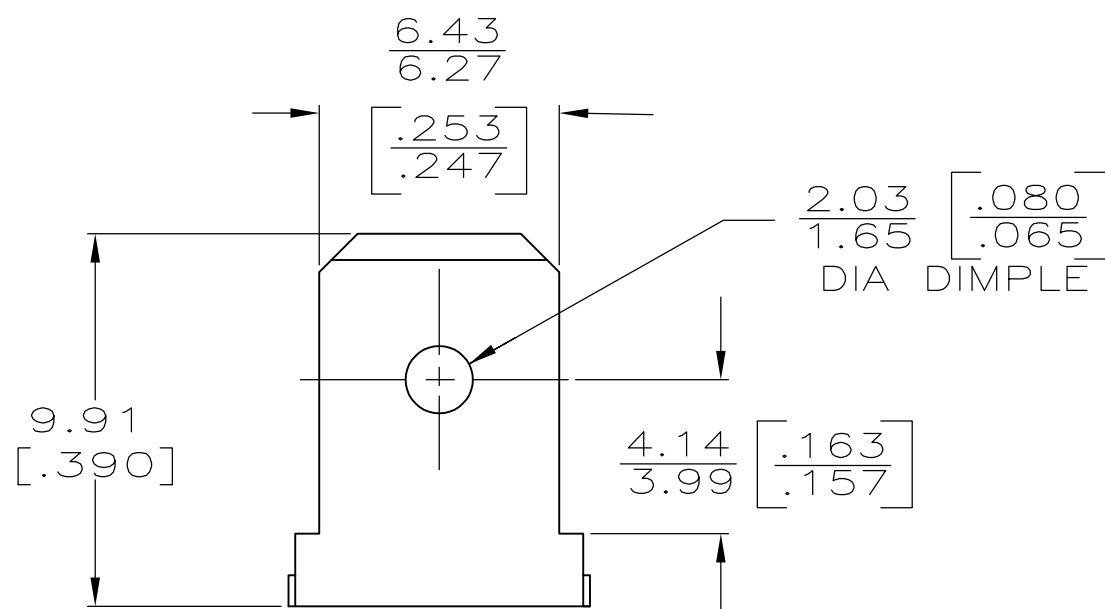
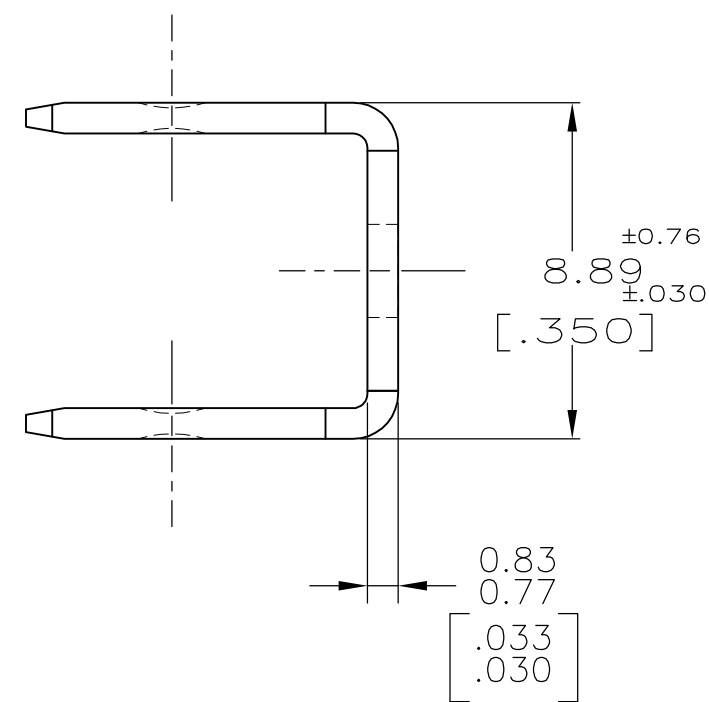
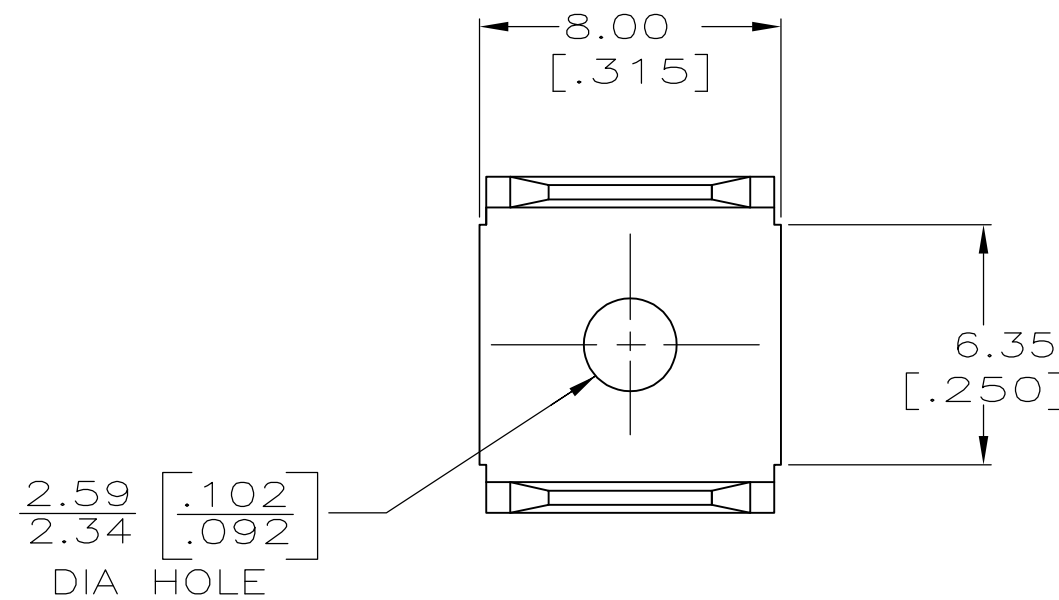
© COPYRIGHT - By -

ALL RIGHTS RESERVED.


LOC	DIST	REVISIONS			
P	LTR	DESCRIPTION	DATE	DWN	APVD
AF	50				
		AJ	REVISED PER ECR-13-011489	06DEC2013	KH PD

1 SUPPLIED IN LOOSE PIECE.

2 PRELIMINARY - NOT FOR PRODUCTION.



TIN OVER COPPER	2 60080-3
TIN	60080-2
FINISH	PART NO

THIS DRAWING IS A CONTROLLED DOCUMENT.		DWN	JR RUTH	12/2/91	 TE Connectivity											
DIMENSIONS: mm [INCHES]		CHK	MS FEHER	12/2/91												
TOLERANCES UNLESS OTHERWISE SPECIFIED:		APVD	MEYERS	12/2/91												
<table border="0"> <tr><td>0 PLC</td><td>± -</td></tr> <tr><td>1 PLC</td><td>± -</td></tr> <tr><td>2 PLC</td><td>± -</td></tr> <tr><td>3 PLC</td><td>± 0.38 [.015]</td></tr> <tr><td>4 PLC</td><td>± -</td></tr> <tr><td>ANGLES</td><td>± -</td></tr> </table>		0 PLC	± -	1 PLC		± -	2 PLC	± -	3 PLC	± 0.38 [.015]	4 PLC	± -	ANGLES	± -	PRODUCT SPEC	NAME
0 PLC	± -															
1 PLC	± -															
2 PLC	± -															
3 PLC	± 0.38 [.015]															
4 PLC	± -															
ANGLES	± -															
MATERIAL		APPLICATION SPEC	TAB, FASTON, 6.35 [.250] SERIES													
BRASS		FINISH	SEE TABLE													
		WEIGHT	-													
		CUSTOMER DRAWING	SIZE	CAGE CODE	DRAWING NO	RESTRICTED TO										
			A3	00779	C-60080	-										
		SCALE	5:1		SHEET	1 OF 1										
					REV	AJ										