

THIS DRAWING IS UNPUBLISHED.

RELEASED FOR PUBLICATION

© COPYRIGHT 1963 By -

ALL RIGHTS RESERVED.

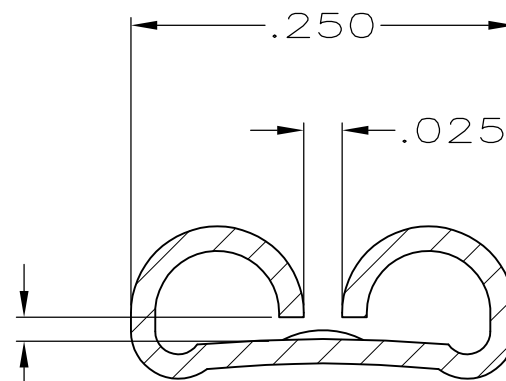
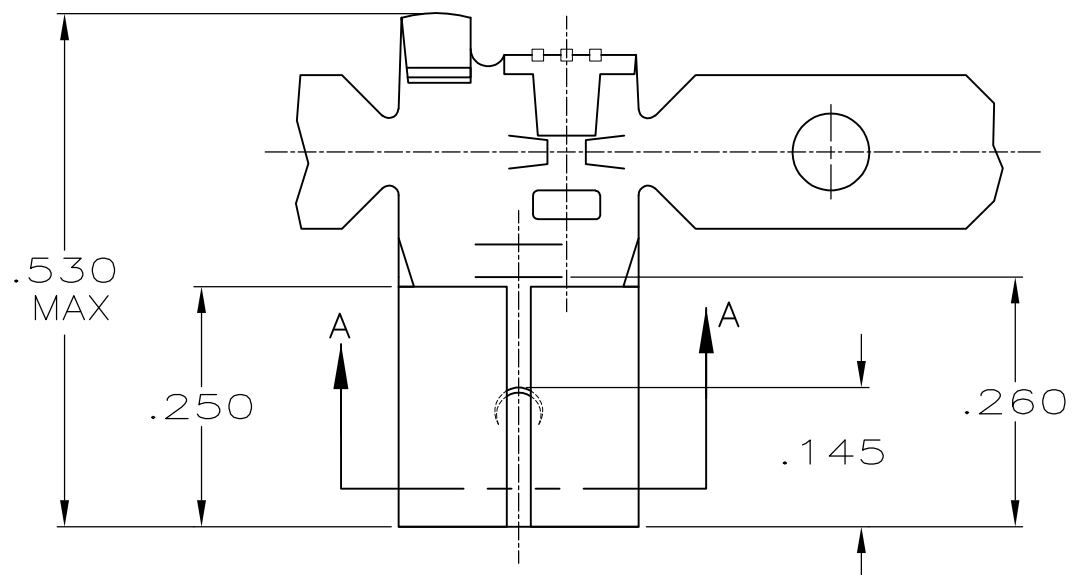
LOC
AF

DIST
50

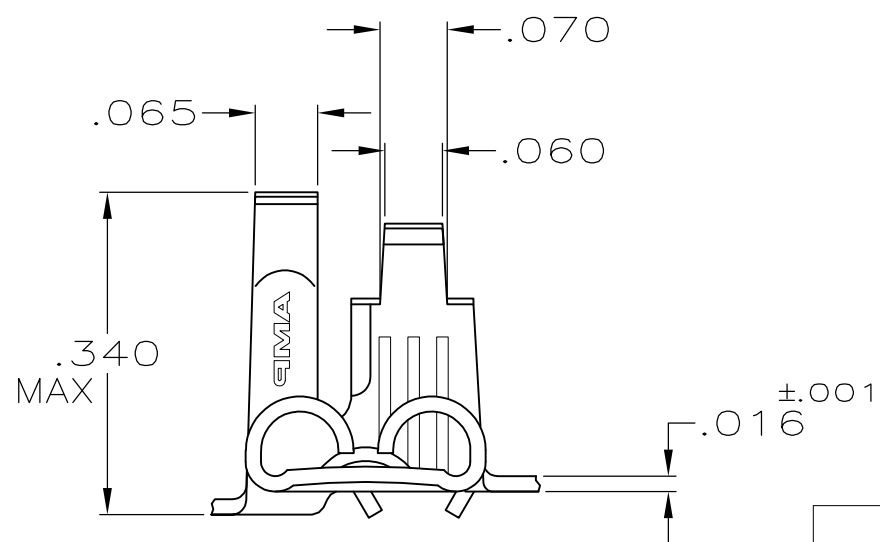
REVISIONS


P	LTR	DESCRIPTION	DATE	DWN	APVD
D		REVISED PER ECR-12-013445	18OCT12	KH	PD

- 1 CONTINUOUS STRIP ON REELS.
- 2 FEED IS $.650 \pm .005$.
- 3 NON-STANDARD DESIGNS. NEW APPLICATIONS MUST BE SUBMITTED TO GATD PRODUCT ENGINEERING FOR APPROVAL. FOR PREFERRED DESIGNS REFER TO C-42711.



SECTION A-A
SCALE 8:1



TIN PLATE	.110-.170	20-14	.032	60195-2		
-	.110-.170	20-14	.032	60195-1		
FINISH	INSULATION RANGE	WIRE RANGE	MATING TAB THICKNESS $\pm .001$	PART NUMBER		
THIS DRAWING IS A CONTROLLED DOCUMENT.		DWN M.S. FEHER 27SEP2004	 TE Connectivity RECEPTACLE, FASTON, FLAG, .205 SERIES			
DIMENSIONS: INCHES		CHK P. DESANTIS 27SEP2004				
TOLERANCES UNLESS OTHERWISE SPECIFIED:		APVD P. DESANTIS 27SEP2004				
0 PLC $\pm -$ 1 PLC $\pm -$ 2 PLC $\pm -$ 3 PLC $\pm .015$ 4 PLC $\pm -$ ANGLES $\pm 1^\circ$		NAME				
MATERIAL BRASS		FINISH SEE TABLE	PRODUCT SPEC -	APPLICATION SPEC -		
		WEIGHT -	SIZE A3	CAGE CODE 00779	DRAWING NO C-60195	RESTRICTED TO -
CUSTOMER DRAWING			SCALE 5:1	SHEET 1 OF 1	REV D	