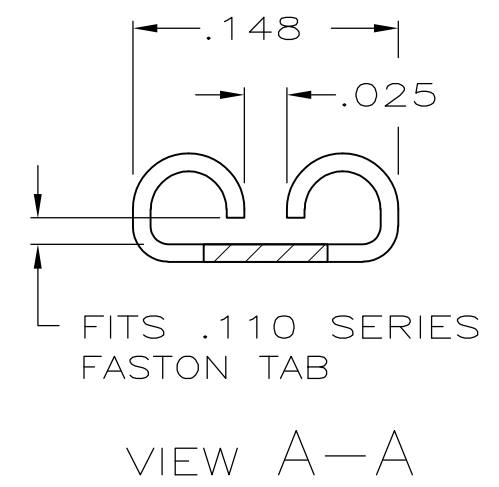
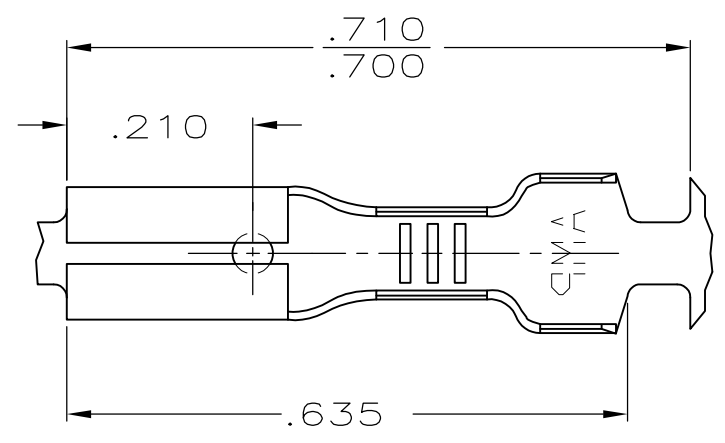
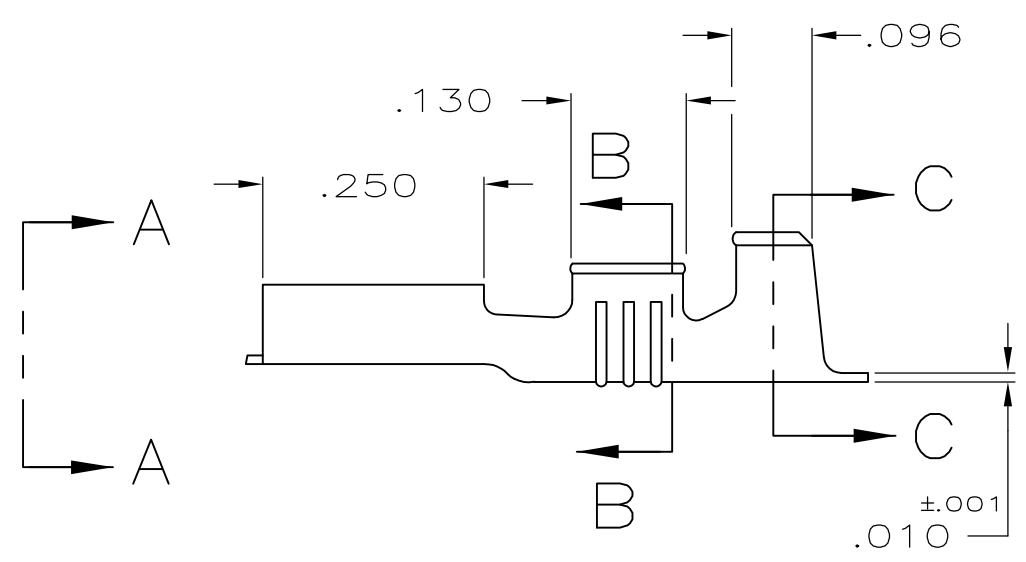
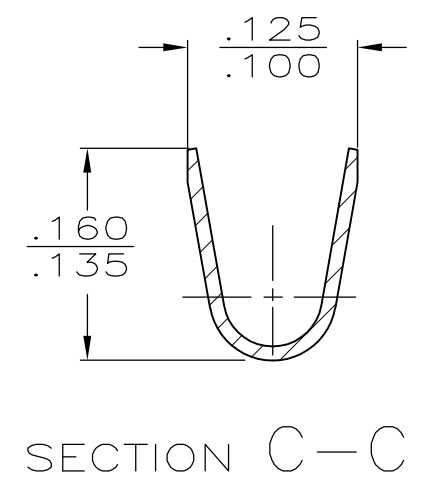
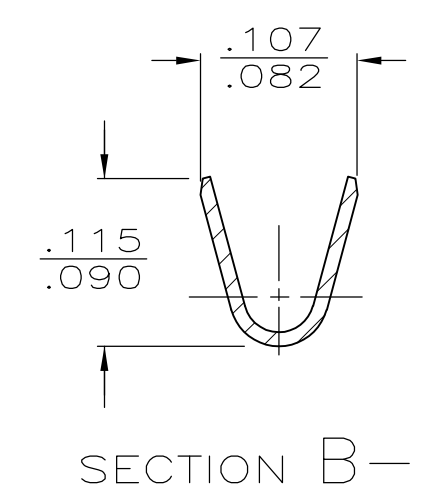


LOC	DIST	REVISIONS					
AF	50	P	LTR	DESCRIPTION	DATE	DWN	APVD
			AR1	REVISED PER ECR-14-004075	24MAR2014	NK	RL



- 1 CONTINUOUS STRIP ON REELS.
- 2 MATING TAB THK IS $.032 \pm .001$.
- 3 FINISH LEAD-FREE, MATTE TIN OVER NICKEL



.060-.100 DIA	#22-#18 AWG	3	60197-3
		PLAIN	60197-2
		PRE-TIN	60197-1
INSUL RANGE	WIRE SIZE	FINISH	PART NO

THIS DRAWING IS A CONTROLLED DOCUMENT.		DWN	JR RUTH	6/23/87	STE TE Connectivity		
DIMENSIONS: mm[INCHES]		CHK	G YETTER	6/23/87			
TOLERANCES UNLESS OTHERWISE SPECIFIED:		APVD	C MEYERS	6/23/87	NAME		
0 PLC ± -		PRODUCT SPEC		RECEPTACLE, FASTON,™			
1 PLC ± -		APPLICATION SPEC		.110 SERIES			
2 PLC ± -		SIZE	A3	CAGE CODE	00779	DRAWING NO	C-60197
3 PLC ± .015		RESTRICTED TO	-				
4 PLC ± -		SCALE	5:1		SHEET	1 OF 1	
ANGLES ± -		REV	AR1				
MATERIAL	BRASS	FINISH	SEE TABLE				
CUSTOMER DRAWING		SCALE		5:1	SHEET	1 OF 1	