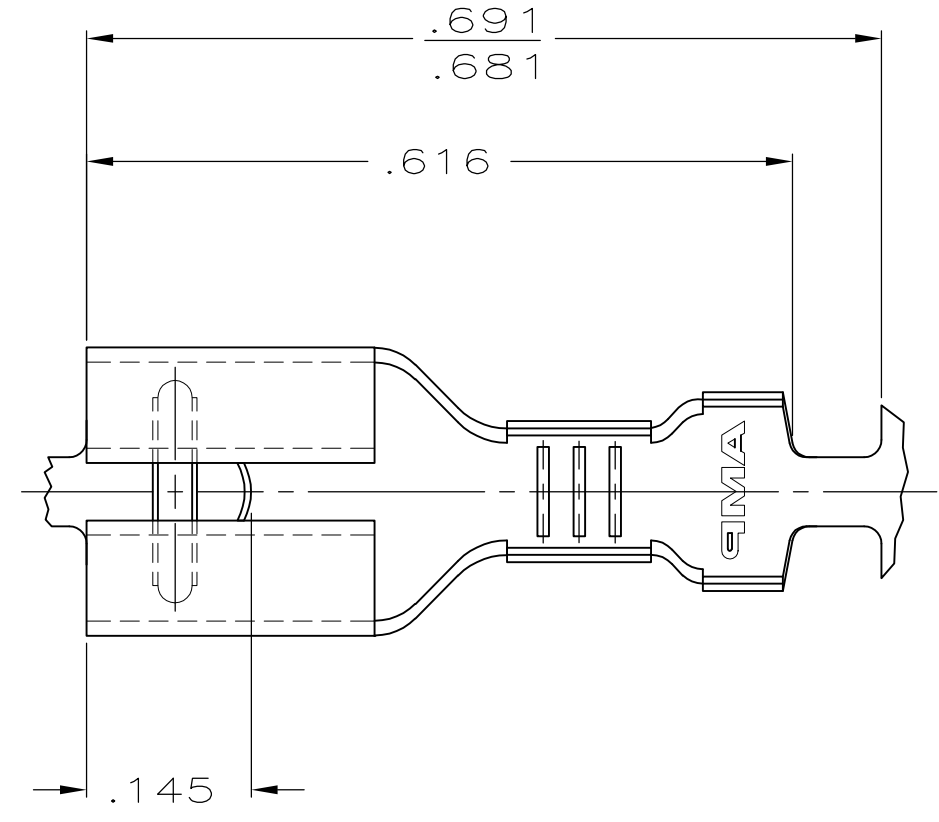
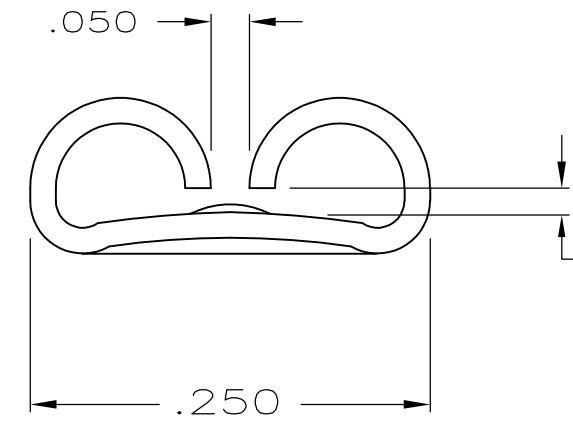


THIS DRAWING IS UNPUBLISHED. RELEASED FOR PUBLICATION
 © COPYRIGHT - By - ALL RIGHTS RESERVED.

LOC	DIST	REVISIONS					
AF	50	P	LTR	DESCRIPTION	DATE	DWN	APVD
			T	REVISED PER ECR-12-013459	28NOV2012	KH	PD

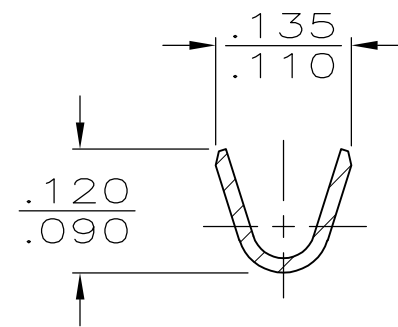
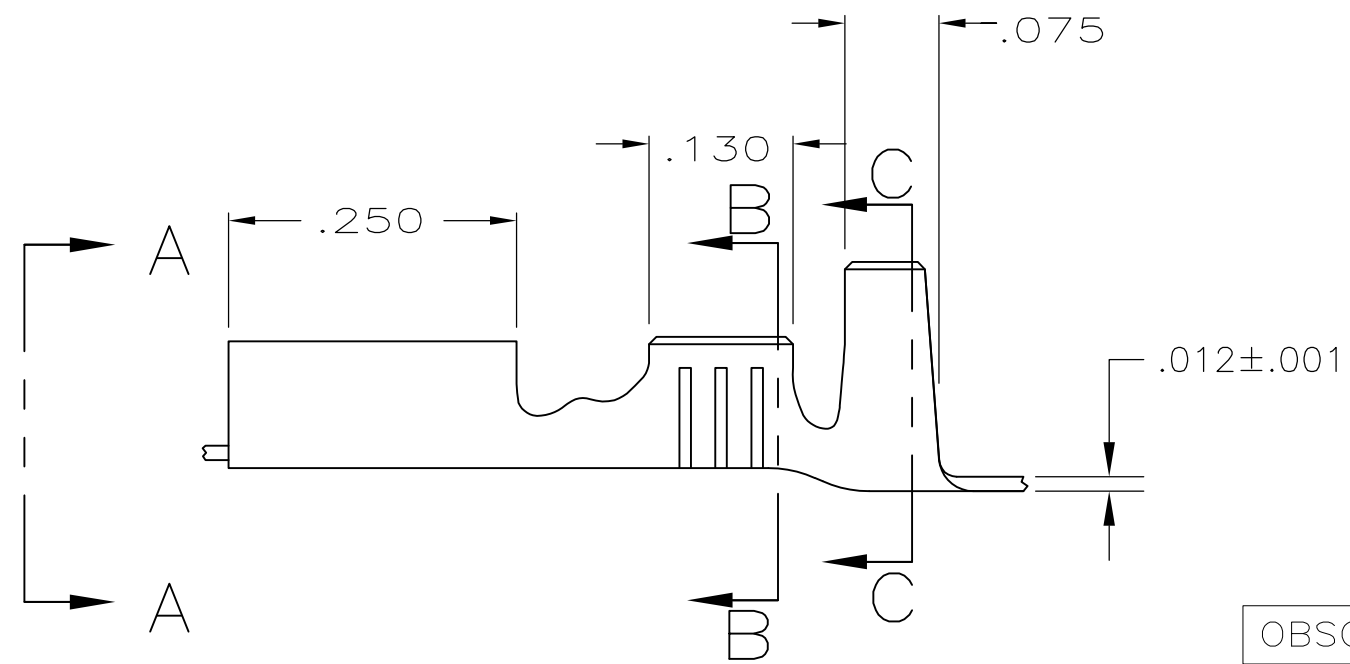


1 CONTINUOUS STRIP ON REELS

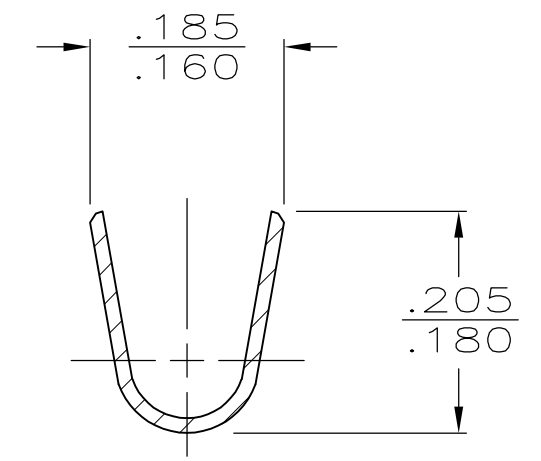


FITS '205' SERIES FASTON TAB

VIEW A-A



SECTION B-B



SECTION C-C

OBSOLETE	TIN				60904-2	
	FINISH	NONE	.032	22-18	.085 - .125	
			MATING TAB THK #.001	WIRE SIZE	INSULATION RANGE	60904-1
					PART NO.	

THIS DRAWING IS A CONTROLLED DOCUMENT.		DWN DK SCHRUM 2-24-89	TE Connectivity RECEPTACLE, FASTON, .205 SERIES							
DIMENSIONS: INCHES		CHK JR RUTH 2-24-89					NAME			
TOLERANCES UNLESS OTHERWISE SPECIFIED:		APVD P DESANTIS 2-24-89					PRODUCT SPEC			
0 PLC ± - 1 PLC ± - 2 PLC ± - 3 PLC ± .015 4 PLC ± - ANGLES ± -		APPLICATION SPEC								
MATERIAL	FINISH	WEIGHT	SIZE	CAGE CODE	DRAWING NO	RESTRICTED TO				
BRASS	SEE TABLE	-	A3	00779	C-60904	-				
CUSTOMER DRAWING			SCALE	SHEET	REV					
			6:1	1 OF 1	T					