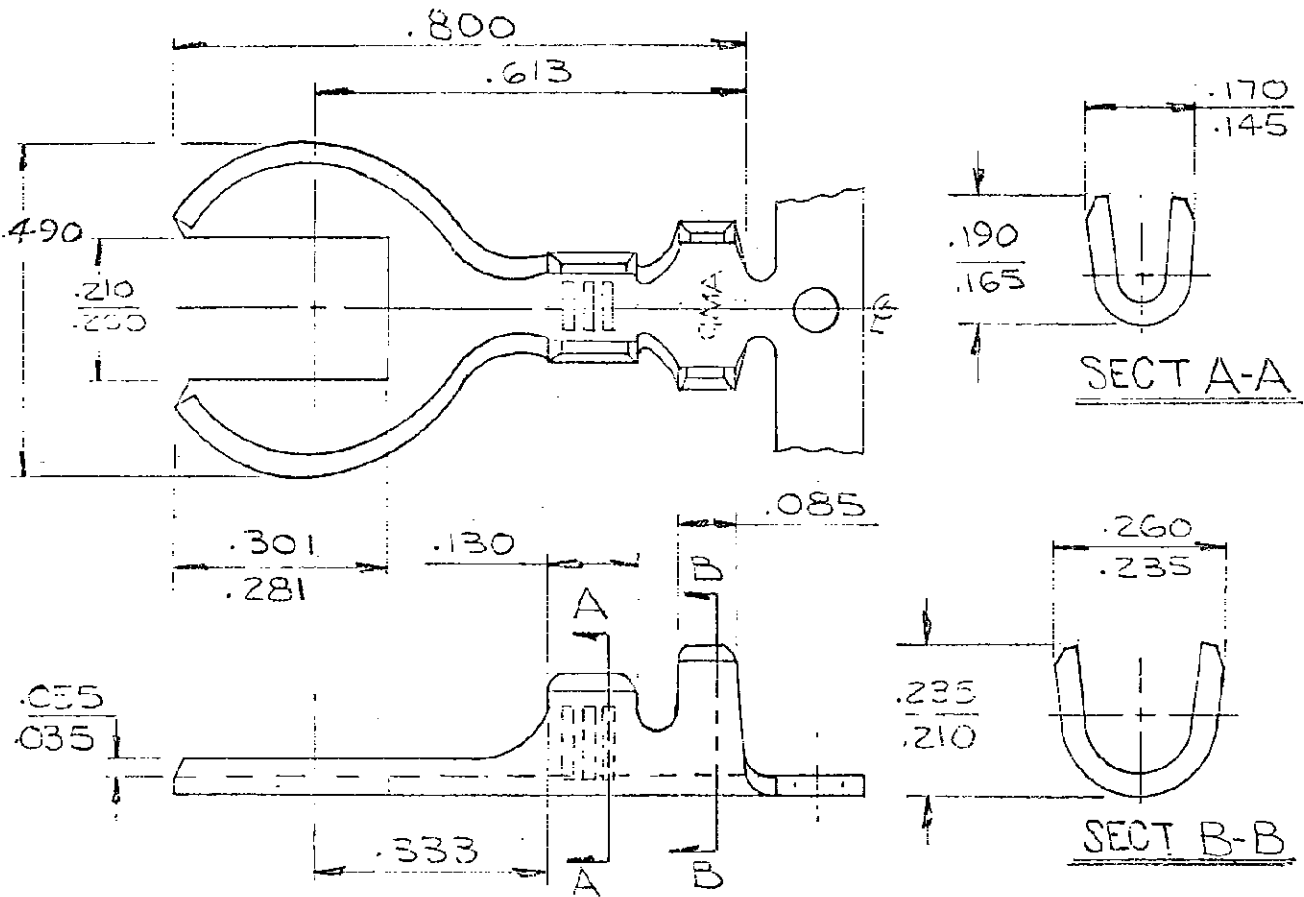


NUMBER  
 60998



1. CONTINUOUS STRIP, ON REELS

WIRE SIZE AWG	INSULATION RANGE	MATERIAL AND FINISH	TERMINAL NUMBER
18-14	.120-.180	.031 COPPER-TIN	60998-1
18-14	.120-.180	.031 COPPER-TIN	60998-2

2. 60998-2 IS REVERSE REEL OF 60998-1

DIMENSIONS IN INCHES, DO NOT SCALE PRINT

© 1966 BY AMP INCORPORATED, ALL RIGHTS RESERVED. AMP PRODUCTS COVERED BY PATENTS AND/OR PATENTS PENDING.		CUSTOMER COPY REFERENCE ONLY	
MATERIAL AND FINISH		Tyco Electronics Corporation Harrisburg, PA 17105-3608	
CLASS		CLASS	
WIRE RANGE		INSULATION TYPE	
TOLERANCE EXCEPT AS NOTED ± .015		SCALE 4-1	
NAME		60998	
SPADE			

DR	REVISED PER ECR-10-006099	HMR	PD	07JUL10
CHK	VISION RECORD	DR	CHK	DATE
DR	3-10-66	DE		
CHK	3/10/66	APP		

50