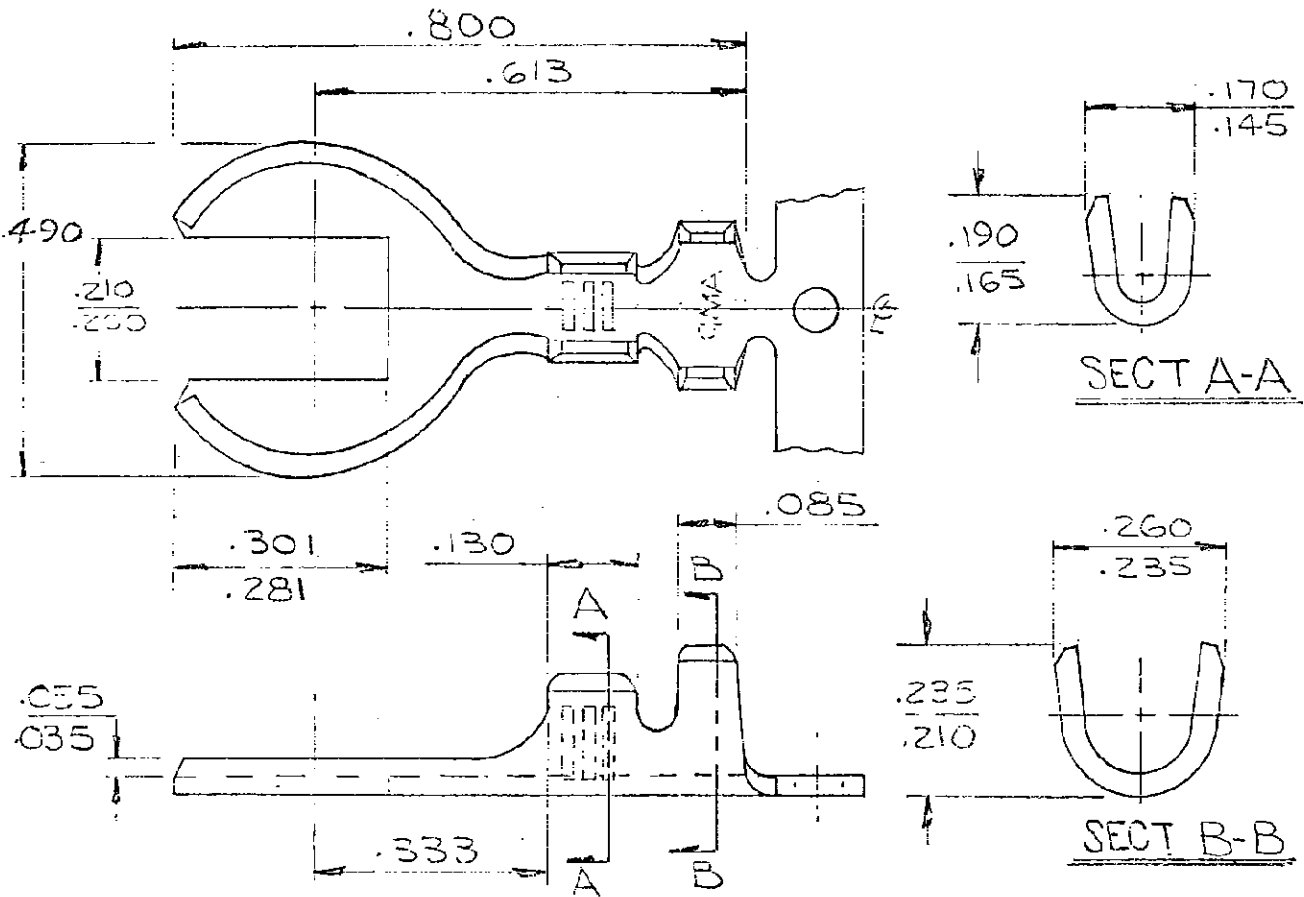


NUMBER
 60998



1. CONTINUOUS STRIP, ON REELS

WIRE SIZE AWG	INSULATION RANGE	MATERIAL AND FINISH	TERMINAL NUMBER
18-14	.120-.180	.031 COPPER-TIN	60998-1
18-14	.120-.180	.031 COPPER-TIN	60998-2

2. 60998-2 IS REVERSE REEL OF 60998-1

DIMENSIONS IN INCHES, DO NOT SCALE PRINT

© 1966 BY AMP INCORPORATED, ALL RIGHTS RESERVED. AMP PRODUCTS COVERED BY PATENTS AND/OR PATENTS PENDING.		CUSTOMER COPY REFERENCE ONLY	
MATERIAL AND FINISH		Tyco Electronics Tyco Electronics Corporation Harrisburg, PA 17105-3608	
WIRE RANGE INSULATION TYPE		CLASS	
TOLERANCE EXCEPT AS NOTED ± .015		SCALE 4-1	
NAME		60998	
SPADE			

H REVISED PER ECR-10-006099	HMR PD 07JUL10	DR CRK DATE	DE 3-10-66	APP 3/10/66
--------------------------------	----------------------	-------------------	---------------	----------------

PRINTED AT
 50