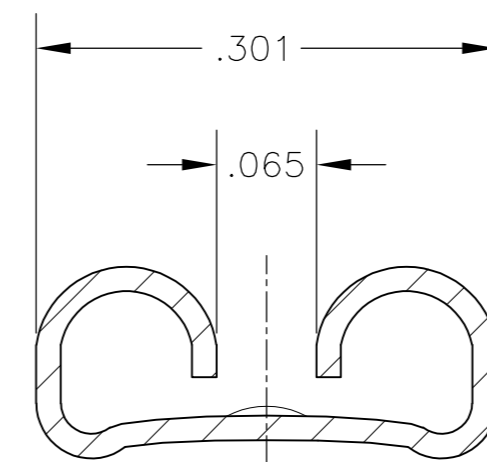
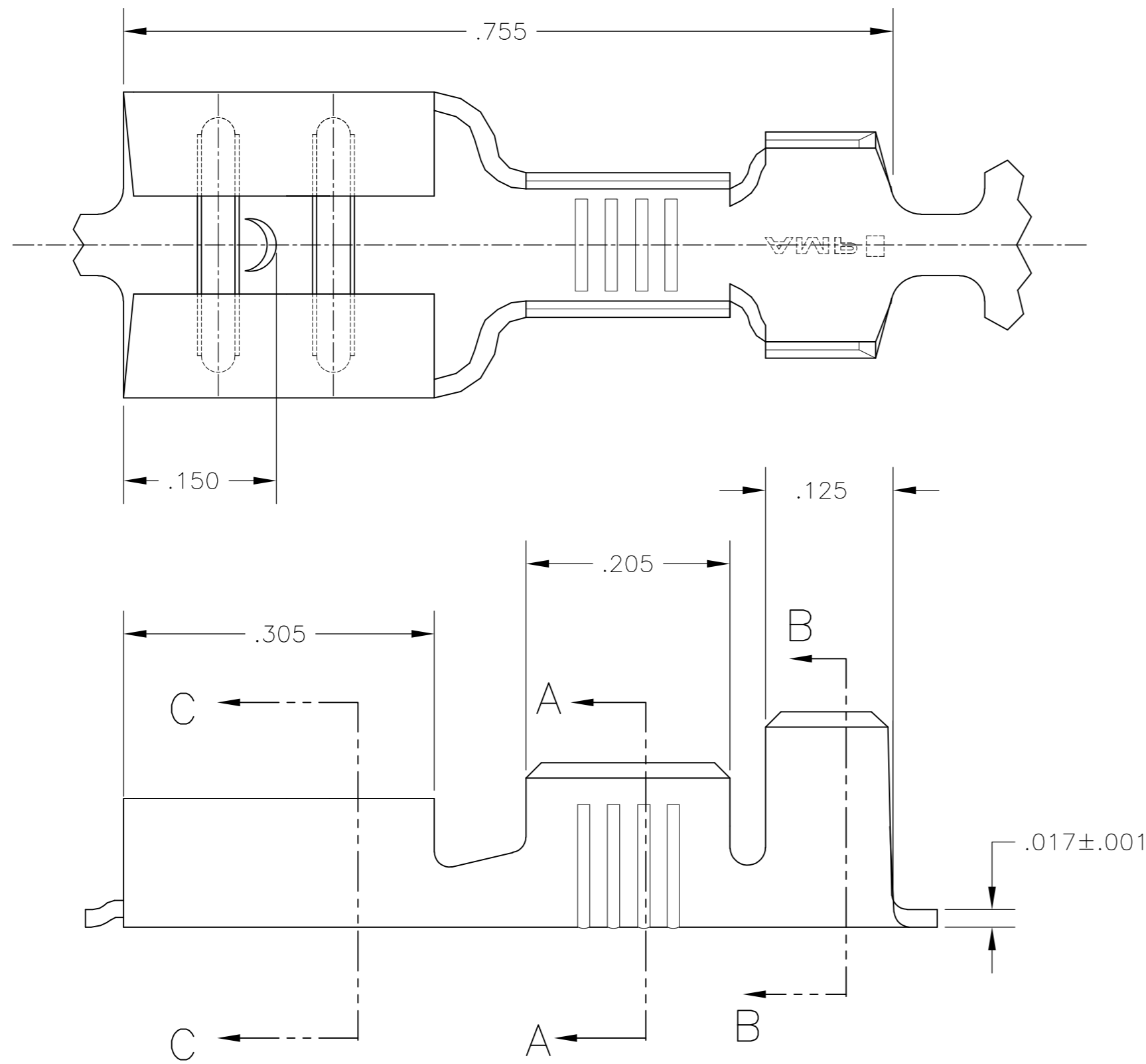


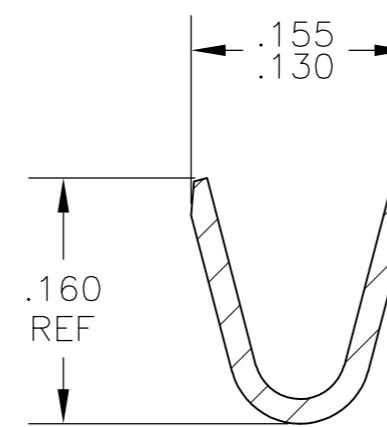
THIS DRAWING IS UNPUBLISHED. RELEASED FOR PUBLICATION
 © COPYRIGHT - By - ALL RIGHTS RESERVED.

LOC	DIST	REVISIONS			
P	LTR	DESCRIPTION	DATE	DWN	APVD
AF	50	J	REVISED PER ECR-12-013459	29NOV2012	KH PD

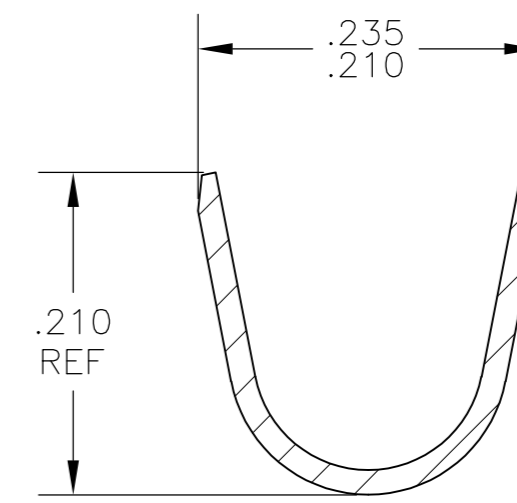
- 1 CONTINUOUS STRIP ON REELS
- 2 ACCEPTS #18-#14 AWG WIRE SIZE
CRIMP WIDTH, .120, F TYPE
- 3 INSULATION RANGE IS .120-.170 DIA
CRIMP WIDTH, .180, F OR O TYPE
- 4 MATING TAB THK IS .032±.001.



SECTION C-C



SECTION A-A



SECTION B-B

61107-1
 PART NO

THIS DRAWING IS A CONTROLLED DOCUMENT.		DWN	JR RUTH	24JUN02		TE Connectivity				
DIMENSIONS: INCHES		CHK	P DESANTIS	24JUN02		NAME				
TOLERANCES UNLESS OTHERWISE SPECIFIED:		APVD	P DESANTIS	24JUN02		RECEPTACLE, FASTON, .250 SERIES				
0 PLC ± - 1 PLC ± - 2 PLC ± - 3 PLC ± .010 4 PLC ± - ANGLES ± -		PRODUCT SPEC		APPLICATION SPEC		SIZE		CAGE CODE	DRAWING NO	RESTRICTED TO
MATERIAL: BRASS		FINISH: .000015 MIN SILVER		WEIGHT: -		A2 00779		C=61107		-
CUSTOMER DRAWING						SCALE: 8:1		SHEET: 1 of 1		REV: J