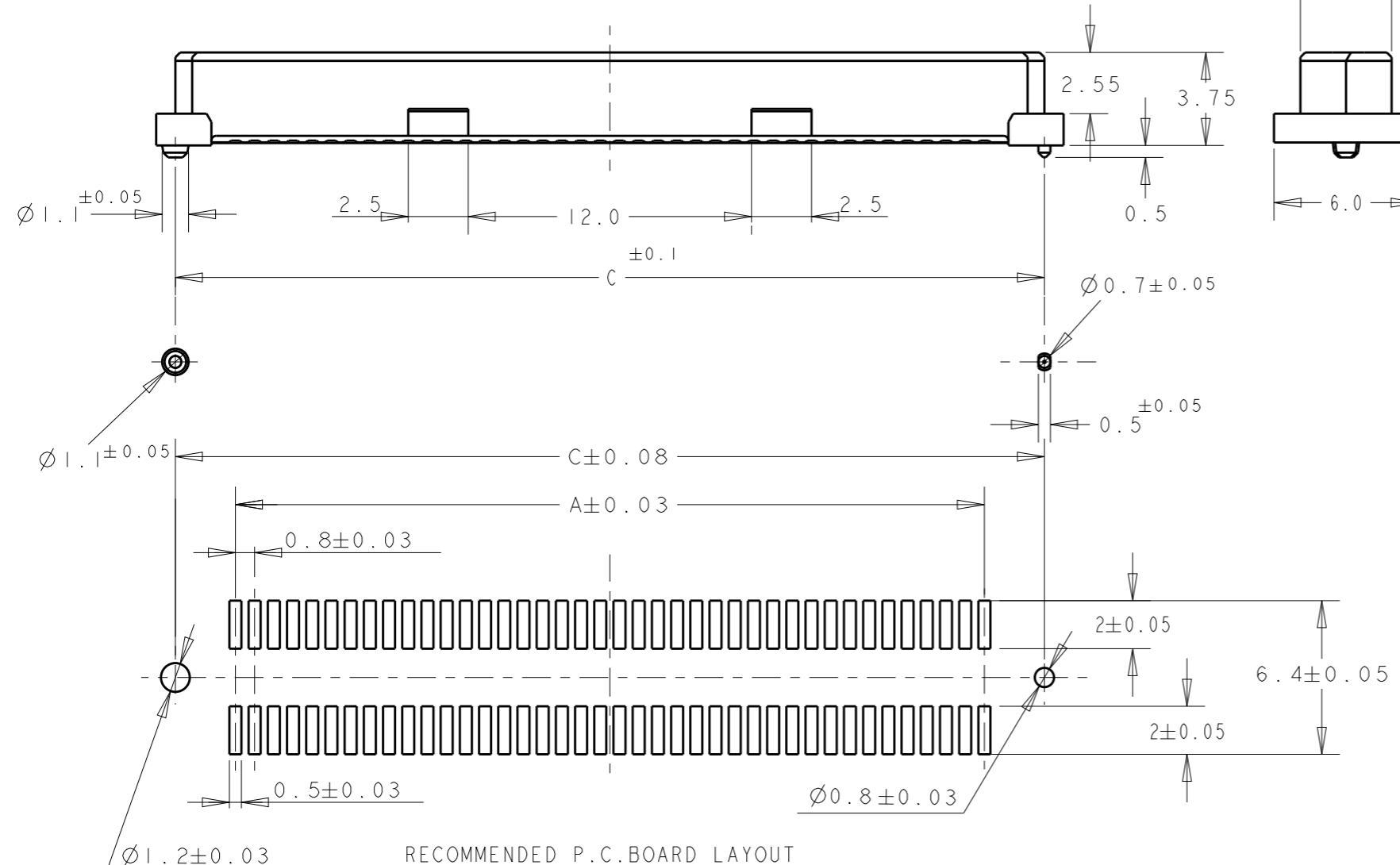
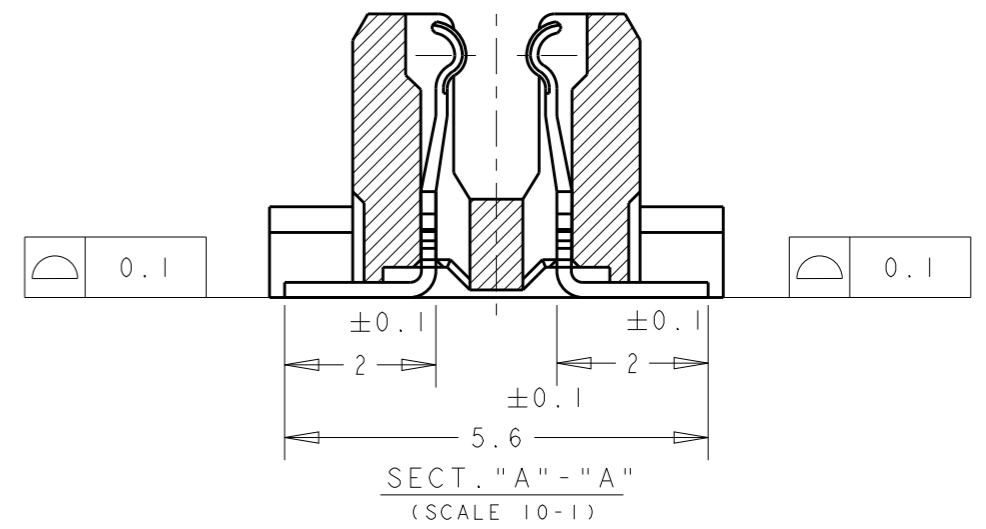
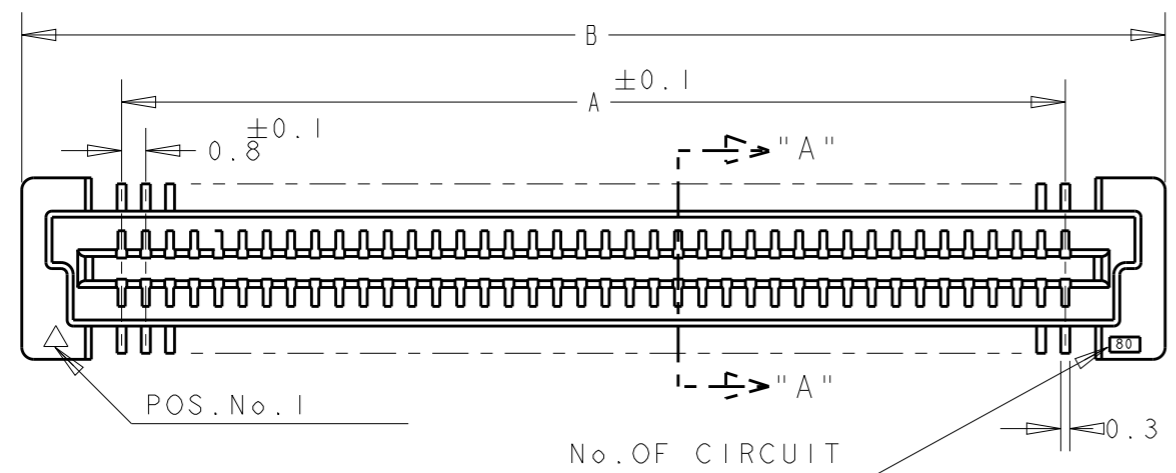


THIS DRAWING IS UNPUBLISHED. RELEASED FOR PUBLICATION 20  
 © COPYRIGHT 20 BY - ALL RIGHTS RESERVED.

LOC	DIST	REVISIONS			
P	LTR	DESCRIPTION	DATE	DWN	APVD
DY	-	B	REVISED PER ECO-17-005660	21APR17	B.J S.Y



- NOTES:
- 1 MATERIAL: HOUSING: L.C.P. (HIGH TEMP. THERMOPLASTIC)  
UL 94V-0, NATURAL.  
CONTACT: BERYLIUM COPPER.
  - 2 FINISH: CONTACT AREA: 0.00076 MIN GOLD ON  
0.0013 MIN ALL OVER NICKEL.  
SOLDERING AREA: 0.002 MIN MATTE-TIN.
  - 3. POSITION SERIES: SEE TABLE.
  - 4. CONN STACK HEIGHT COMBINE OF PLUG "Y" H VS REC "X" H.  
STACK HEIGHT = Y + X - 5

RECOMMENDED P.C. BOARD LAYOUT

LOW HALOGEN

P/N SEE SHEET 2 OF 2

THIS DRAWING IS A CONTROLLED DOCUMENT.		DWN FLORENCE TAN 16SEP04	TE Connectivity	
DIMENSIONS: mm		CHK ERIC TNG 20MAR2013		
TOLERANCES UNLESS OTHERWISE SPECIFIED:		APVD SEIFONG 20MAR2013	NAME REC ASSY FOR FH 0.8BTB CONNECTOR 5H 0.5 BOSS LENGTH (0.76um GOLD)	
0 PLC ±-		PRODUCT SPEC 108-5390	SIZE A3	
1 PLC ±0.30		APPLICATION SPEC 114-5254	CAGE CODE 00779	DRAWING NO G-6123000
2 PLC ±0.25		WEIGHT -	RESTRICTED TO -	
3 PLC ±0.20		CUSTOMER DRAWING	SCALE 4:1	SHEET 1 OF 2
4 PLC ±-			REV B	
ANGLES ±3°				
FINISH -				

THIS DRAWING IS UNPUBLISHED.

RELEASED FOR PUBLICATION

20

LOC

DIST

REVISIONS

© COPYRIGHT 20 BY -

ALL RIGHTS RESERVED.

DY

-

P

LTR

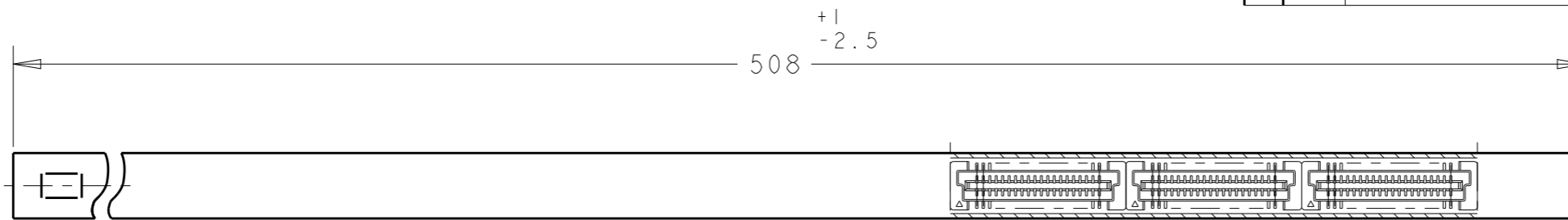
DESCRIPTION

DATE

DWN

APVD

SEE SHEET 1

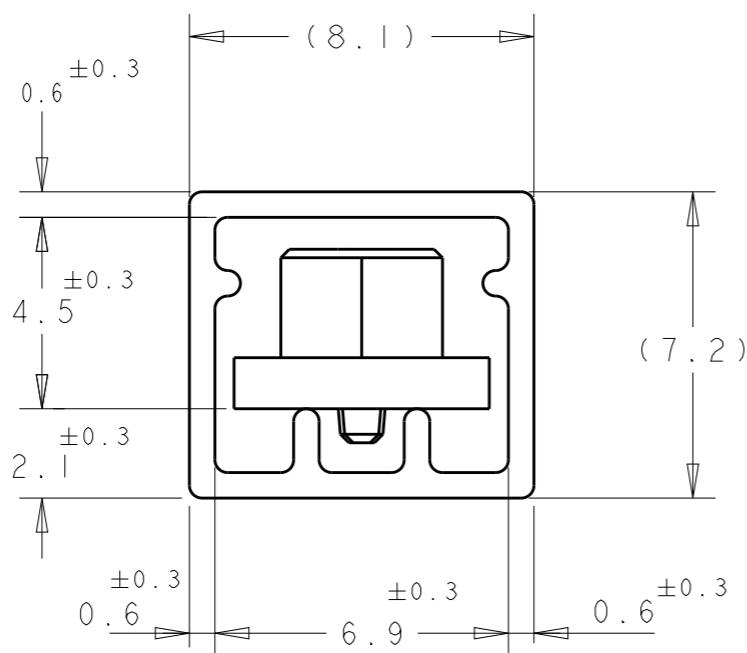
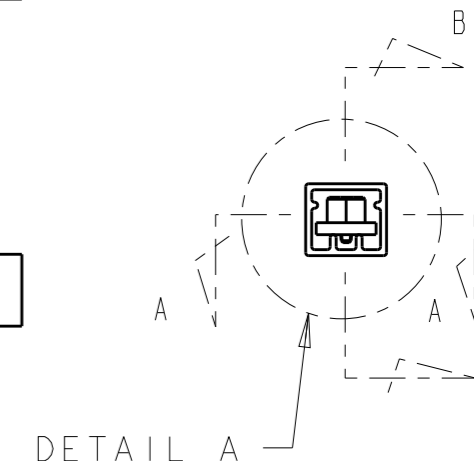


SECT A-A



REFERENCE PICTURE OF TUBE PACK

SECT B-B



DETAIL A



AVAILABLE	16	28.2	29.8	23.2	60	2-	-2
	5	84.2	85.8	79.2	200	1-	-0
	6	76.2	77.8	71.2	180		-9
	6	68.2	69.8	63.2	160		-8
	7	60.2	61.8	55.2	140		-6
	9	52.2	53.8	47.2	120		-5
	10	44.2	45.8	39.2	100		-4
	12	36.2	37.8	31.2	80		-3
	16	28.2	29.8	23.2	60		-2
22	20.2	21.8	15.2	40		6123000-1	
STATUS	QTY	C	B	A	POS.	CONN P/N	

NOTES;



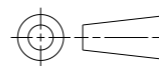
CONNECTOR WITH BLACK HOUSING

LOW HALOGEN

THIS DRAWING IS A CONTROLLED DOCUMENT.

DIMENSIONS:

mm



TOLERANCES UNLESS OTHERWISE SPECIFIED:

- 0 PLC ±-
- 1 PLC ±0.30
- 2 PLC ±0.25
- 3 PLC ±0.20
- 4 PLC ±-
- ANGLES ±3°

MATERIAL

FINISH

DWN 16SEP04

FLORENCE TAN

CHK 20MAR2013

ERIC TNG

APVD 20MAR2013

SEIFONG

PRODUCT SPEC

108-5390

APPLICATION SPEC

114-5254

WEIGHT

-

CUSTOMER DRAWING



TE Connectivity

NAME  
REC ASSY  
FOR FH 0.8BTB CONNECTOR 5H  
0.5 BOSS LENGTH (0.76um GOLD)

SIZE CAGE CODE DRAWING NO RESTRICTED TO  
A3 00779 C=6123000 -

SCALE 4:1 SHEET 2 OF 2 REV B