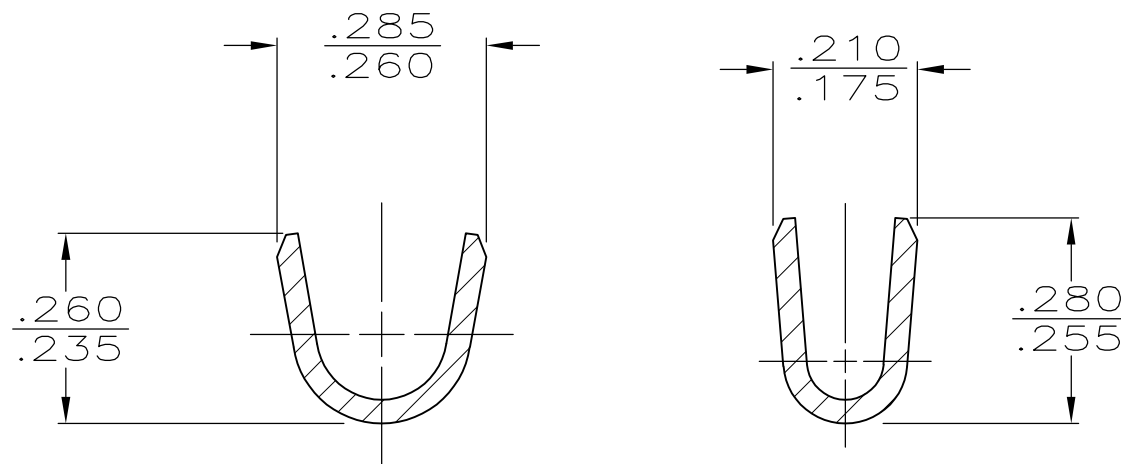
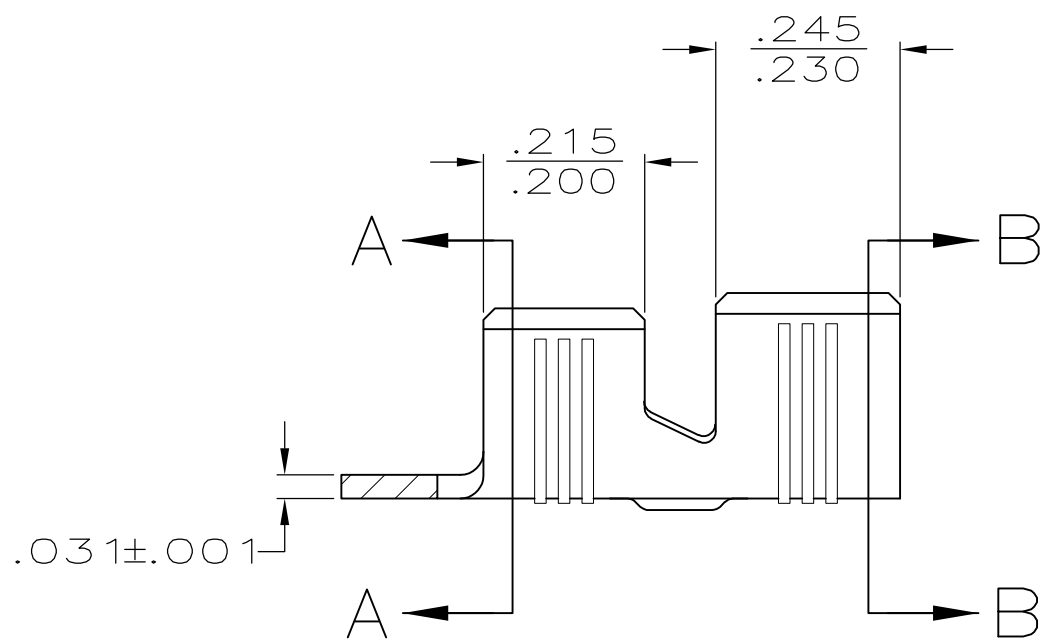
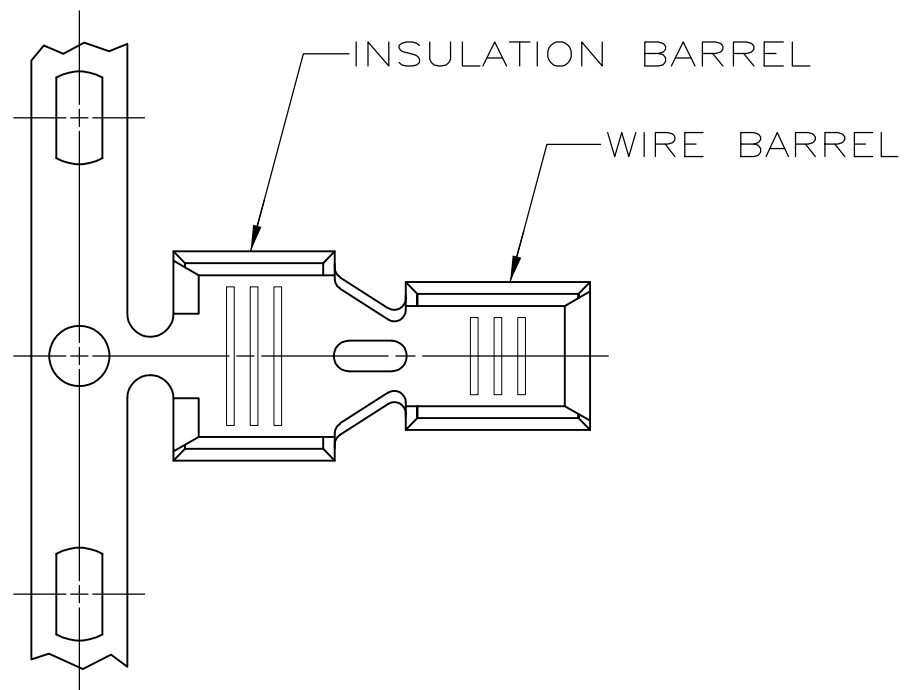


THIS DRAWING IS UNPUBLISHED. RELEASED FOR PUBLICATION
 © COPYRIGHT BY TYCO ELECTRONICS CORPORATION. ALL INTERNATIONAL RIGHTS RESERVED.

LOC	DIST	REVISIONS			
P	LTR	DESCRIPTION	DATE	DWN	APVD
AF	50	L	REVISED PER ECR-08-030838	30MAR09	HMR GP

1 PRODUCT PROVIDED IN STRIP FORM ON REELS, BREAKS MAY BE PRESENT.



SECTION A-A SECTION B-B

61300-1
PART NO

THIS DRAWING IS A CONTROLLED DOCUMENT.		DWN M S FEHER 9/8/88	Tyco Electronics Corporation Harrisburg, PA 17105-3608				
DIMENSIONS: INCHES		CHK J R RUTH 9/12/88					
TOLERANCES UNLESS OTHERWISE SPECIFIED:		APVD J R RUTH 9/12/88	NAME SPLICE WITH INSULATION SUPPORT				
		PRODUCT SPEC -	APPLICATION SPEC -				
MATERIAL STEEL		FINISH TIN	WEIGHT -	SIZE A3	CAGE CODE 00779	DRAWING NO G-61300	RESTRICTED TO -
CUSTOMER DRAWING			SCALE 4:1	SHEET 1 OF 1	REV L		