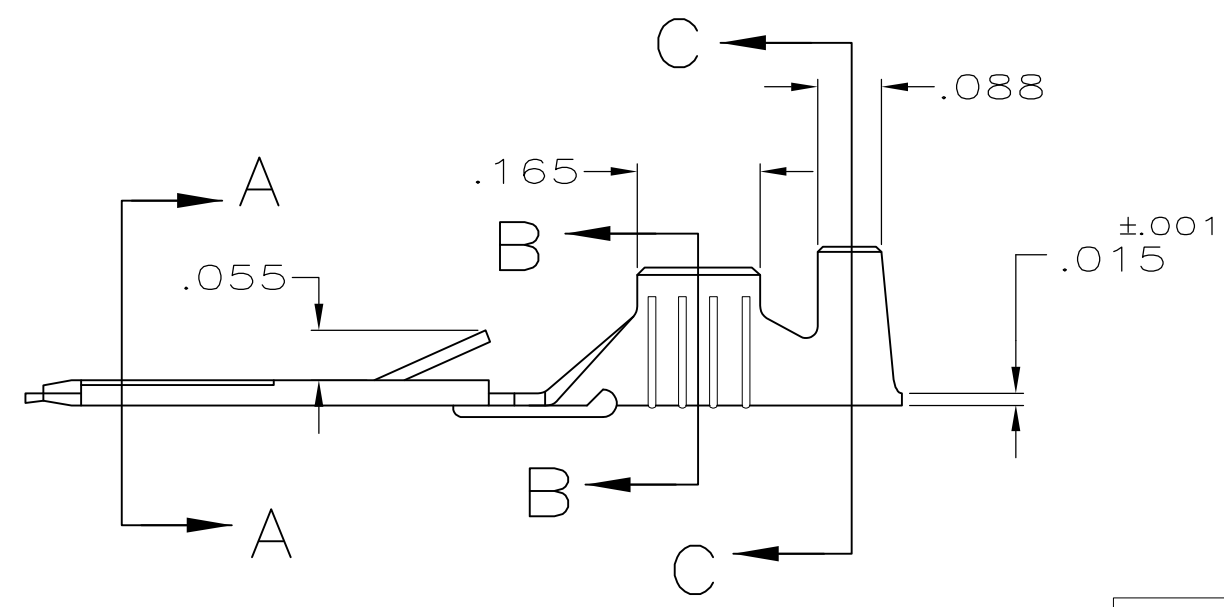
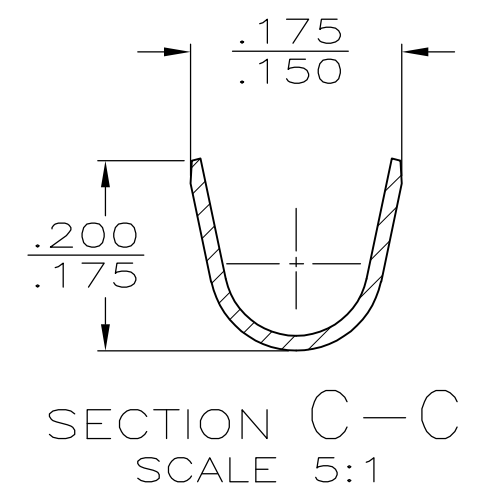
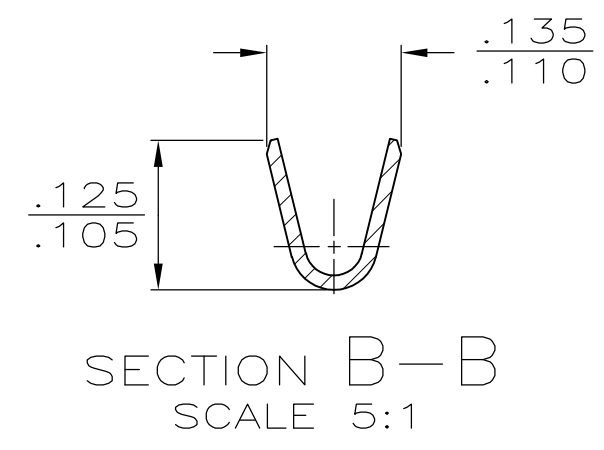
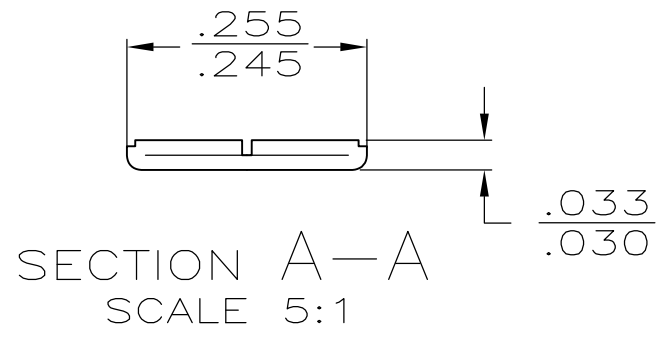
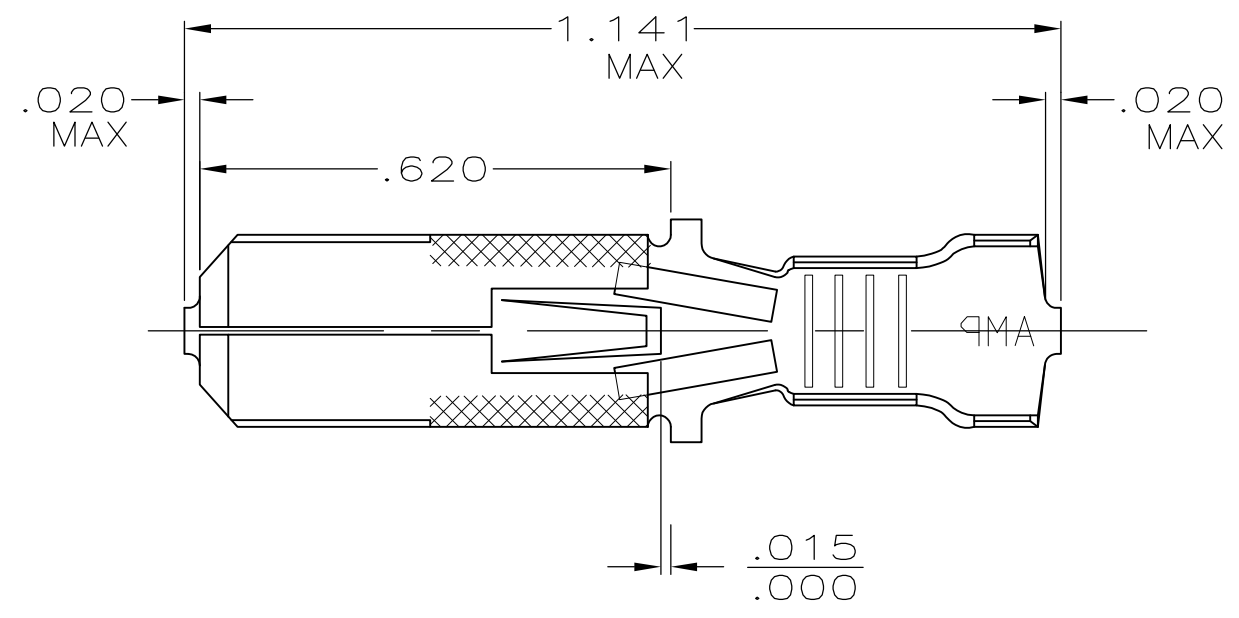


THIS DRAWING IS UNPUBLISHED. RELEASED FOR PUBLICATION
 © COPYRIGHT - By - ALL RIGHTS RESERVED.

| LOC | DIST | REVISIONS | | | |
|-----|------|-------------|---------------------------|---------|-------|
| P | LTR | DESCRIPTION | DATE | DWN | APVD |
| AF | 50 | E | REVISED PER ECR-11-018063 | 22DEC11 | KH PD |

1 SUPPLIED IN LOOSE PIECE



| | | | |
|------------|------------------|-------------|----------|
| 60294-2 | .085-.125 DIA | #22-#18 AWG | 61316-1 |
| STRIP FORM | INSULATION RANGE | WIRE SIZE | PART NO. |

| | | | | | | | | | | | | | |
|--|-----------|--------------|-------------|--------|---|-------|-----|-----------|--------|------------|---------|---------------|---|
| THIS DRAWING IS A CONTROLLED DOCUMENT. | | DWN | JR RUTH | 3/2/93 | TE Connectivity TAB, FASTIN-FASTON, .250 SERIES | | | | | | | | |
| DIMENSIONS: INCHES | | CHK | MS FEHER | 3/2/93 | | | | | | | | | |
| | | APVD | J GILLESPIE | 3/2/93 | | | | | | | | | |
| TOLERANCES UNLESS OTHERWISE SPECIFIED: 0 PLC ± - 1 PLC ± - 2 PLC ± - 3 PLC ± .015 4 PLC ± - ANGLES ± - | | PRODUCT SPEC | - | NAME | | | | | | | | | |
| MATERIAL | 082 BRASS | FINISH | TIN | WEIGHT | - | SIZE | A3 | CAGE CODE | 00779 | DRAWING NO | C-61316 | RESTRICTED TO | - |
| CUSTOMER DRAWING | | | | | | SCALE | 4:1 | SHEET | 1 OF 1 | REV | E | | |