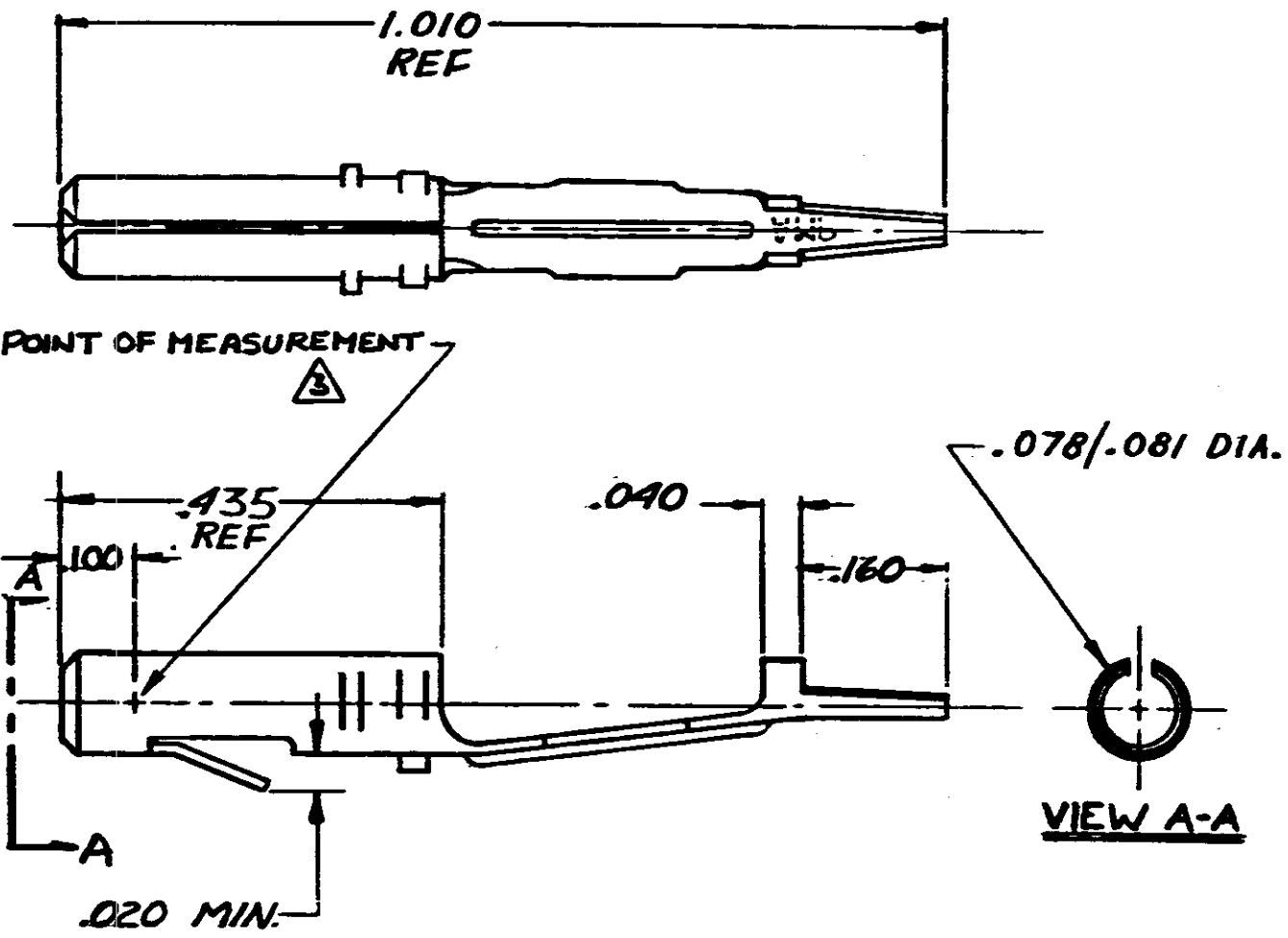


SHEET 1 OF 2  
 NUMBER 61320



1. TERMINAL SUPPLIED IN INDIVIDUAL FORM, NOT AS CONTINUOUS STRIP.
2. PARTS COMPLY WITH AMP SOLDERABILITY SPEC. NO. 109-11-3
- $\triangle B$  .000030 GOLD OVER .000050 NICKEL.

$\triangle 4$  OBSOLETE PARTS: OBSOLETE CIS STREAMLINING PER D.RENAUD/D.SINISI

BRIGHT TIN		61320-4
GOLD $\triangle B$	.012 PH. BRZ	61320-2 $\triangle 4$
PRE-TIN		61320-1
FINISH	MATERIAL	PART NO

© 1967 BY AMP INCORPORATED. ALL RIGHTS RESERVED. AMP PRODUCTS COVERED BY PATENTS AND/OR PATENTS PENDING

CUSTOMER COPY REFERENCE ONLY

MATERIAL AND FINISH		AMP INCORPORATED HARRISBURG, PENNA.
SEE TABLE		
CLASS	K	

WIRE - RANGE - INSULATION	TYPE	K	
TOLERANCE EXCEPT AS NOTED $\pm .015$	SCALE $\pm 1" = 5 \times 1$	LOC. CM, A	NO SHEET OF 2
NAME		61320	
MATE-N-LOK SOCKET WITH P.C. BOARD TAB			

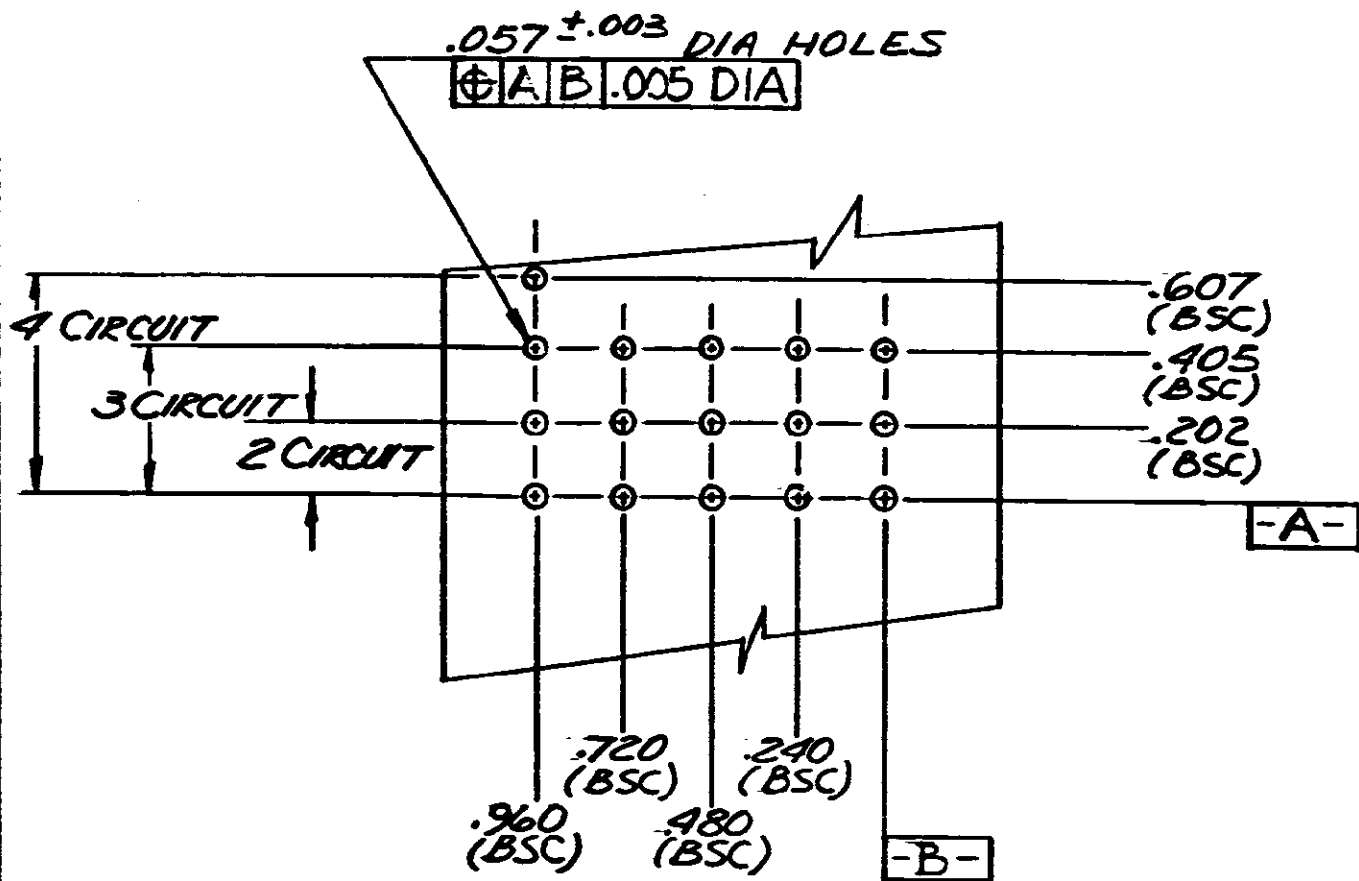
U2	REV PER ECO-10-000445	KK	HMR	JAN 2010
U1	RESTORED	BD	RS	1/15/85
U	REV PER AG-118			1/15/83
T	REV PER AG-25			1/15/83
S	ECN M-7426			1/15/83
R	SMT1 REV. & REDOWN	M-7310		1/15/83
-TR	REVIS. C. RECORD	DN	CHK	DATE
DR	4-15-83	DS		1/21
D. B. SATZEL		H. E. TRAVIS		

DIMENSIONS IN INCHES. DO NOT SCALE PRINT.

1/6

PRINTED AT 53

SHEET 2 OF 2  
NUMBER 61320



1. FOR 3, 4, 6, 9, 12, AND 15 CIRCUIT PANEL MOUNT HOUSINGS ONLY.

DIMENSIONS IN INCHES. DO NOT SCALE PRINT.

©1968 BY AMP INCORPORATED. ALL RIGHTS RESERVED. AMP PRODUCTS COVERED BY PATENTS AND/OR PATENTS PENDING

CUSTOMER COPY REFERENCE ONLY

MATERIAL AND FINISH



AMP INCORPORATED  
HARRISBURG, PENNSA

CLASS

WIRE — RANGE — INSULATION

TYPE

LTR REVISION RECORD ECN DR DATE

TOLERANCE EXCEPT AS NOTED  
= .015 = 1" 0'

SCALE  
2-1

LOC  
CM

NO

SHEET 2 OF 2  
61320

REV  
U2

DR JIM KUNKLE  
6-2-70

NAME RECOMMENDED HOLE LOCATIONS FOR MOUNTING MATE-N-LOK HOUSINGS