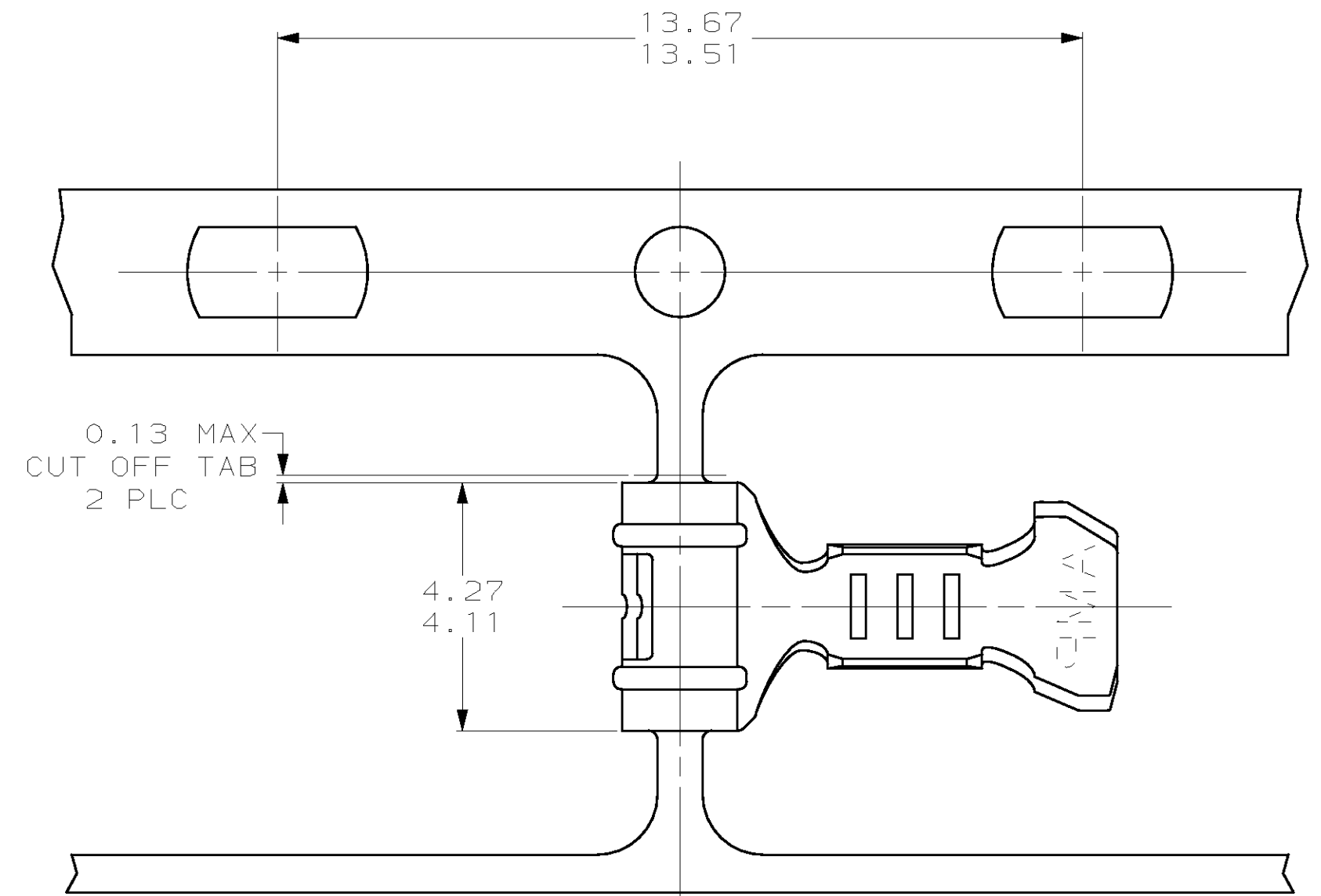
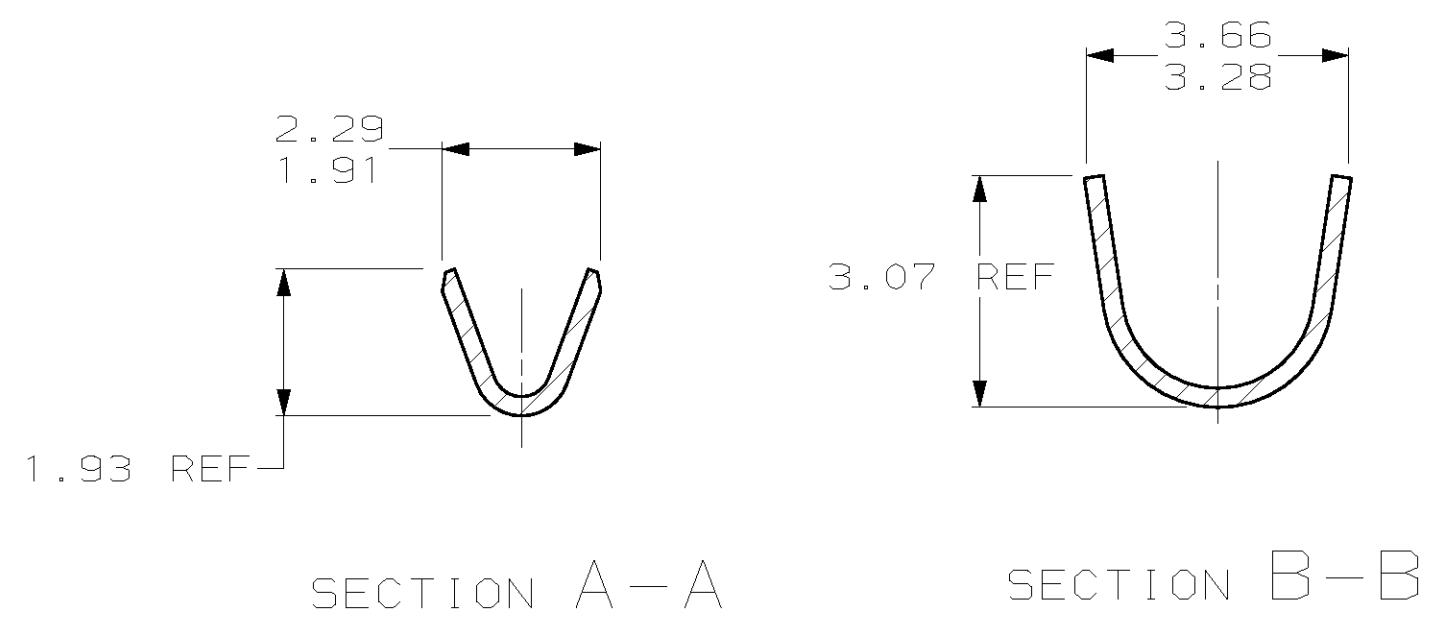
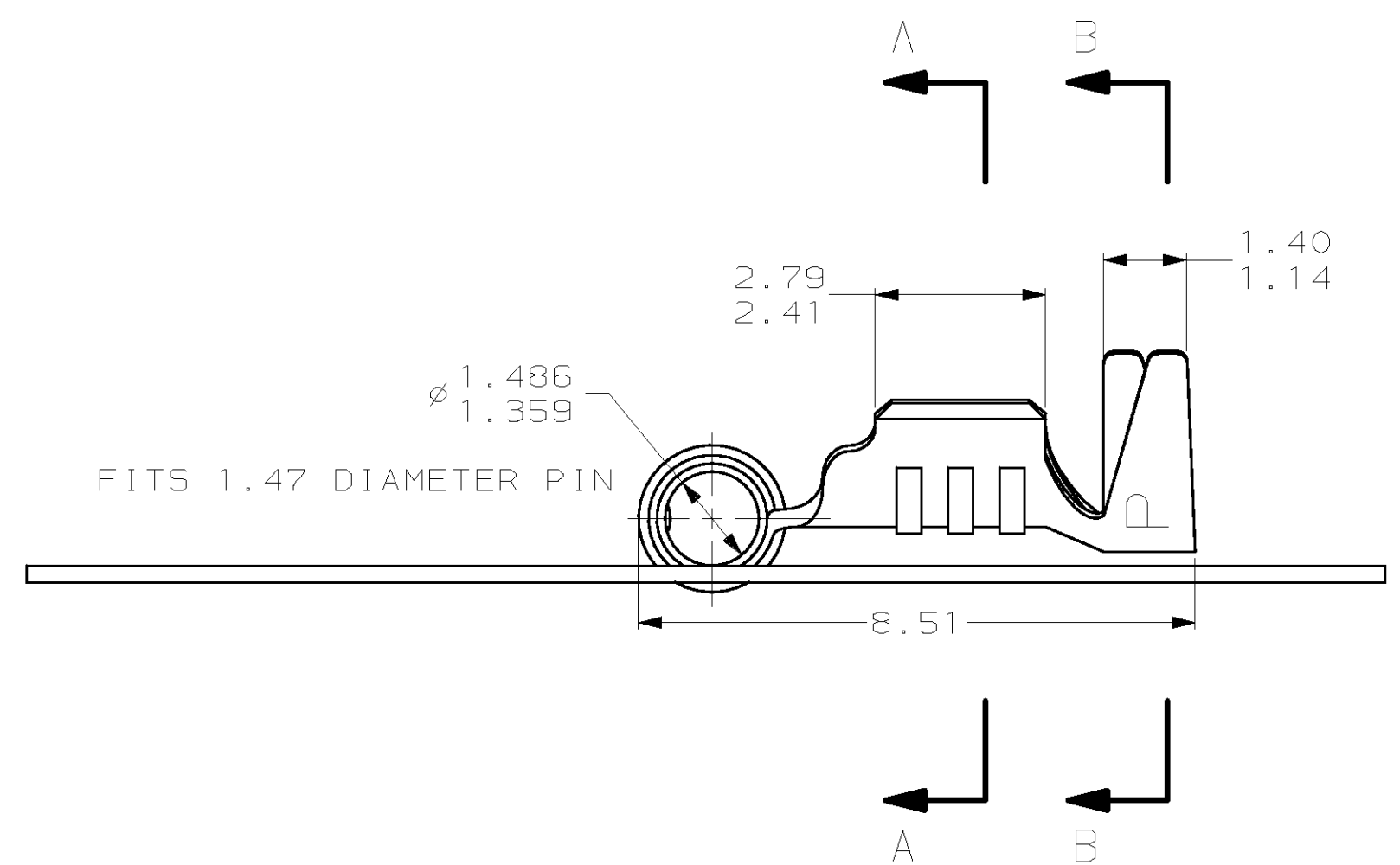


THIS DRAWING IS UNPUBLISHED. RELEASED FOR PUBLICATION
 (C) COPYRIGHT 19 BY AMP INCORPORATED. ALL RIGHTS RESERVED.

LOC	DIST	REVISIONS			
P	LTR	DESCRIPTION	DATE	DWN	APVD
CM	52	F	REV & REDWN PER EC 0L30-0125-97	6-2-97	TB RS



1. WIRE RANGE: 0.2 - 0.6 MM² (24 - 20 AWG)
2. INSULATION RANGE: 1.02 - 2.54



MATTE TIN FINISH	0.25 BE COPPER MATERIAL	61323-2 PART NUMBER
------------------	-------------------------	---------------------

1.40	.055	2.41	.095	4.11	.162	-	-
1.359	.0535	2.29	.090	3.66	.144	-	-
1.14	.045	1.93	.076	3.28	.129	13.67	.538
1.02	.040	1.91	.075	3.07	.121	13.51	.532
0.25	.010	1.486	.0585	2.79	.110	8.51	.335
0.13	.005	1.47	.058	2.54	.100	4.27	.168
MM	IN	MM	IN	MM	IN	MM	IN

CONVERSION TABLE

METRIC

THIS DRAWING IS A CONTROLLED DOCUMENT.

DIMENSIONS: mm	TOLERANCES UNLESS OTHERWISE SPECIFIED:	DWN T. BECK 5-22-97	AMP Incorporated Harrisburg, PA 17105-3608		
	0 PLC ±-	CHK R. SWING 5-22-97			
	1 PLC ±-	APVD A. BEDDICK 6-17-97			
	2 PLC ±0.13	NAME RECEPTACLE, .058 DIAMETER, 24-20 AWG, .040-.100 INSULATION, RIGHT ANGLE, P.C. CONTACT			
3 PLC ±-	PRODUCT SPEC -	SIZE A2	CAGE CODE 00779	DRAWING NO. 61323	RESTRICTED TO -
4 PLC ±-	FINISH SEE TABLE	WEIGHT -	SCALE 10:1	SHEET 1 OF 1	REV F

CUSTOMER DRAWING

61323