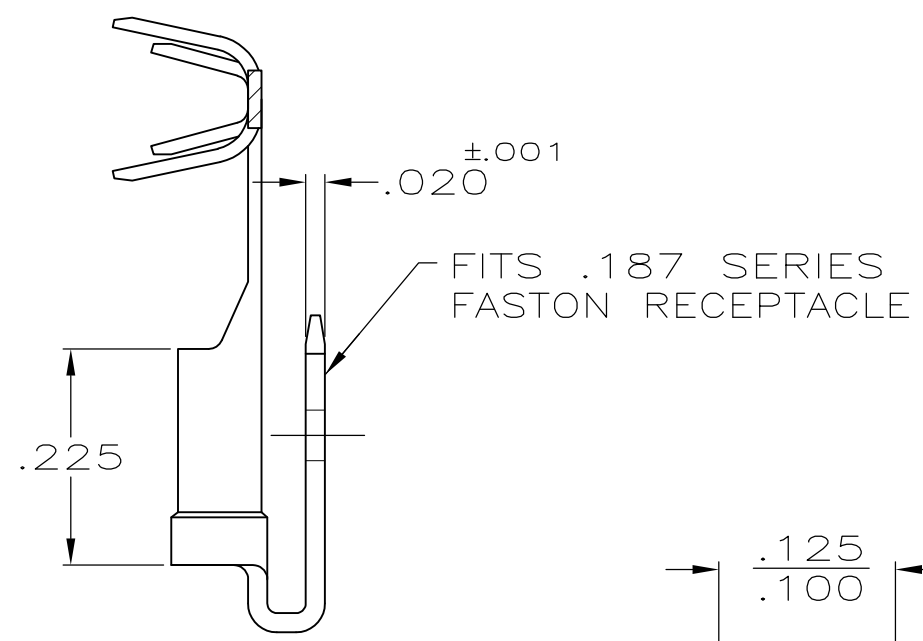
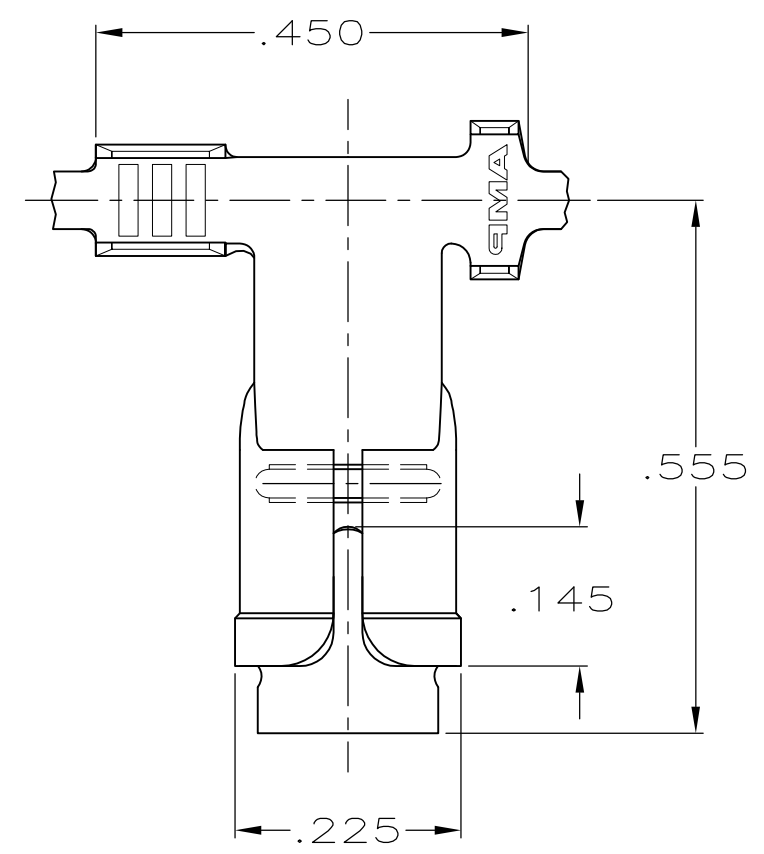
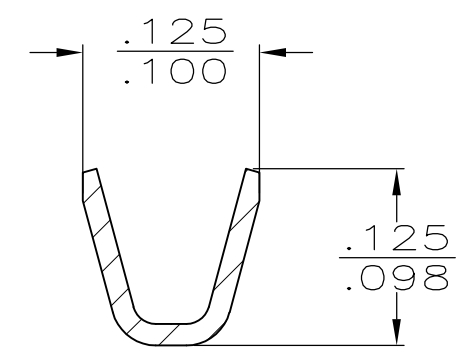


THIS DRAWING IS UNPUBLISHED. RELEASED FOR PUBLICATION
 © COPYRIGHT - By - ALL RIGHTS RESERVED.

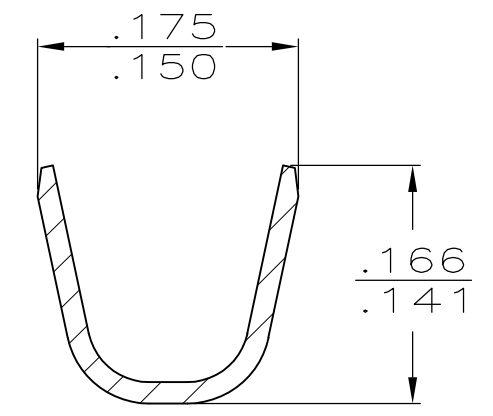
LOC	DIST	REVISIONS			
P	LTR	DESCRIPTION	DATE	DWN	APVD
AF	50	L	REVISED PER ECR-12-013459	29NOV2012	KH PD



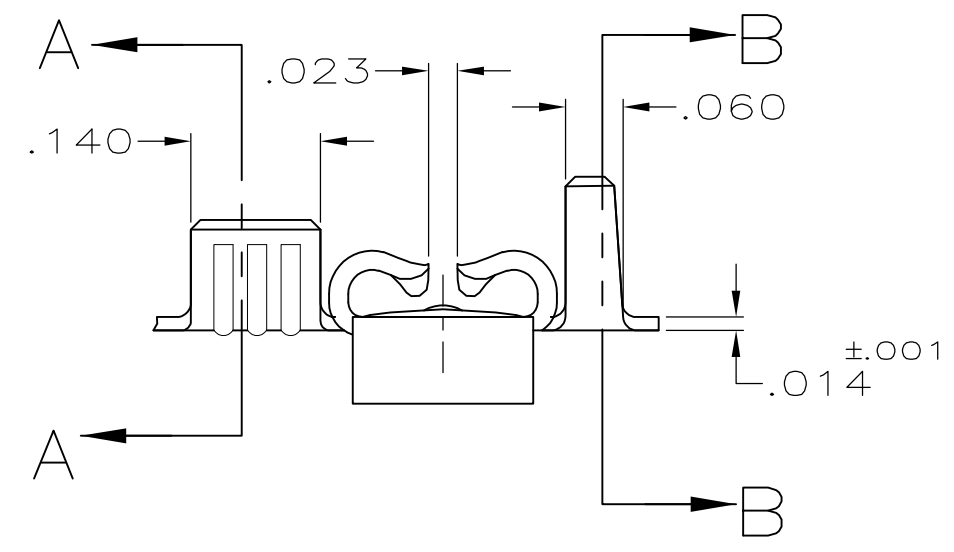
- 1 REVERSE REELED.
- 2 CONTINUOUS STRIP ON REELS



SECTION A-A
SCALE 10:1



SECTION B-B
SCALE 10:1



.090-.130	20-16	-	.020	△-61350-4
		-TIN .000080 MIN-		△-61350-3
		-TIN .000080 MIN-		-61350-2
		-		61350-1
INSULATION RANGE	WIRE SIZE	FINISH	MATING TAB THK ±.001	PART NO

THIS DRAWING IS A CONTROLLED DOCUMENT.		DWN JR RUTH 10/18/90	TE Connectivity		
DIMENSIONS: INCHES		CHK MS FEHER 10/18/90			
TOLERANCES UNLESS OTHERWISE SPECIFIED:		APVD C MEYERS 10/18/90	RECEPTACLE, FASTON, FLAG, PIGGYBACK, .187 SERIES		
0 PLC ± - 1 PLC ± - 2 PLC ± - 3 PLC ± .015 4 PLC ± - ANGLES ± -		PRODUCT SPEC	RESTRICTED TO		
MATERIAL: BRASS		FINISH: SEE TABLE	APPLICATION SPEC	SIZE: A3	CAGE CODE: 00779
			WEIGHT: -	DRAWING NO: C-61350	RESTRICTED TO: -
CUSTOMER DRAWING			SCALE: 5:1	SHEET: 1 OF 1	REV: L