

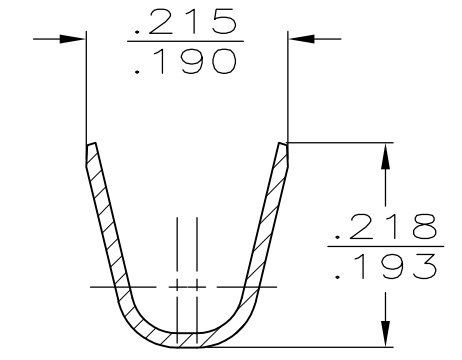
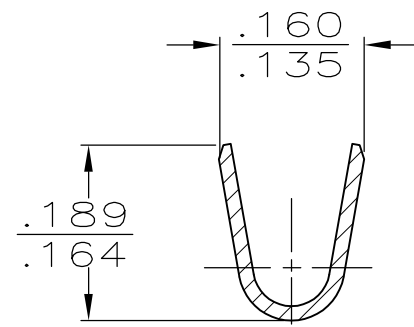
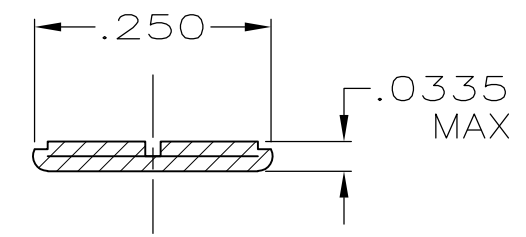
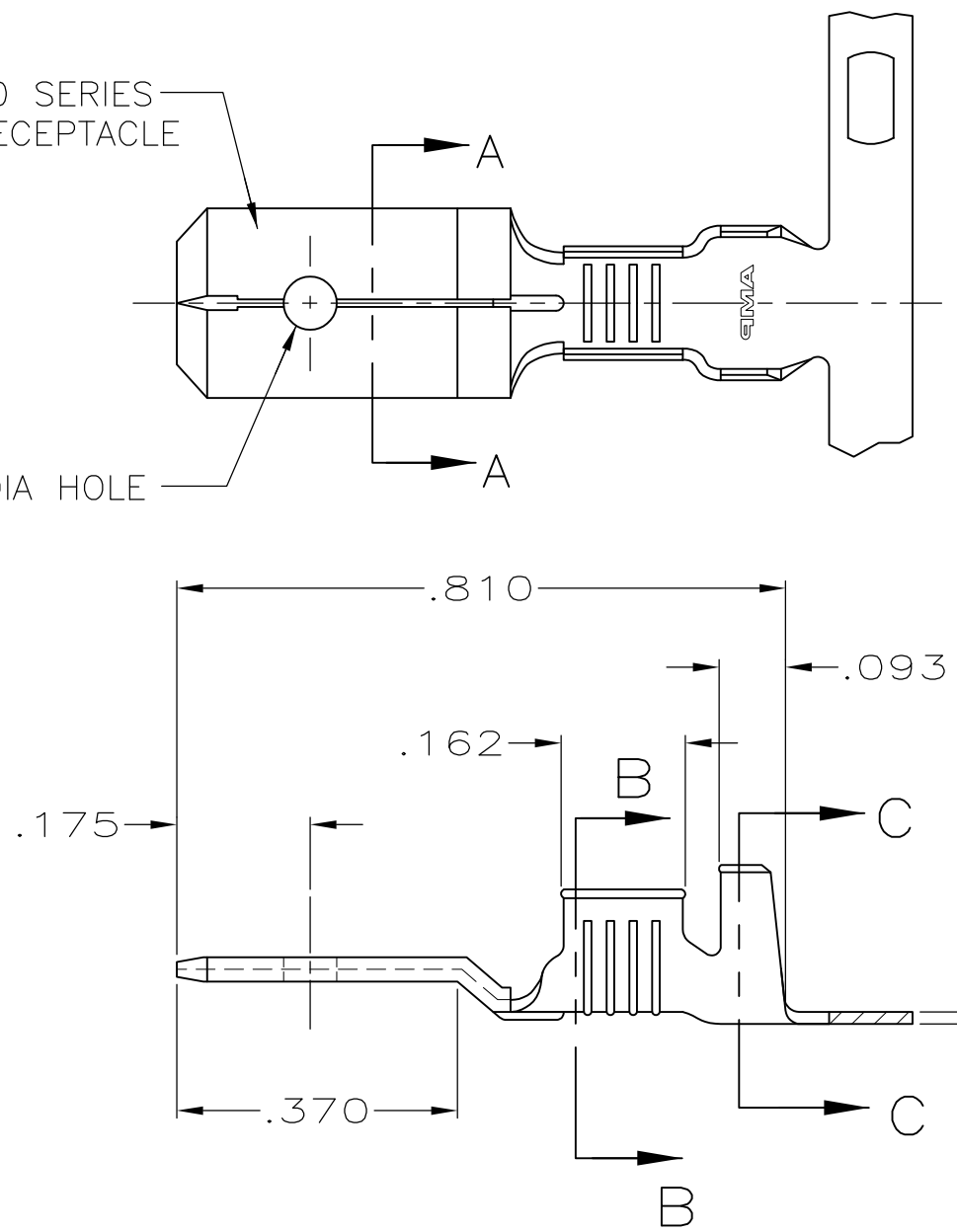
THIS DRAWING IS UNPUBLISHED. RELEASED FOR PUBLICATION
 © COPYRIGHT - By - ALL RIGHTS RESERVED.

LOC	DIST	REVISIONS			
P	LTR	DESCRIPTION	DATE	DWN	APVD
AF	50	G	REVISED PER ECR-13-011489	06DEC2013	KH PD

1 CONTINUOUS STRIP ON REELS.

FITS .250 SERIES FASTON RECEPTACLE

.075
.060 DIA HOLE



OBSOLETE	TIN .000080 MIN	.110-.170 DIA	14-12 AWG	61362-3
	SILVER .000150 MIN			61362-2
OBSOLETE				61362-1
	FINISH	INSULATION RANGE	WIRE SIZE	PART NO

THIS DRAWING IS A CONTROLLED DOCUMENT.		DWN	JR RUTH	1/31/91	TE Connectivity NAME TAB, FASTON™ .250 SERIES								
DIMENSIONS: INCHES		CHK	MS FEHER	1/31/91									
TOLERANCES UNLESS OTHERWISE SPECIFIED:		APVD	C MEYERS	1/31/91									
0 PLC ± - 1 PLC ± - 2 PLC ± - 3 PLC ± .015 4 PLC ± - ANGLES ± -		PRODUCT SPEC											
MATERIAL	BRASS	FINISH	SEE TABLE	WEIGHT	-	SIZE	A3	CAGE CODE	00779	DRAWING NO	C-61362	RESTRICTED TO	-
CUSTOMER DRAWING						SCALE	4:1	SHEET	1 OF 1	REV	G		