

4

3

2

1

THIS DRAWING IS UNPUBLISHED.

RELEASED FOR PUBLICATION

---

REVISIONS

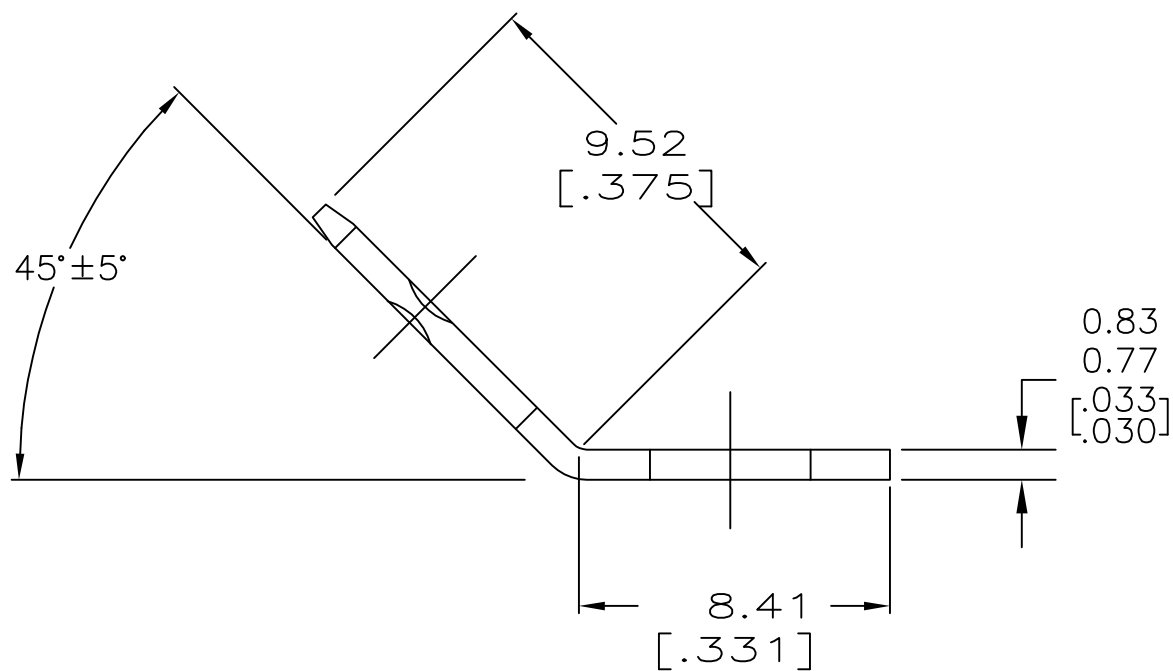
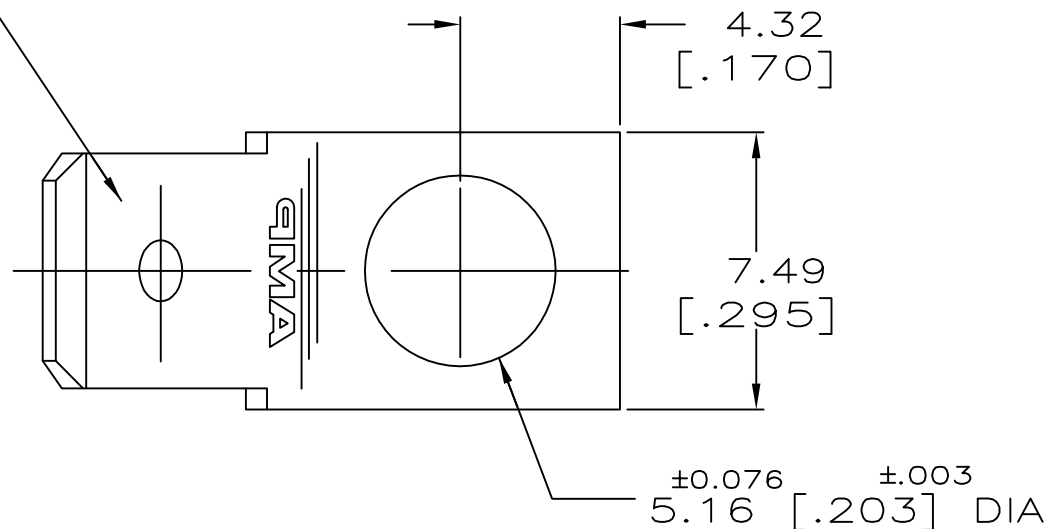
© COPYRIGHT - By -

ALL RIGHTS RESERVED.

P	LTR	DESCRIPTION	DATE	DWN	APVD
	D2	REVISED PER ECR-17-010001	14JUL2017	BW	DH

1. SUPPLIED IN LOOSE PIECE.

FITS 6.35 [.250] SERIES FASTON RECEPTACLE



61365-1  
PART NO

THIS DRAWING IS A CONTROLLED DOCUMENT.		DWN JR RUTH 11/12/91	<b>STE</b> TE Connectivity		
DIMENSIONS: mm[INCHES]		CHK MS FEHER 11/12/91			
TOLERANCES UNLESS OTHERWISE SPECIFIED:		APVD C MEYERS 11/12/91	NAME TAB, FASTON,™ 6.35 [.250] SERIES		
0 PLC ± -		PRODUCT SPEC	RESTRICTED TO		
1 PLC ± -		APPLICATION SPEC	-		
2 PLC ± 0.25 [.010]		WEIGHT	SIZE A3	CAGE CODE 00779	DRAWING NO C=61365
3 PLC ± -		CUSTOMER DRAWING	SCALE 5:1	SHEET 1 OF 1	REV D2
4 PLC ± -		MATERIAL 082 BRASS			
ANGLES ± -		FINISH TIN			