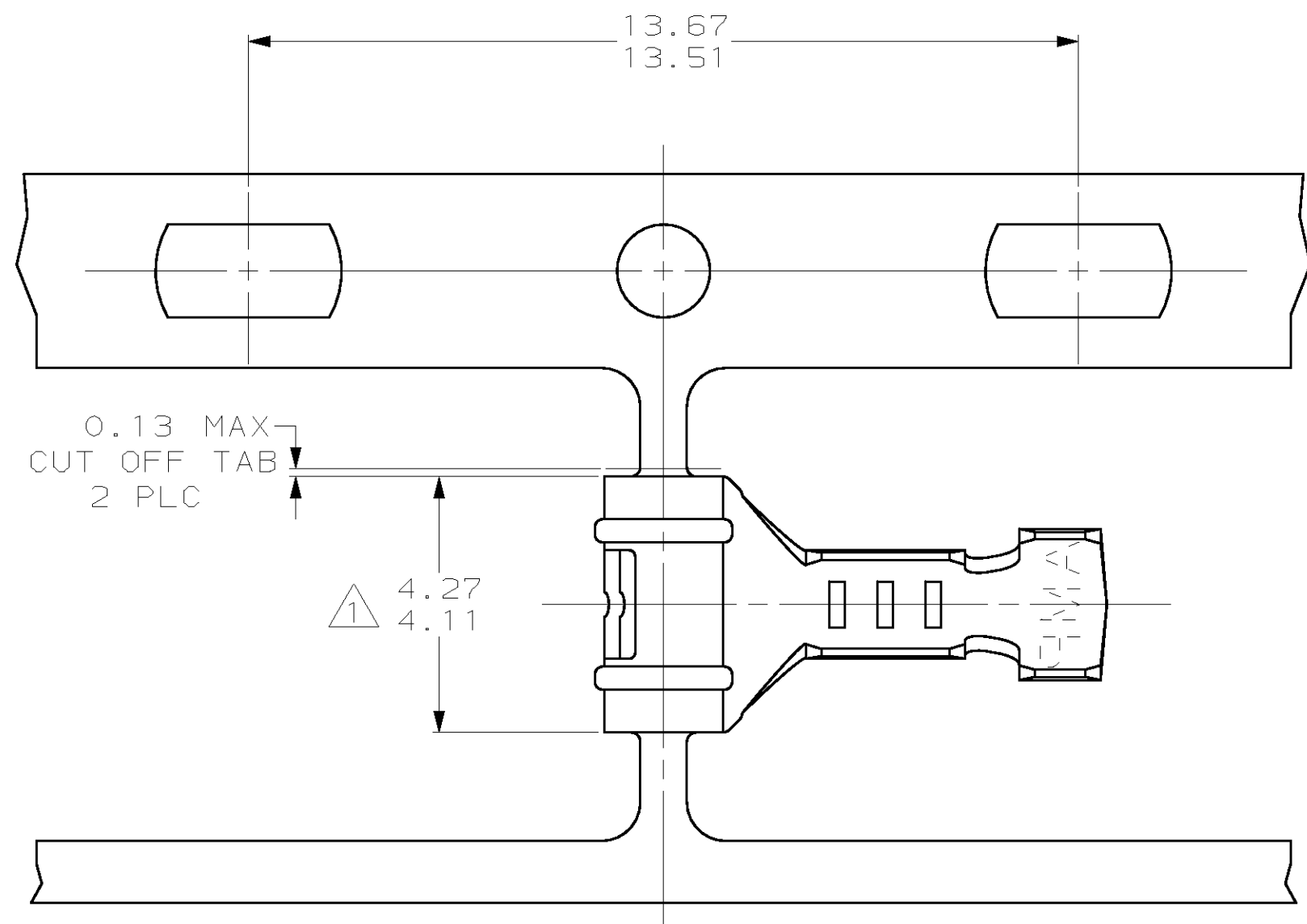
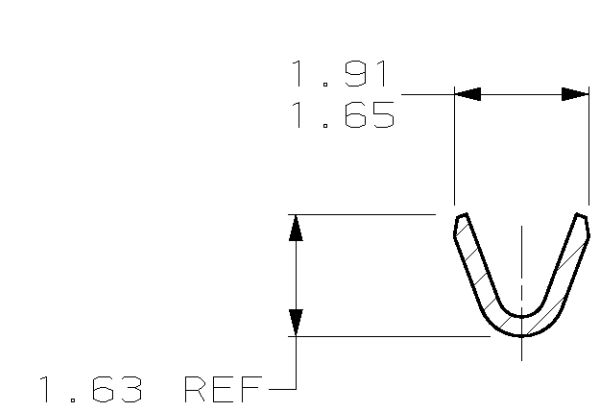
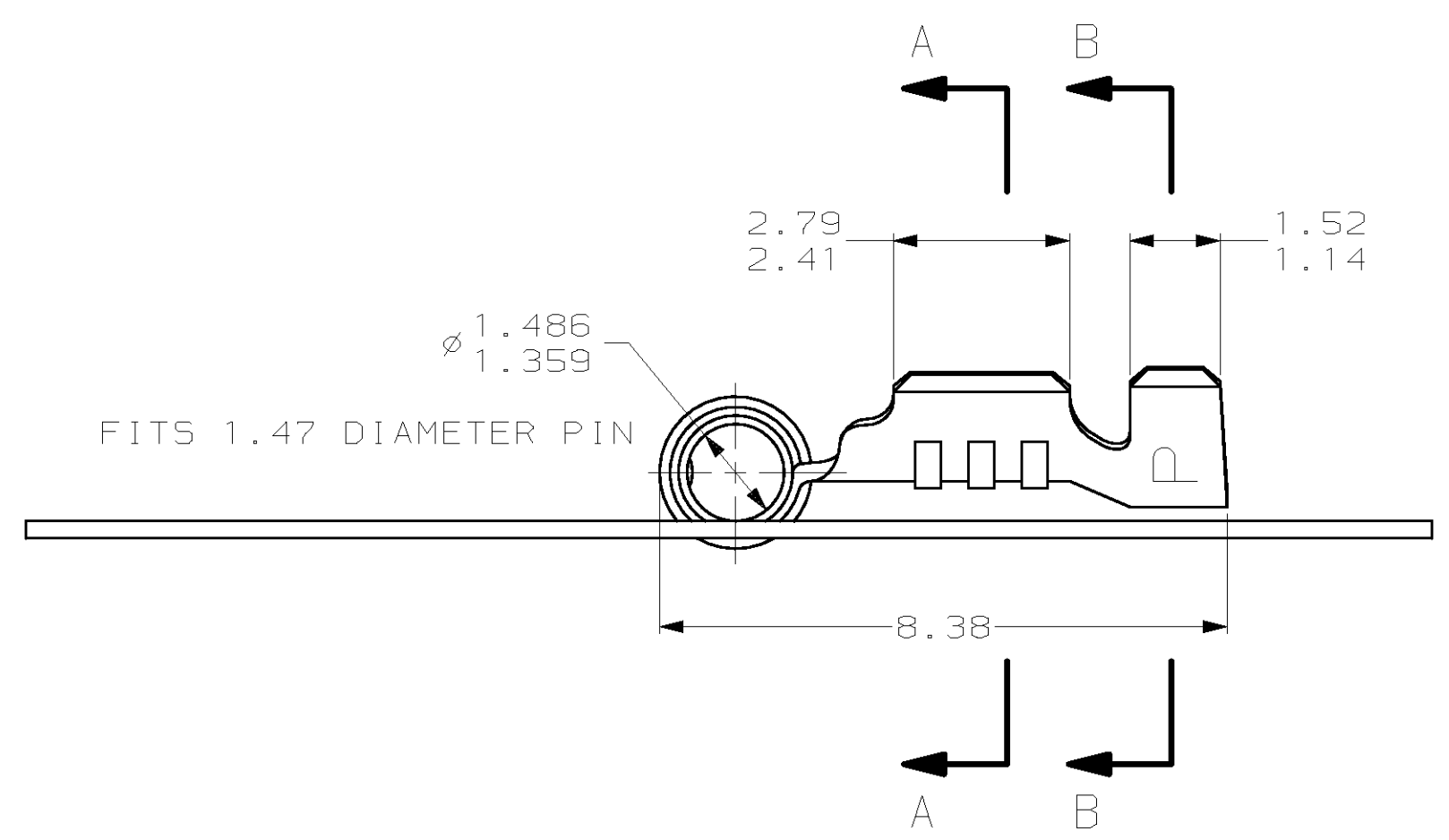


THIS DRAWING IS UNPUBLISHED. RELEASED FOR PUBLICATION
 (C) COPYRIGHT 19 BY AMP INCORPORATED. ALL RIGHTS RESERVED.

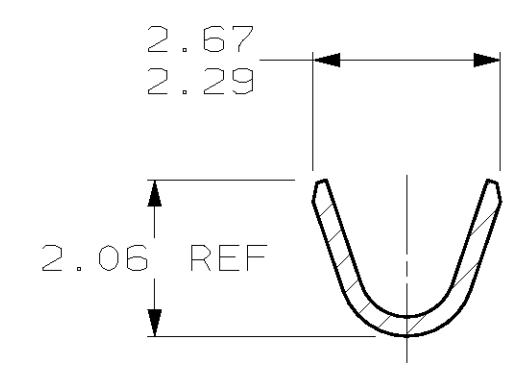
LOC	DIST	REVISIONS			
P	LTR	DESCRIPTION	DATE	DWN	APVD
CM	52	E	REV & REDWN PER EC 0L30-0125-97	6-3-97	TB RS



- 1. 0.00038 MIN SELECTIVE GOLD PLATING ON INSIDE OF RECEPTACLE OVER NICKEL OVER ALL UNDERPLATE.
- 2. WIRE RANGE: 0.12 - 0.4 MM² (26 - 22 AWG)
- 3. INSULATION RANGE: 0.89 - 1.65



SECTION A-A

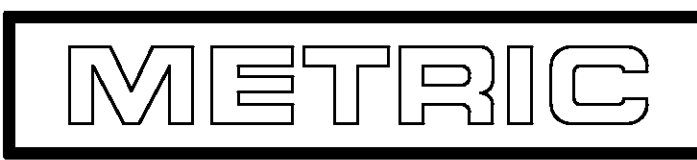


SECTION B-B

PRE-TIN	0.25 PH BRZ	61513-2
Δ	0.25 BE COPPER	61513-1
FINISH	MATERIAL	PART NUMBER

1.359	.0535	1.91	.075	4.11	.162	-	-
1.14	.045	1.65	.065	2.79	.110	-	-
0.89	.035	1.63	.064	2.67	.105	13.67	.538
0.25	.010	1.52	.060	2.41	.095	13.51	.532
0.13	.005	1.486	.0585	2.29	.090	8.38	.330
0.00038	.000015	1.47	.058	2.06	.081	4.27	.168
MM	IN	MM	IN	MM	IN	MM	IN

CONVERSION TABLE



THIS DRAWING IS A CONTROLLED DOCUMENT.

DIMENSIONS: mm	TOLERANCES UNLESS OTHERWISE SPECIFIED:	DWN T. BECK 6-03-97	AMP Incorporated Harrisburg, PA 17105-3608
	0 PLC ±	CHK R. SWING 6-03-97	
	1 PLC ±	APVD A. BEDDICK 6-17-97	
	2 PLC ±0.13	PRODUCT SPEC 108-1025	
MATERIAL SEE TABLE	FINISH SEE TABLE	APPLICATION SPEC 114-1008	NAME RECEPTACLE, .058 DIAMETER, 26-22 AWG, .035-.065 INSULATION, RIGHT ANGLE, P.C. CONTACT
		WEIGHT -	SIZE A2 CAGE CODE 00779 DRAWING NO. 61513 RESTRICTED TO
		CUSTOMER DRAWING	SCALE 10:1 SHEET 1 OF 1 REV F