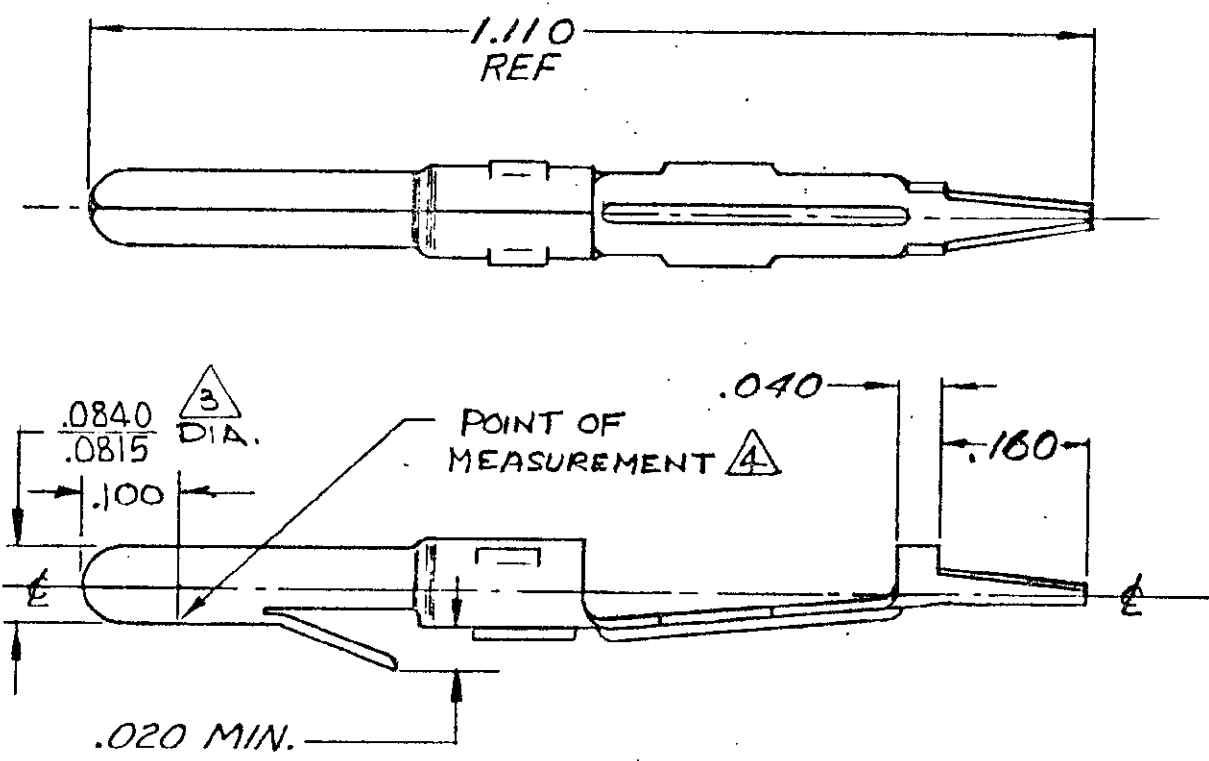


SHEET 1 OF 2
 NUMBER
 61518



1. TERMINAL SUPPLIED IN INDIVIDUAL FORM, NOT AS CONTINUOUS STRIP.
2. PARTS COMPLY WITH AMP SOLDERABILITY SPEC 109-11-3
- △3 .0815/.0845 DIA OVER .200 MIN. LENGTH.
- △4 .000030 GOLD OVER .000050 NICKEL.

PART NO.	MATERIAL & FINISH
61518-1.	.012 PHOS. BRZ PRE-TIN

DIMENSIONS IN INCHES. DO NOT SCALE PRINT.

©1969 BY AMP INCORPORATED, ALL RIGHTS RESERVED. AMP PRODUCTS COVERED BY PATENTS AND/OR PATENTS PENDING.

CUSTOMER COPY
REFERENCE ONLY

MATERIAL AND FINISH
SEE TABLE



AMP INCORPORATED
HARRISBURG, PENNA.

CLASS

R	REV PER EC 0730-0142-94	RV	RS	3/15/69
TR	REVISION RECORD	ECN	CR	DATE

WIRE — RANGE — INSULATION TYPE
 — — —

TOLERANCE EXCEPT AS NOTED ± .015 ± 1° 0'

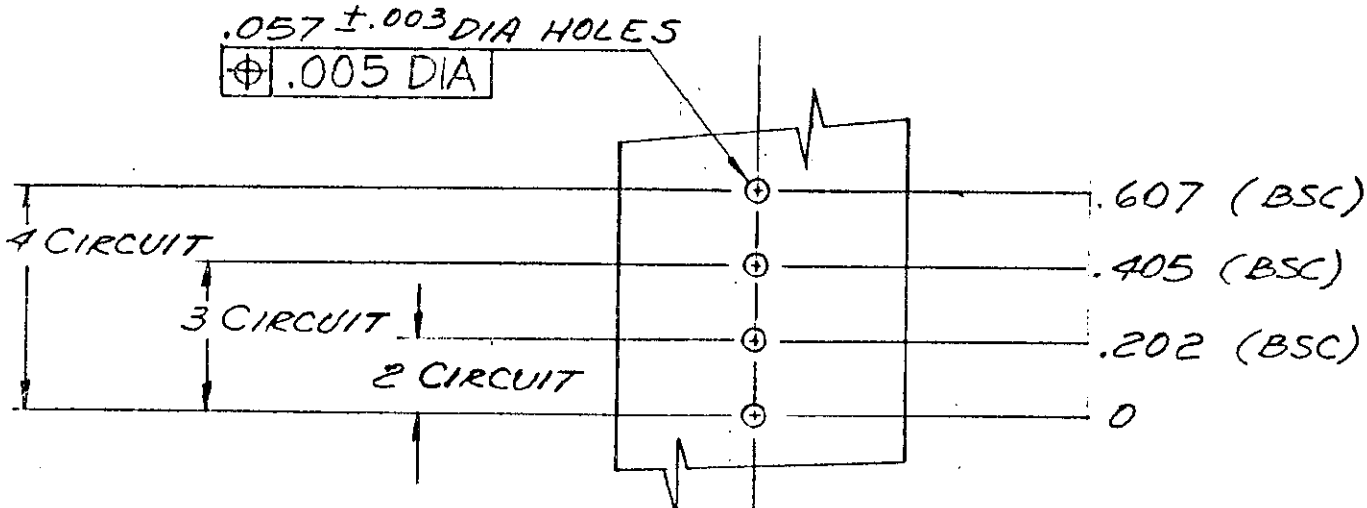
SCALE 5x

NO. 61518

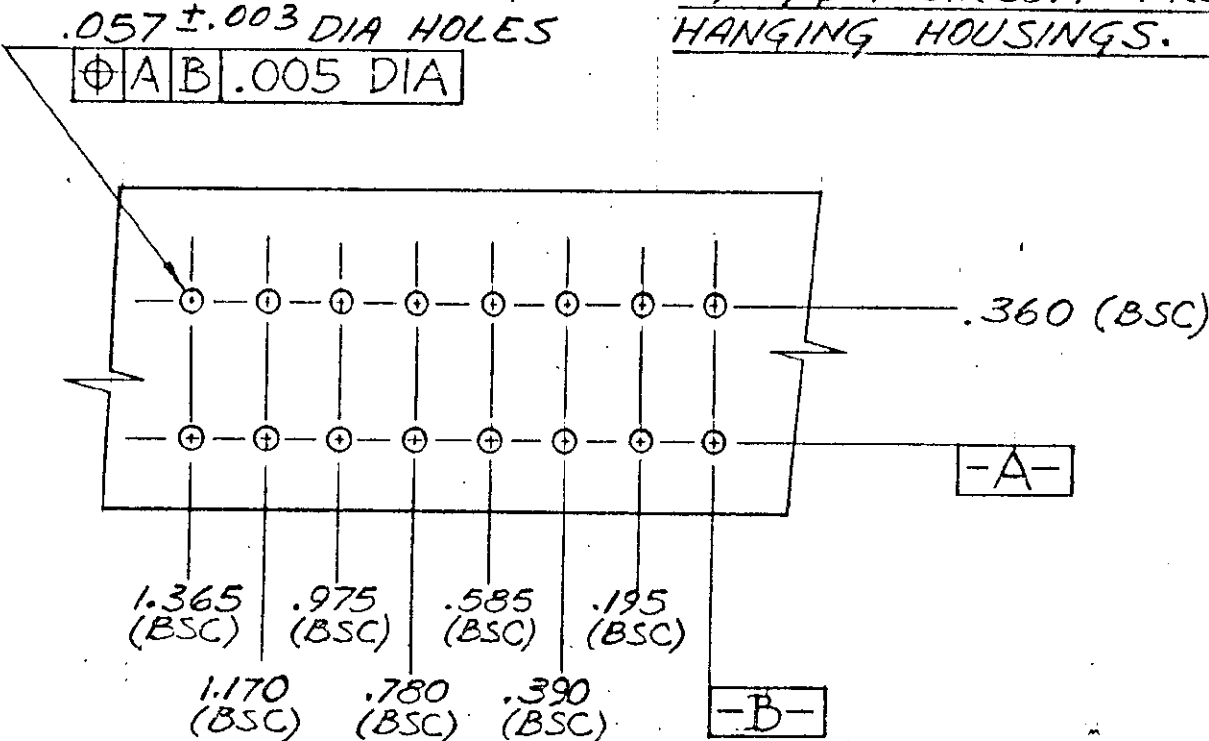
DR **JIM KUNKLE**
CHK **[Signature]**
DATE **7/21/69**

NAME **MATE-N-LOK PIN WITH P.C. BOARD TAB**

SHEET 2 OF 2
 NUMBER
 61518



P.C. BOARD LAYOUT FOR 2, 3, & 4 CIRCUIT FREE-HANGING HOUSINGS.



P.C. BOARD LAYOUT FOR 6, 8, 10, 12, & 16 CIRCUIT MOTOR MOUNT HOUSINGS.

DIMENSIONS IN INCHES. DO NOT SCALE PRINT.

SEE SHEET 1				DATE	NO.	REV.	BY
				6-2-70			JIM KUNKLE
CHK	APP	DATE	BY	TOLERANCE EXCEPT WHERE SHOWN OTHERWISE			
Humble 6-9-70	Humble 6-9-70			± .015	± .001	C-1	CU/IN

©1970 BY AMP INCORPORATED. ALL RIGHTS RESERVED. AMP PRODUCTS COVERED BY PATENTS AND/OR PATENTS PENDING

CUSTOMER COPY REFERENCE ONLY



AMP INCORPORATED
HARRISBURG, PENNA.

CLASS — # —
WIRE — RANGE — INSULATION TYPE — # —

SCALE: 1" = 1" 0' C-1
 NO. SHEET 2 OF 2
 NAME: RECOMMENDED HOLE LOCATIONS FOR MOUNTING MATE-N-LOK HOUSINGS