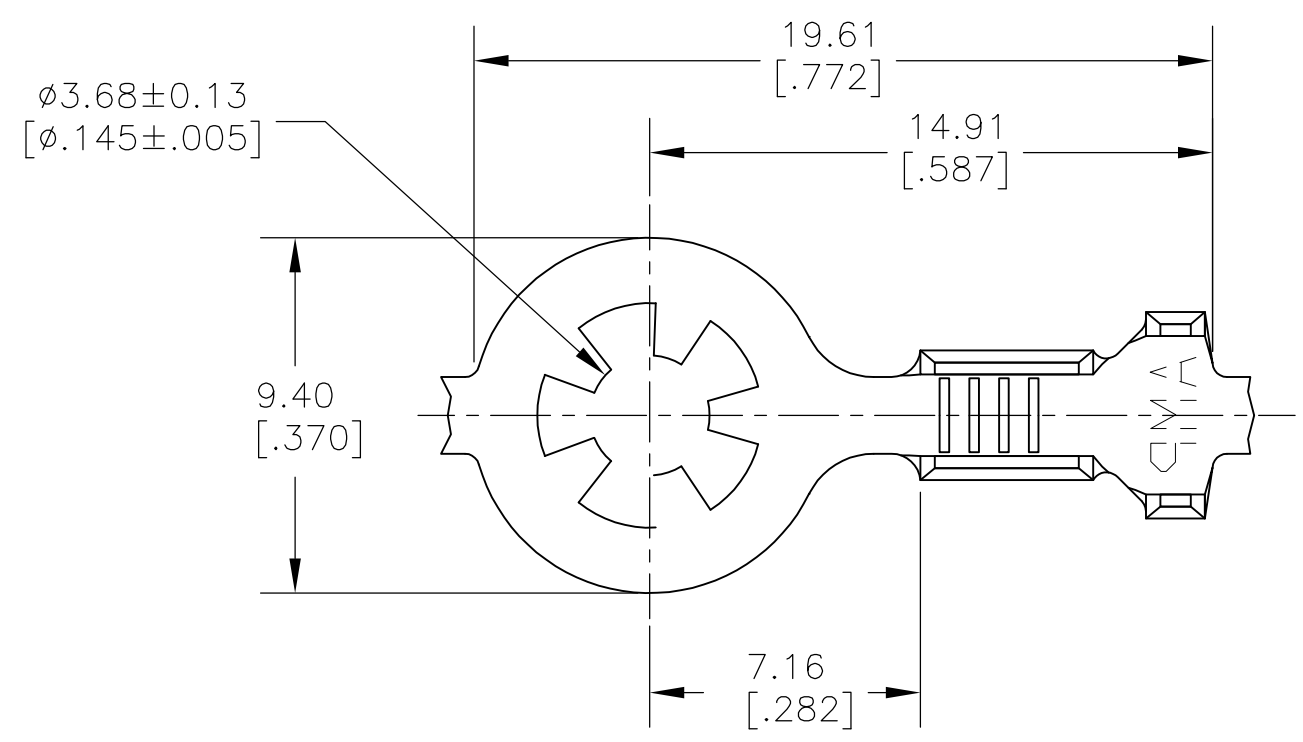


THIS DRAWING IS UNPUBLISHED. RELEASED FOR PUBLICATION  
 © COPYRIGHT - By - ALL RIGHTS RESERVED.

REVISIONS					
P	LTR	DESCRIPTION	DATE	DWN	APVD
G1		REVISED PER ECR-16-010133	14JUL2016	NK	DC

D

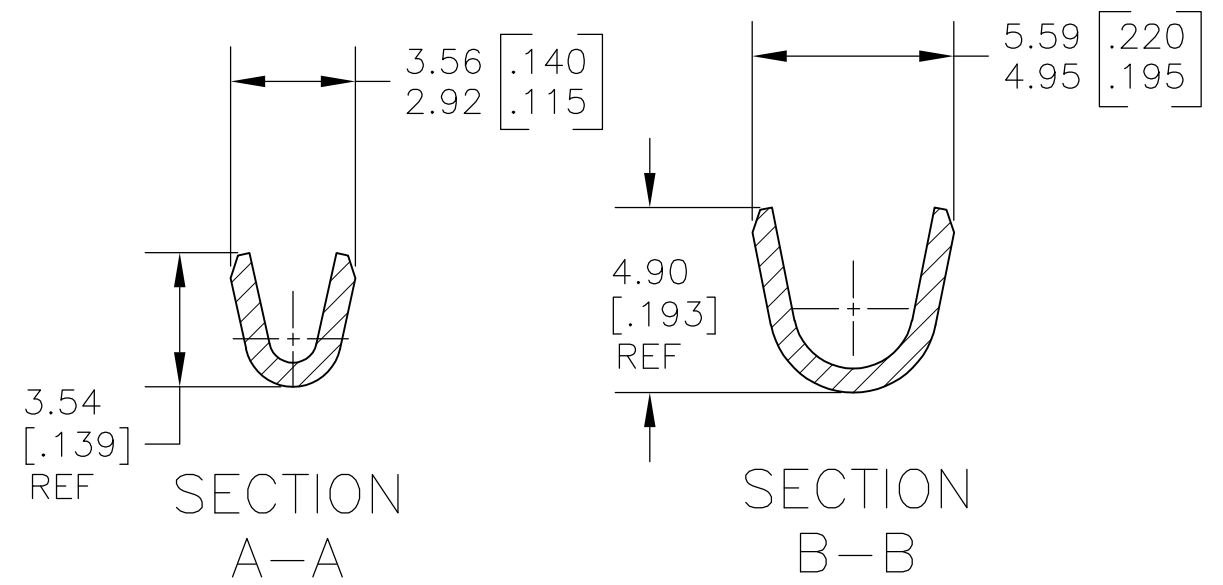
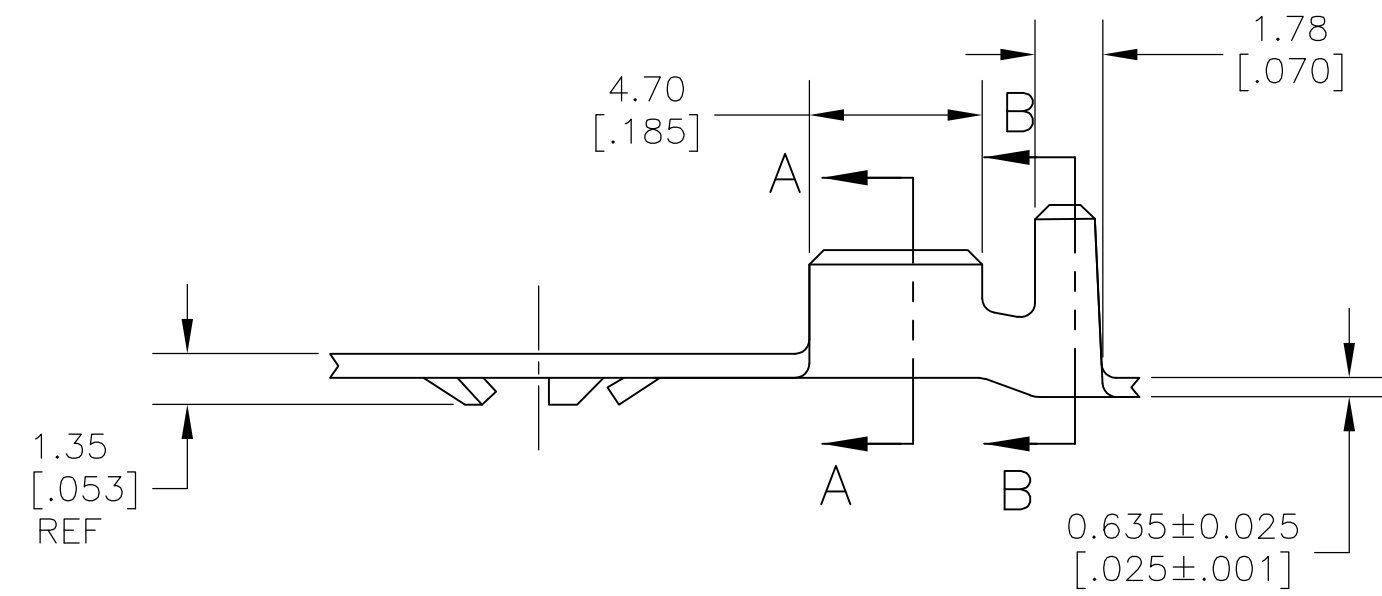
D



- 1 CONTINUOUS STRIP ON REELS.
- 3 WIRE SIZE 0.3-1.3mm<sup>2</sup> [22-16] AWG.
- 4 INSULATION RANGE 2.54-3.56 [0.100-.140].

C

C



B

B

61588-1  
 PART NO

A

A

F OR O OR OV	4.57 [.180] (F AND O)	6.35 [.250]	F	2.54 [.100]	2.11 [.083]	1.3mm <sup>2</sup> [16]	THIS DRAWING IS A CONTROLLED DOCUMENT.	DWN	jr_ruth	19JAN08	TE Connectivity RING	NAME			
	3.94 [.155] (OV)				1.96 [.077]	0.8mm <sup>2</sup> [18]		CHK	D DECKER	19JAN09					
					1.85 [.073]	0.5mm <sup>2</sup> [20]		APVD	D DECKER	19JAN09			PRODUCT SPEC		
					1.80 [.071]	0.3mm <sup>2</sup> [22]		APPLICATION SPEC							
TYPE	WIDTH	STRIP LENGTH ±0.38 [.015]	TYPE	WIDTH	HEIGHT ±0.05 [.002]	WIRE	MATERIAL	FINISH	WEIGHT		SIZE	CAGE CODE	DRAWING NO	RESTRICTED TO	
INSUL BARREL CRIMP			WIRE BARREL CRIMP				#4 HARD BRASS	TIN	-		A3	00779	C-61588		
CUSTOMER DRAWING										SCALE	5:1	SHEET	1 OF 1	REV	G1