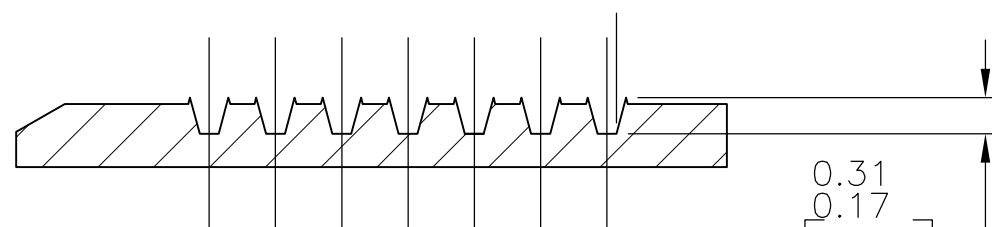
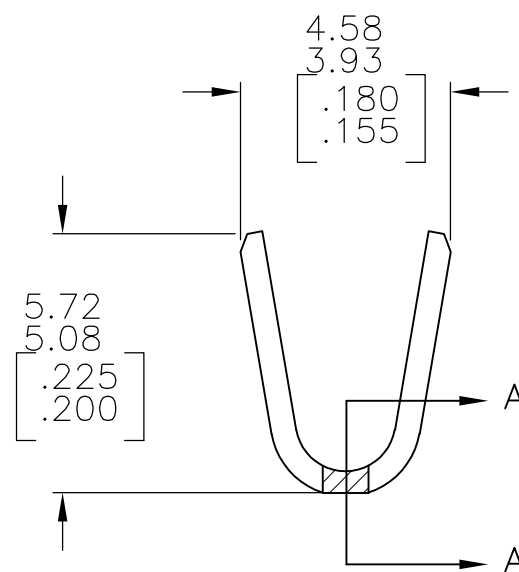
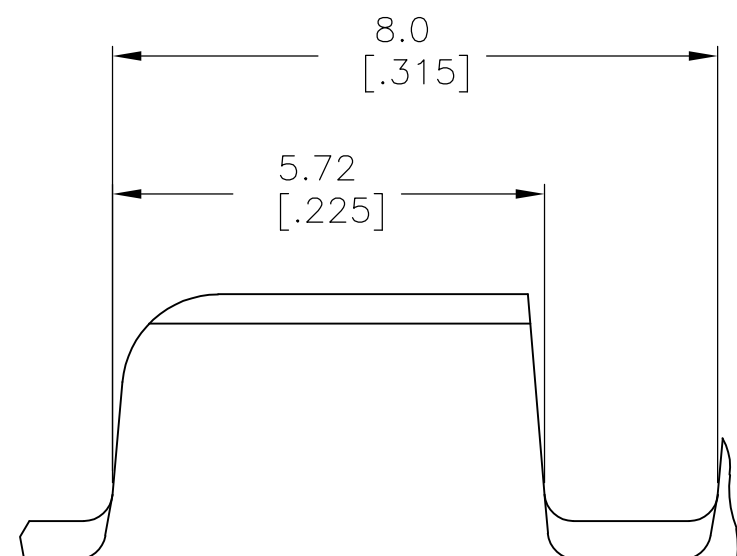
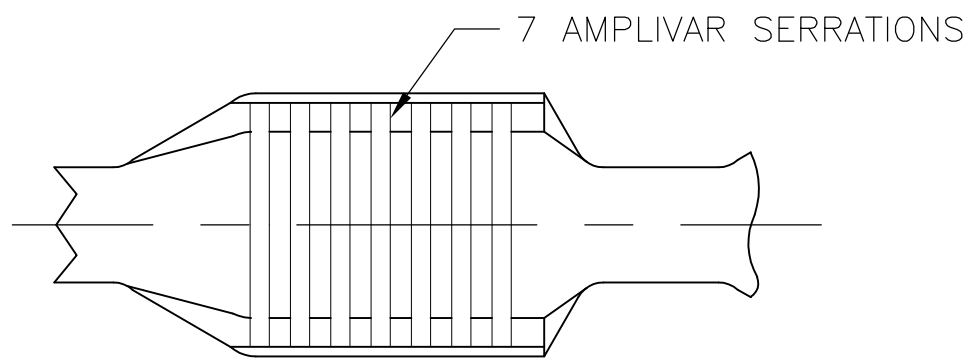


THIS DRAWING IS UNPUBLISHED. RELEASED FOR PUBLICATION
 © COPYRIGHT BY TYCO ELECTRONICS CORPORATION. ALL RIGHTS RESERVED.

LOC	DIST	REVISIONS			
P	LTR	DESCRIPTION	DATE	DWN	APVD
AF	50	N1	REVISED PER ECR-10-007904	16APR10	HMR GP



SECTION A-A
SCALE 20:1

7 PLACES

- 1 PRODUCT PROVIDED IN STRIP FORM ON REELS; BREAKS MAY BE PRESENT.
- 2 DIMENSIONS IN BRACKETS ARE IN INCHES.
- 3 FOR ADDITIONAL INFORMATION, SEE APPLICATION SPEC. 114-2002.
- 4 CRIMP WIDTH: .140 F TYPE (AMPLIVAR PIGTAIL)
 CRIMP HEIGHT (±.002)=(TOTAL CMA+14600)/243,900
 CRIMP WIDTH: .180 F TYPE (AMPLIVAR PIGTAIL)
 CRIMP HEIGHT (±.002)=(TOTAL CMA+16100)/305,400
 GENERAL APPLICATION GUIDELINES MUST BE FOLLOWED AS SPECIFIED IN CATALOG #82221
 FOR APPLICATOR INFORMATION CALL:1-800-722-1111
 FOR PRODUCT INFORMATION CALL:1-800-522-6752

OBSOLETE	REVERSE	TIN PLATE	62001-3
	STANDARD	TIN PLATE	62001-2
	STANDARD	-	62001-1
	REELING	FINISH	PART NO

THIS DRAWING IS A CONTROLLED DOCUMENT.		DWN RAGHAVENDRA 27JUN06	Tyco Electronics Corporation Harrisburg, PA 17105-3608	
DIMENSIONS: mm [INCHES]	TOLERANCES UNLESS OTHERWISE SPECIFIED:	CHK G.D.PORTA	NAME	
	0 PLC ± -	APVD G.D.PORTA	SPLICE, AMPLIVAR 3000 - 7000 CMA	
	1 PLC ± -	PRODUCT SPEC		
	2 PLC ± -	APPLICATION SPEC		
	3 PLC ± 0.38 [.015]	WEIGHT -	SIZE A3	CAGE CODE 00779
	4 PLC ± -		DRAWING NO C-62001	RESTRICTED TO -
	ANGLES ± 1° 0'		SCALE 10:1	SHEET 1 OF 1
MATERIAL REF 0.51±0.03 (.020±.001) BRASS	FINISH SEE TABLE	CUSTOMER DRAWING		REV N1