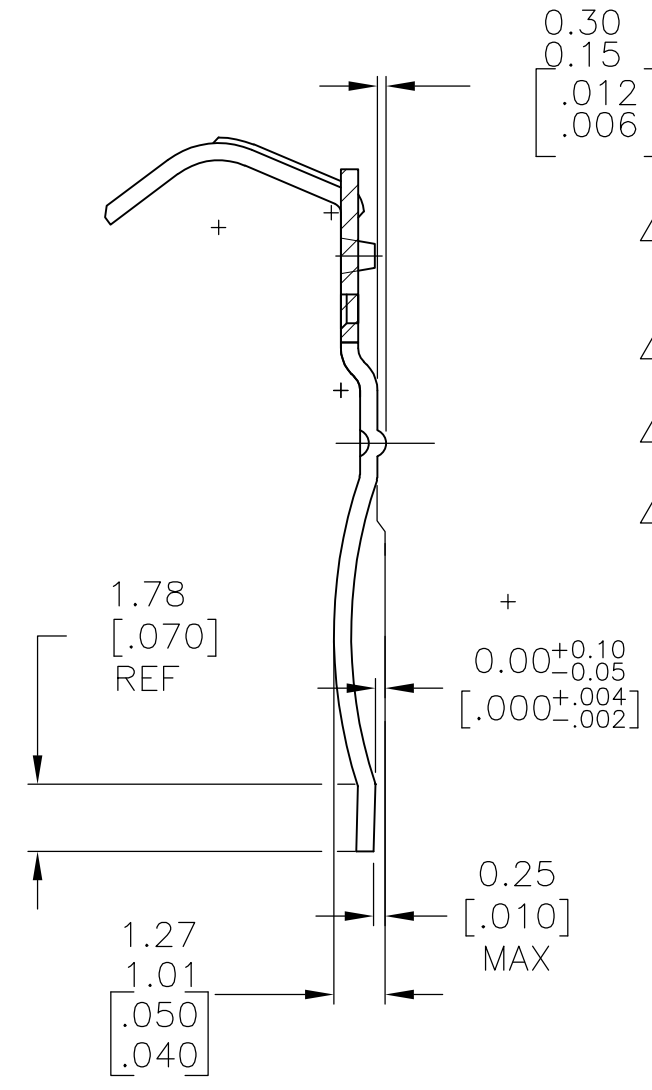
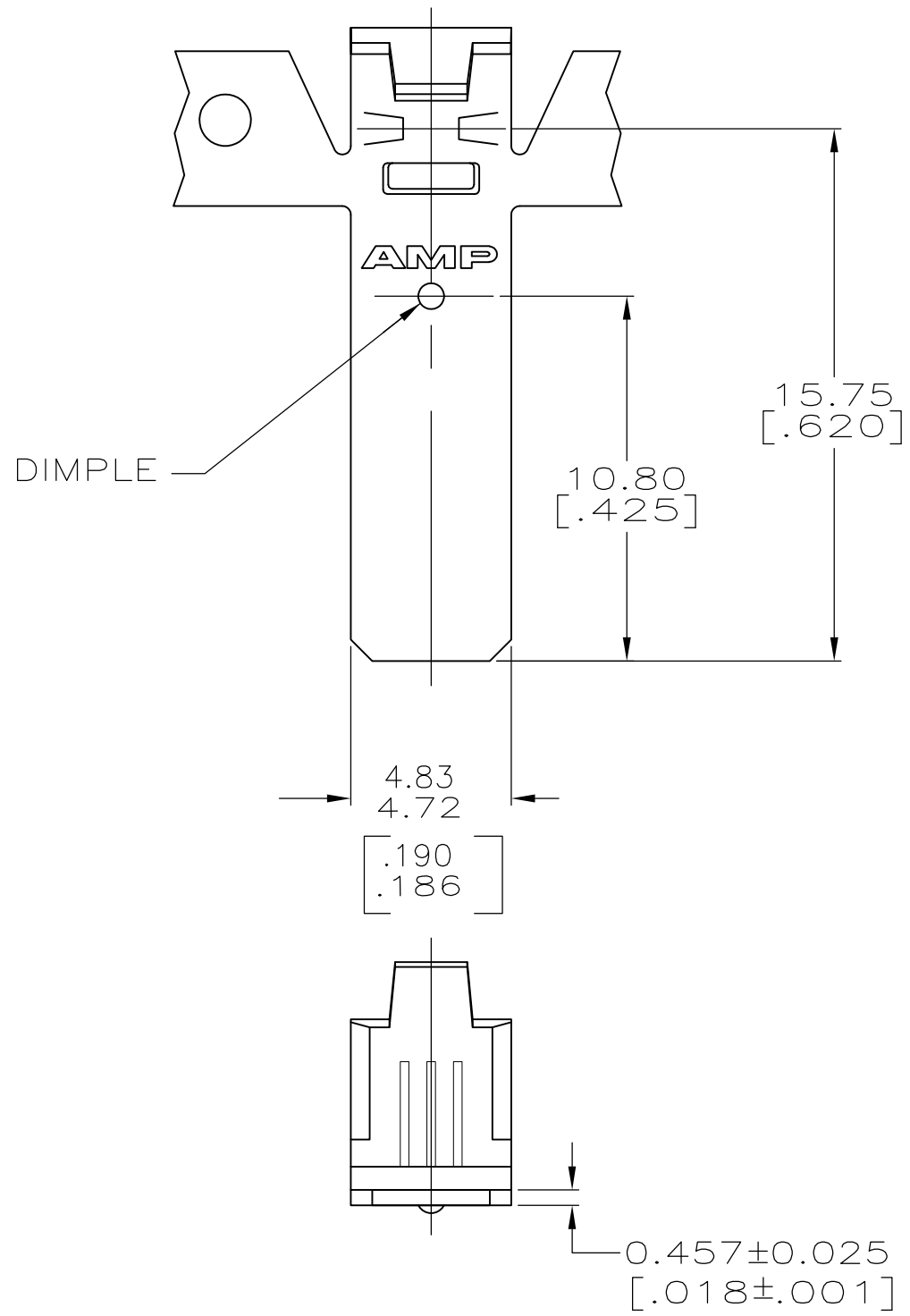


THIS DRAWING IS UNPUBLISHED. RELEASED FOR PUBLICATION
 © COPYRIGHT BY TYCO ELECTRONICS CORPORATION. ALL RIGHTS RESERVED.

LOC	DIST	REVISIONS					
AF	50	P	LTR	DESCRIPTION	DATE	DWN	APVD
			D2	REVISED PER ECR-07-029763	04JAN08	HMR	GP



- 1 PRODUCT PROVIDED IN STRIP FORM ON SPLICE FREE REELS.
- 2 0.00381 [.000150] MIN SILVER PLATE.
- 3 0.00508-0.01016 [.0002-.0004] SILVER PLATE.
- 4 PRELIMINARY - NOT FOR PRODUCTION.

LOOSE PIECE	3	#20 - #14 AWG	4	62008-6
1	3	#20 - #14 AWG	4	62008-5
LOOSE PIECE	-	#20 - #14 AWG	4	62008-4
1	2	#20 - #14 AWG		62008-2
1	-	#20 - #14 AWG		62008-1
STYLE	FINISH	WIRE RANGE	PART NUMBER	

THIS DRAWING IS A CONTROLLED DOCUMENT.		DWN 29JAN1999 PHILLIP M FORTNEY	Tyco Electronics Corporation Harrisburg, PA 17105-3608	
DIMENSIONS: mm		CHK 29JAN1999 JEFF R RUTH	NAME BRUSH CONTACT, TAB-LOCK RIGHT HAND	
TOLERANCES UNLESS OTHERWISE SPECIFIED:		APVD 29JAN1999 DON DECKER	PRODUCT SPEC	
0 PLC ± -		APPLICATION SPEC		
1 PLC ± -		WEIGHT -		
2 PLC ± 0.25[.010]		SIZE A3 CAGE CODE 00779 DRAWING NO C-62008 RESTRICTED TO -		
3 PLC ± -		SCALE 5:1 SHEET 1 OF 1 REV D2		
4 PLC ± -		CUSTOMER DRAWING		
ANGLES ± -				
FINISH SEE TABLE				
MATERIAL T3 PHOS BRONZE				