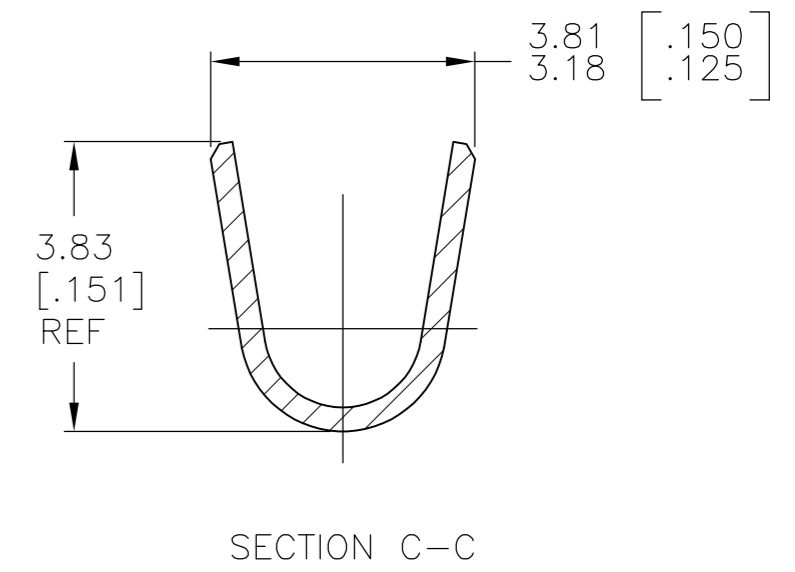
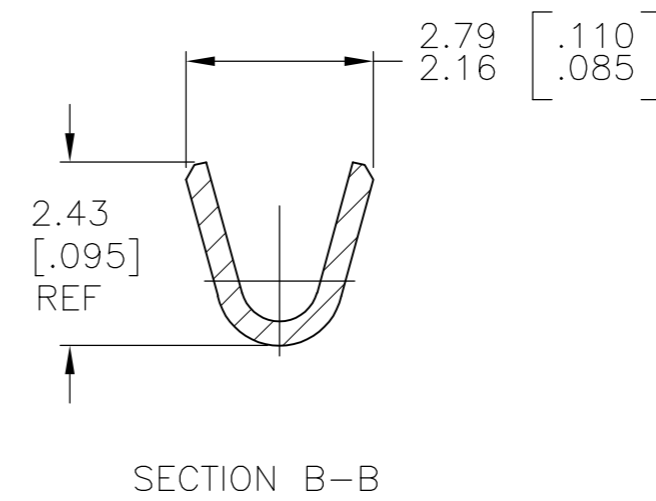
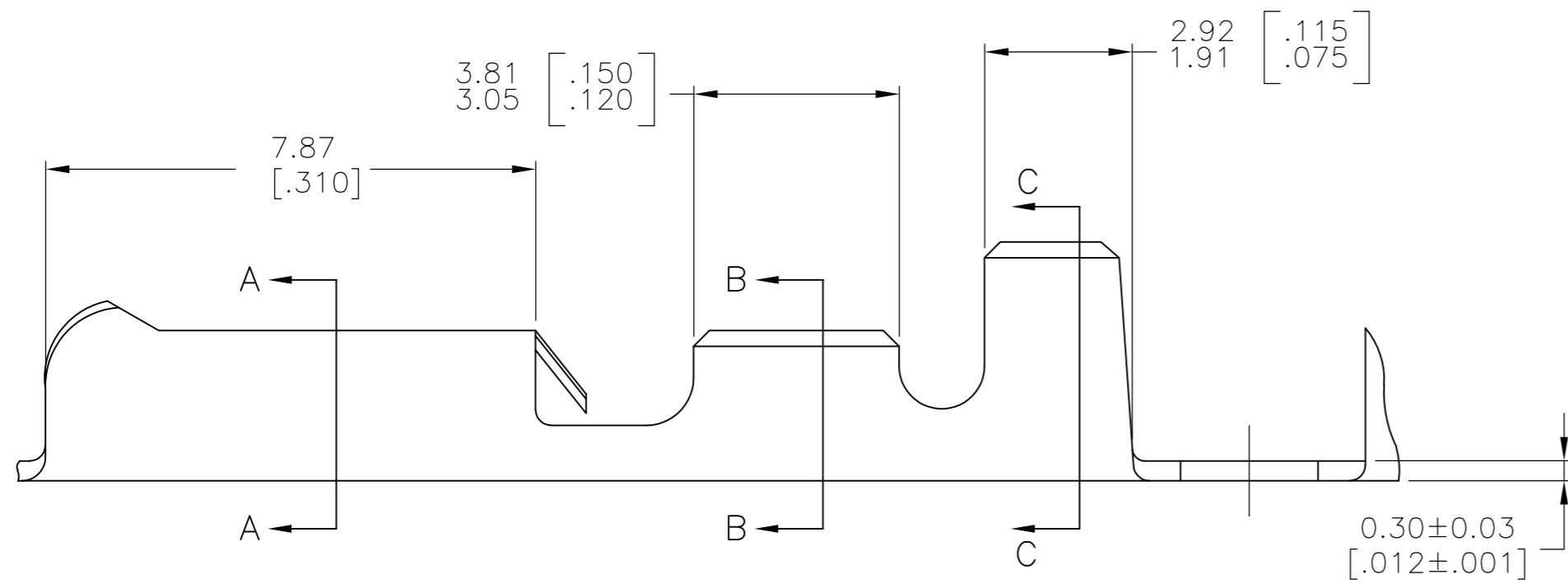
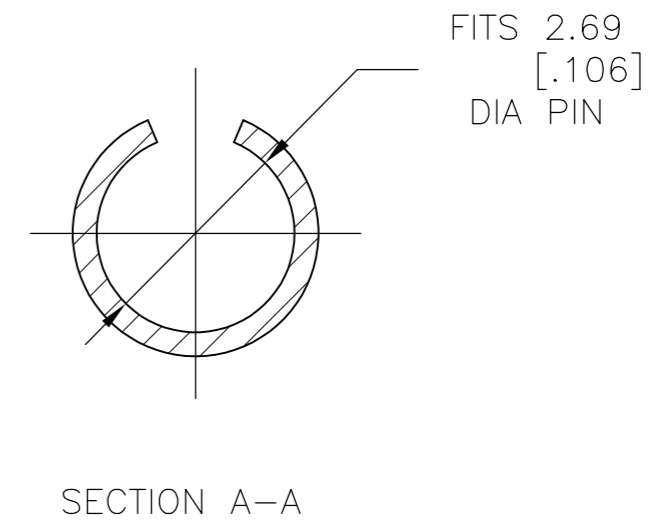
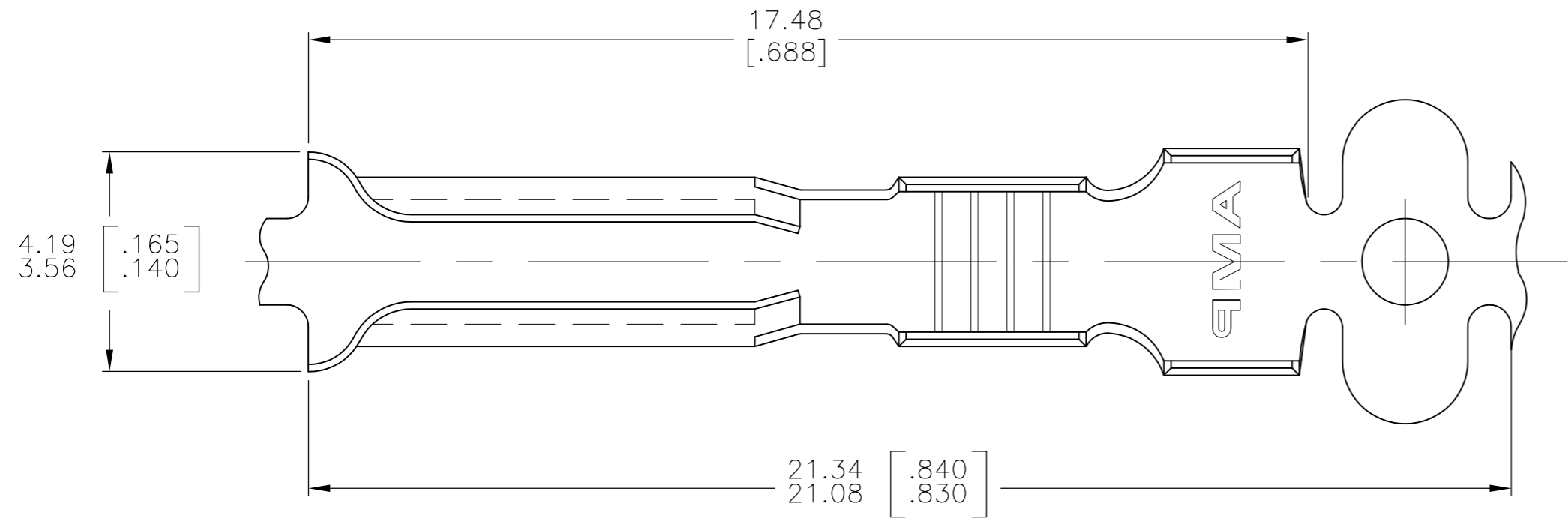


THIS DRAWING IS UNPUBLISHED. RELEASED FOR PUBLICATION
 © COPYRIGHT BY TYCO ELECTRONICS CORPORATION. ALL RIGHTS RESERVED.

LOC		DIST		REVISIONS				
P	LTR	DESCRIPTION			DATE	DWN	APVD	
AF	50	A1	REDRAWN PER ECR-07-007776			23MAY07	HMR	DD

- 1 CONTINUOUS STRIP ON REELS
- 2 INSULATION RANGE: 1.52 [.060] MAX.
- 3 WIRE RANGE: (1) 22 - 18 AWG OR
(2) 22 AWG



2.69±0.05 [.106±.002]	62402-1
PIN DIA	PART NO

THIS DRAWING IS A CONTROLLED DOCUMENT.		DWN	RAGHAVENDRA	23MAY07	tyco Electronics		Tyco Electronics Corporation	
DIMENSIONS: mm [INCHES]		CHK	DECKER D	23MAY07			Harrisburg, Pa 17105-3608	
TOLERANCES UNLESS OTHERWISE SPECIFIED:		APVD	DECKER D	23MAY07	NAME		RECEPTACLE, PIN .106 DIA	
0 PLC ± -		PRODUCT SPEC			SIZE	CAGE CODE	DRAWING NO	RESTRICTED TO
1 PLC ± -		APPLICATION SPEC			A2	00779	C=62402	-
2 PLC ± -					SCALE	10:1	SHEET	1 OF 1
3 PLC ± 0.25[.010]					REV	A1		
4 PLC ± -								
ANGLES ± -								
MATERIAL	H04 BRASS	FINISH	PRE-TIN	WEIGHT				
CUSTOMER DRAWING								