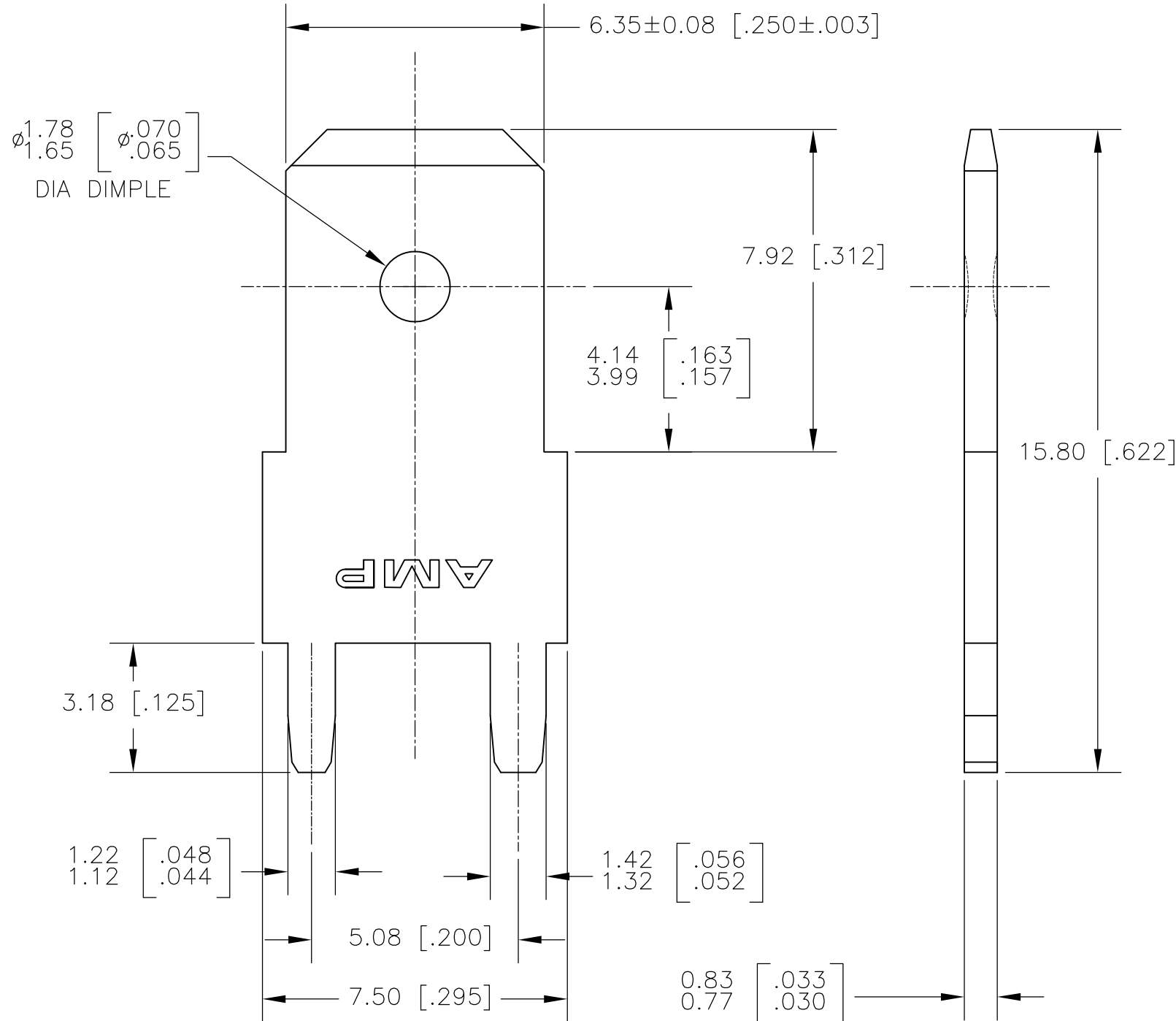


THIS DRAWING IS UNPUBLISHED. RELEASED FOR PUBLICATION  
 © COPYRIGHT - By - ALL RIGHTS RESERVED.

LOC	DIST	REVISIONS			
P	LTR	DESCRIPTION	DATE	DWN	APVD
AF	50	S	REVISED PER ECR-13-001204	19JUN13	KH PD

D

D



C

C

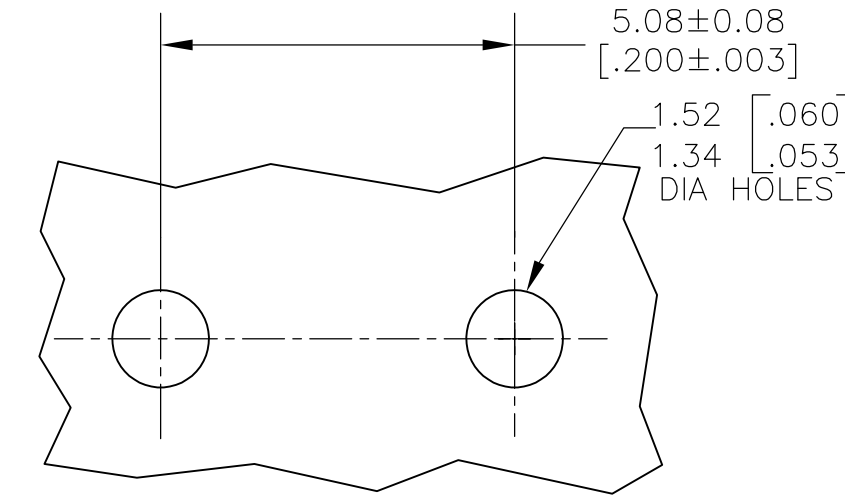
B

B

A

A

- 1 SUPPLIED IN LOOSE PIECE.
- 2 0.00381 [.000150] MIN TIN OVER  
0.00254 [.000100] MIN THK COPPER.
- 3 0.00381 [.000150] MIN SILVER OVER  
0.00254 [.000100] MIN THK COPPER.
- 4 SPECIAL PACKAGING QUANTITY
- 5 PRELIMINARY - NOT FOR PRODUCTION
- 6 0.00038 [.000015] MIN GOLD OVER  
0.00127 [.000050] MIN NICKEL.



P.C. BOARD HOLES  
SCALE 10:1

FINISH	PART NUMBER
2	9-62409-1
6	62409-4
3	62409-3
2	62409-1

THIS DRAWING IS A CONTROLLED DOCUMENT.		DWN	JR RUTH	30NOV00	
DIMENSIONS: mm(INCHES)		CHK	MS FEHER	30NOV00	
TOLERANCES UNLESS OTHERWISE SPECIFIED:		APVD	G PORTA	30NOV00	
0 PLC ± - 1 PLC ± - 2 PLC ± 0.38 [.015] 3 PLC ± - 4 PLC ± - ANGLES ± -		PRODUCT SPEC	NAME		
MATERIAL	BRASS	FINISH	SEE TABLE		TAB, FASTON, PC BOARD, 6.35 [.250] SERIES
WEIGHT		-		SIZE	A3
CUSTOMER DRAWING		CAGE CODE	00779		DRAWING NO
SCALE		8:1		DRAWING NO	
SHEET		1 of 1		RESTRICTED TO	
REV		S		-	