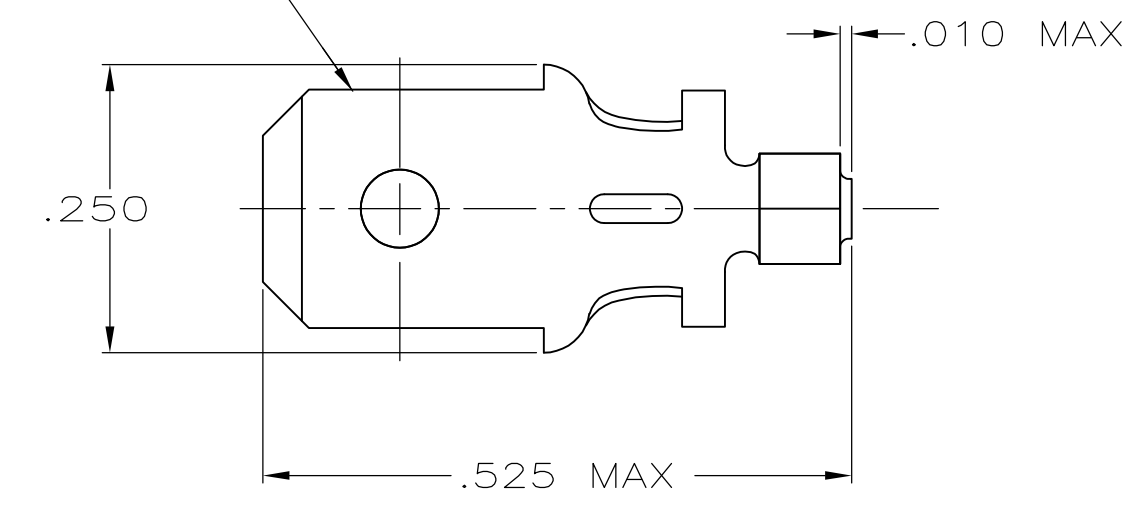


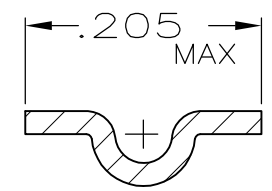
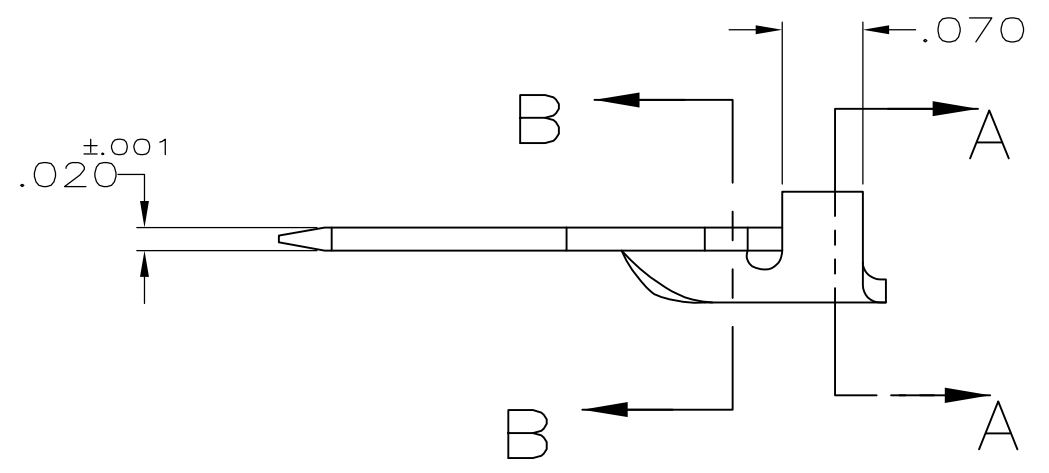
THIS DRAWING IS UNPUBLISHED. RELEASED FOR PUBLICATION  
 © COPYRIGHT - By - ALL RIGHTS RESERVED.

LOC	DIST	REVISIONS			
P	LTR	DESCRIPTION	DATE	DWN	APVD
AF	50	E	REVISED PER ECR-13-001204	20JUN13	KH PD

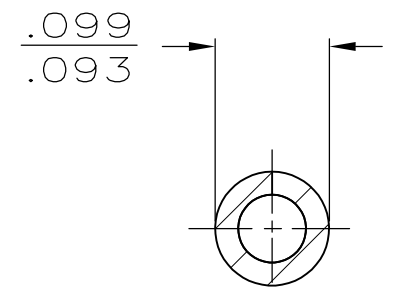
FITS .205 SERIES  
FASTON RECEPTACLE



- 1 FITS .100 / .095 DIA HOLE IN PC BOARD.
- 2 SUPPLIED IN LOOSE PIECE.



SECTION B-B



SECTION A-A

62411-1  
PART NO

THIS DRAWING IS A CONTROLLED DOCUMENT.		DWN	JR RUTH	12JUL88	<b>STE</b> TE Connectivity		
DIMENSIONS: INCHES		CHK	M FEHER	12JUL88			
		APVD	C MEYERS	12JUL88			
		PRODUCT SPEC		NAME		TAB, FASTON, PCB, .205 SERIES	
TOLERANCES UNLESS OTHERWISE SPECIFIED:		APPLICATION SPEC		SIZE	CAGE CODE	DRAWING NO	RESTRICTED TO
0 PLC ± -		-		A3	00779	C-62411	-
1 PLC ± -		-		CUSTOMER DRAWING		SCALE	6:1
2 PLC ± -		-		SHEET		1 OF 1	REV
3 PLC ± .010		-		E			
4 PLC ± -		-					
ANGLES ± -		-					
MATERIAL		FINISH					
BRASS		TIN .000150 MIN OVER COPPER					